






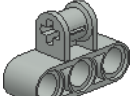

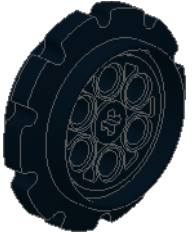


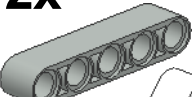


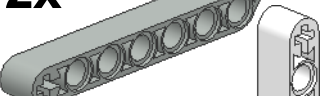
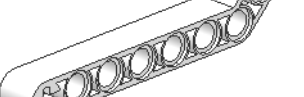
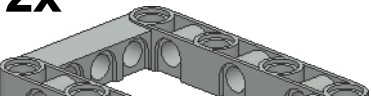

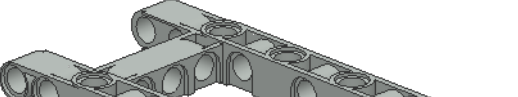
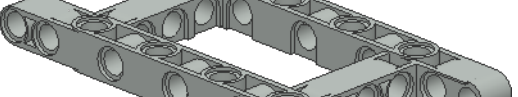

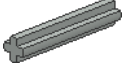



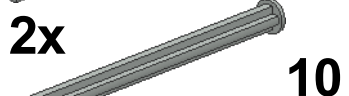





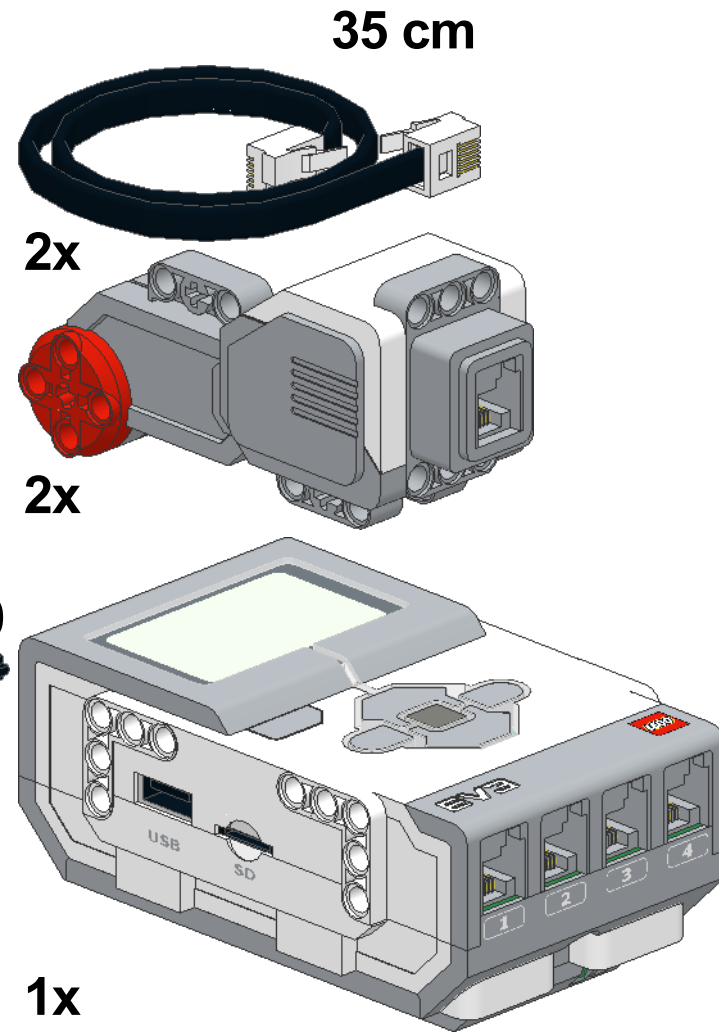


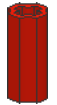
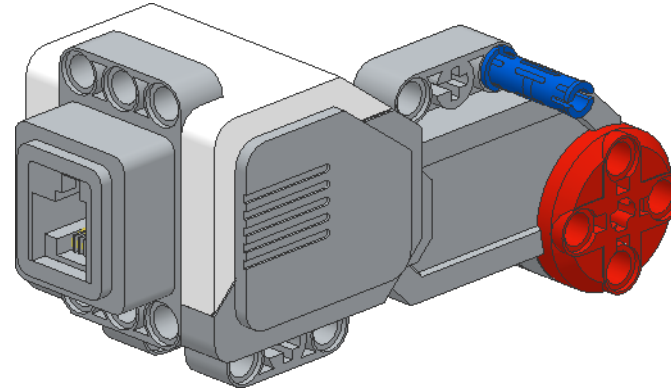
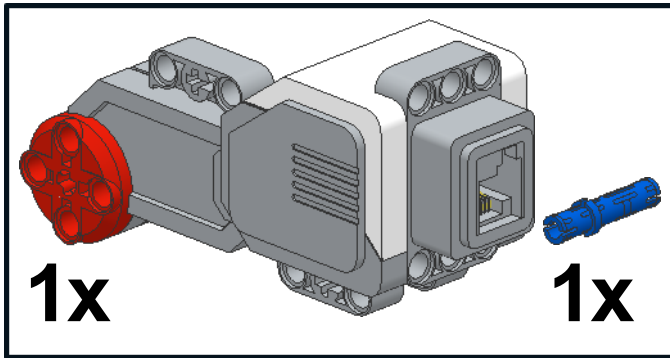


- 8x 
- 4x 
- 2x 
- 44x 
- 2x 
- 2x 
- 2x 
- 2x 
- 2x 
- 4x 
- 2x 3 
- 1x 
- 2x 5 
- 1x 
- 2x 
- 2x 
- 2x 
- 2x 
- 1x 
- 1x 
- 1x 
- 8x 3 
- 1x 4 
- 2x 4 
- 2x 7 
- 2x 8 
- 2x 10 
- 2x 3 
- 2x 3 
- 1x 3 
- 1x 3 
- 1x 

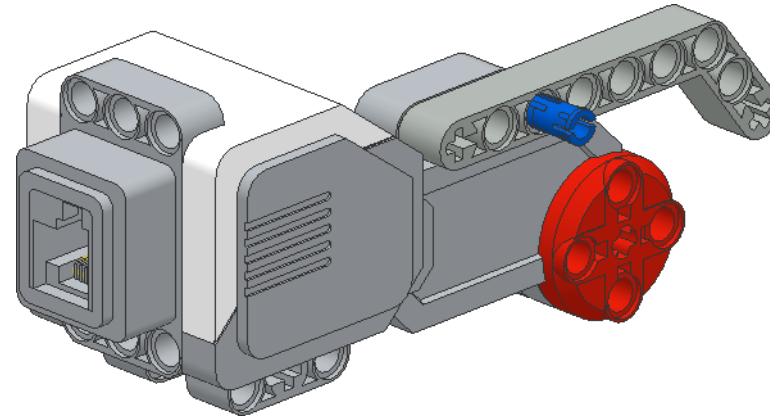
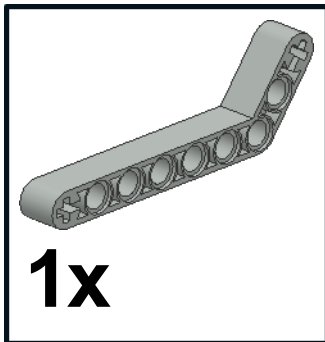


- 1x 
- 13x 
- 13x 
- 2x 

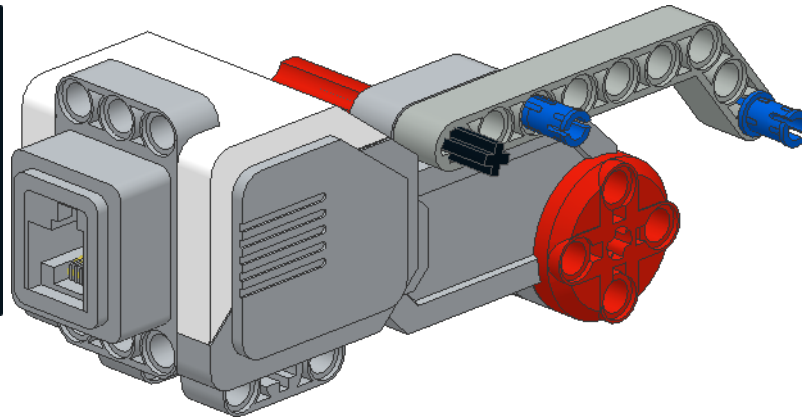
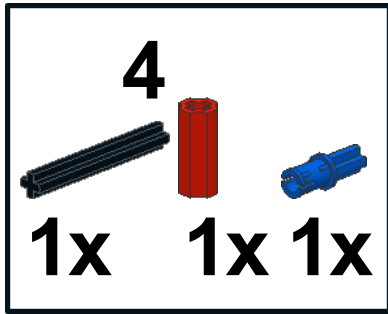
1



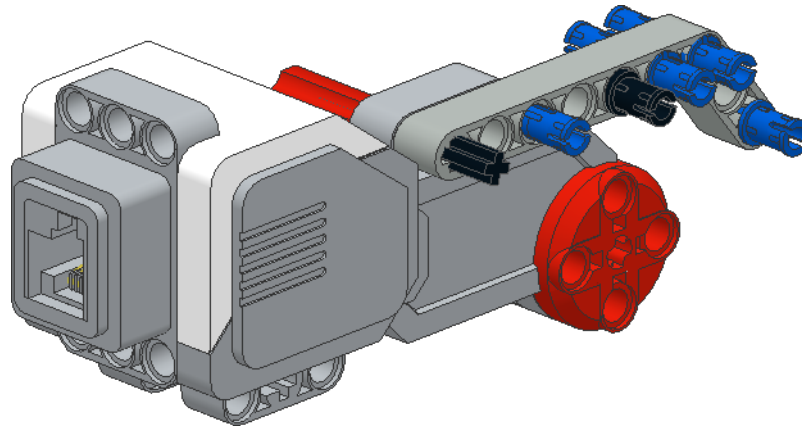
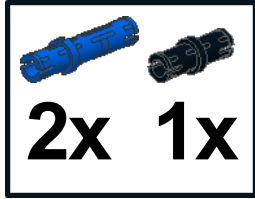
2

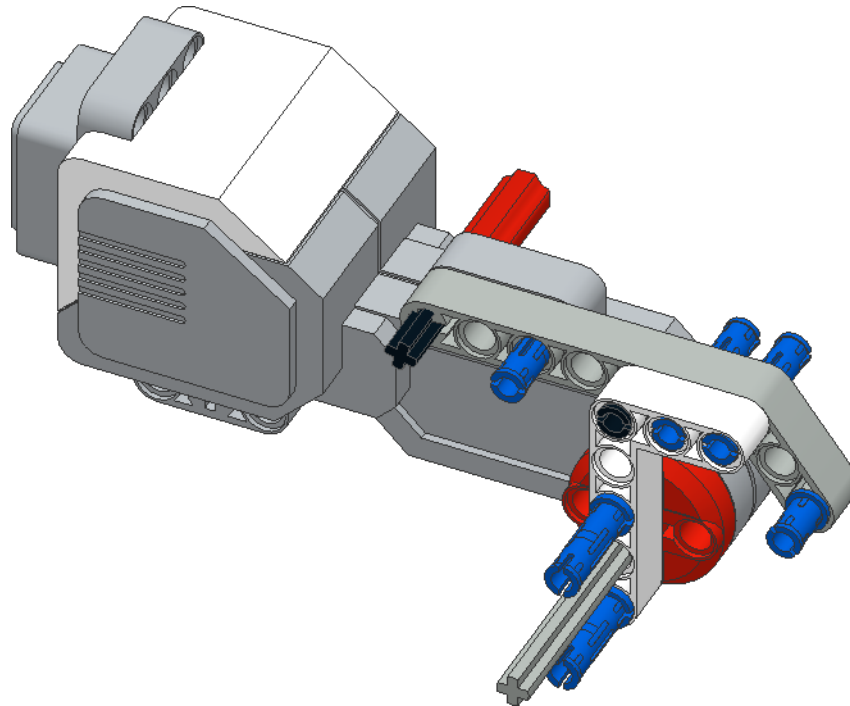
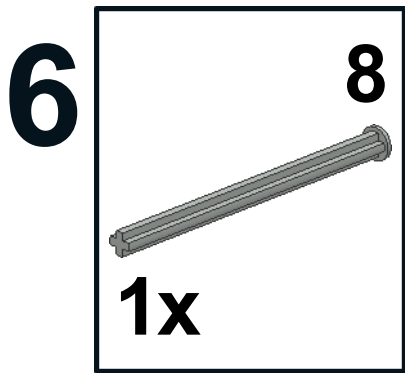
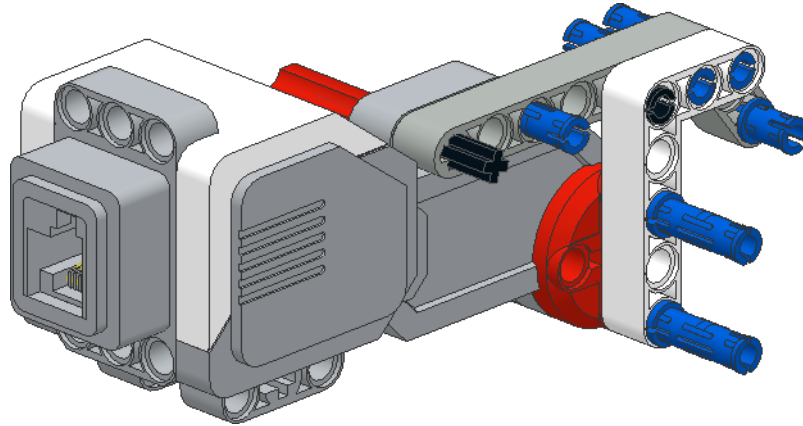
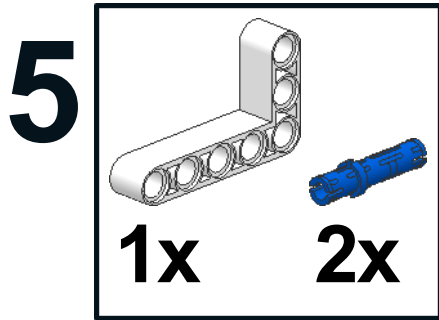


3

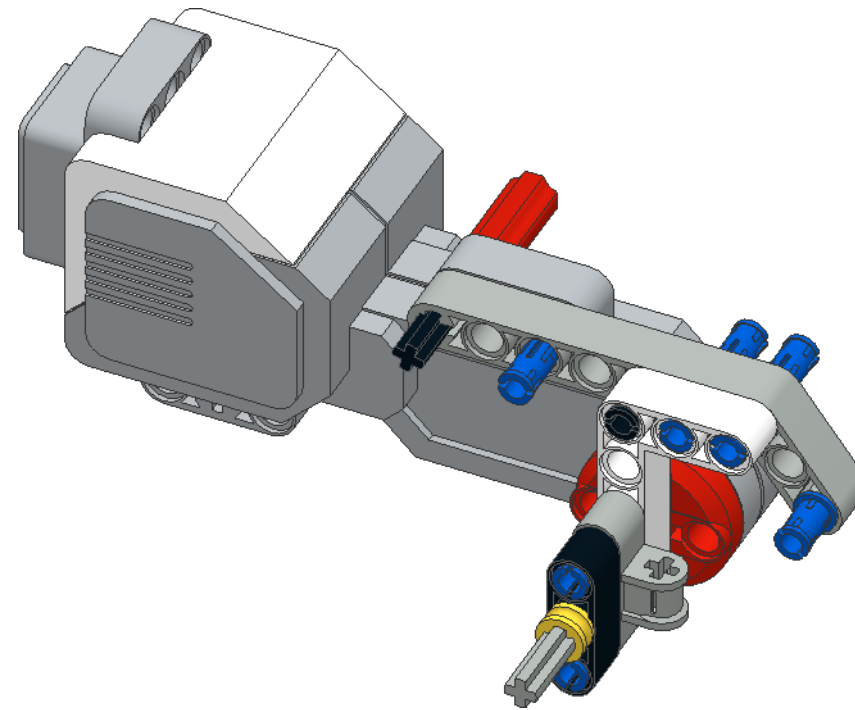
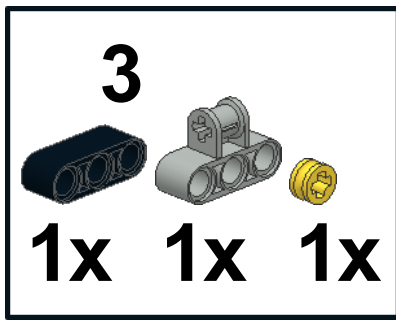


4

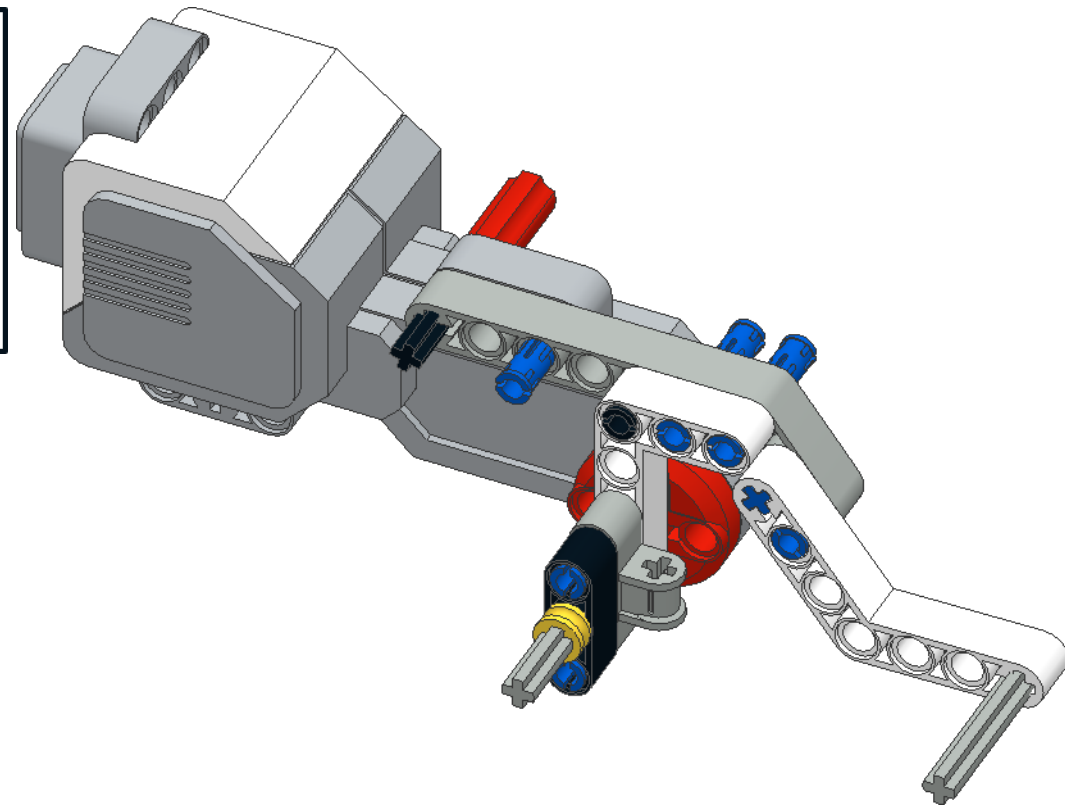
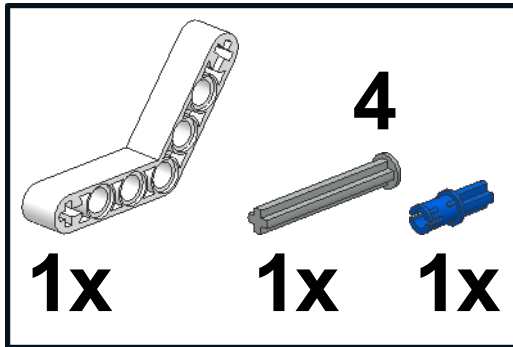


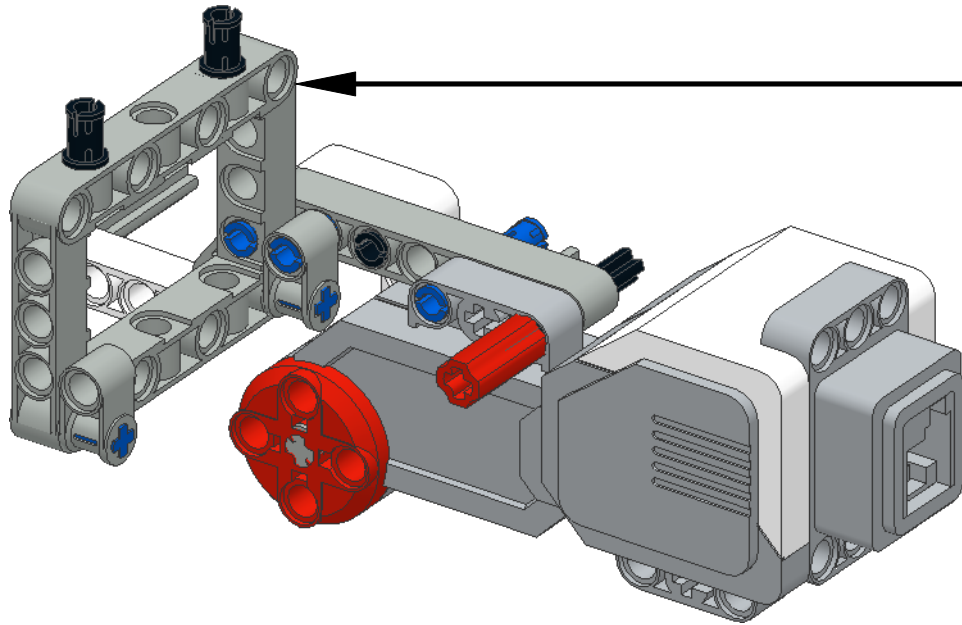


7



8





1

1x 2x

2

2x

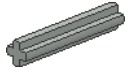
3

2x

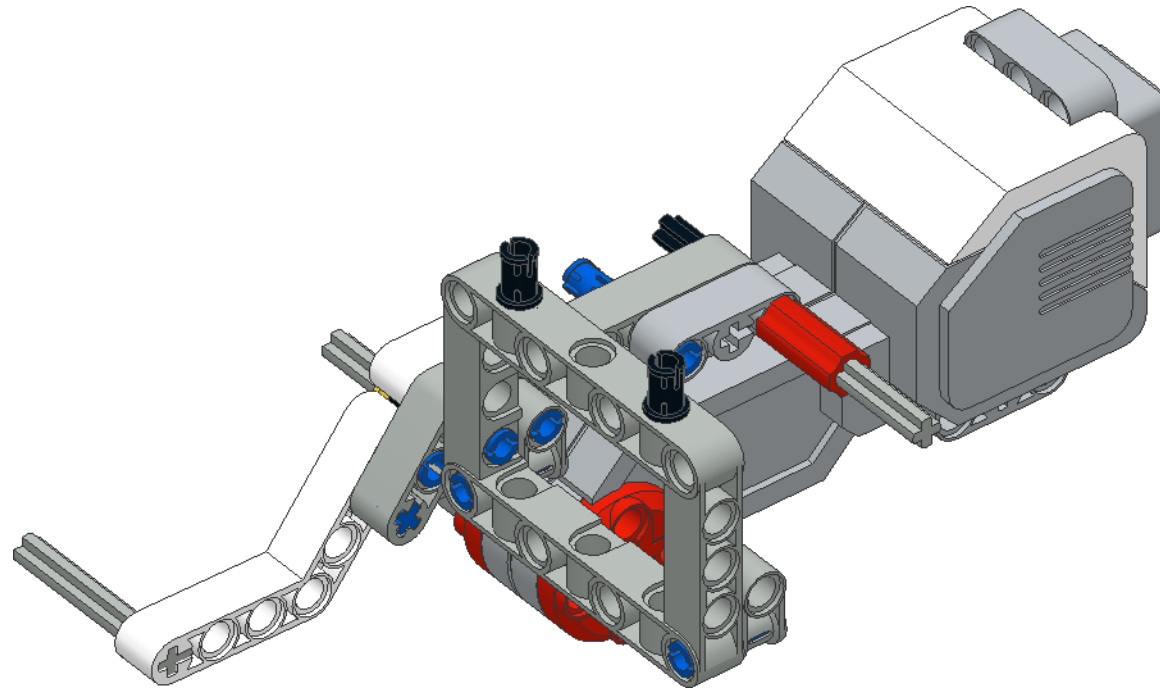
Three sub-diagrams on a yellow background show the step-by-step construction of the frame structure. Step 1 shows a grey rectangular frame made of 1x4 Technic beams, with two black pins inserted into the top holes. Step 2 shows two blue pins being inserted into the bottom holes of the frame. Step 3 shows two grey Technic connectors being attached to the bottom corners of the frame.

10

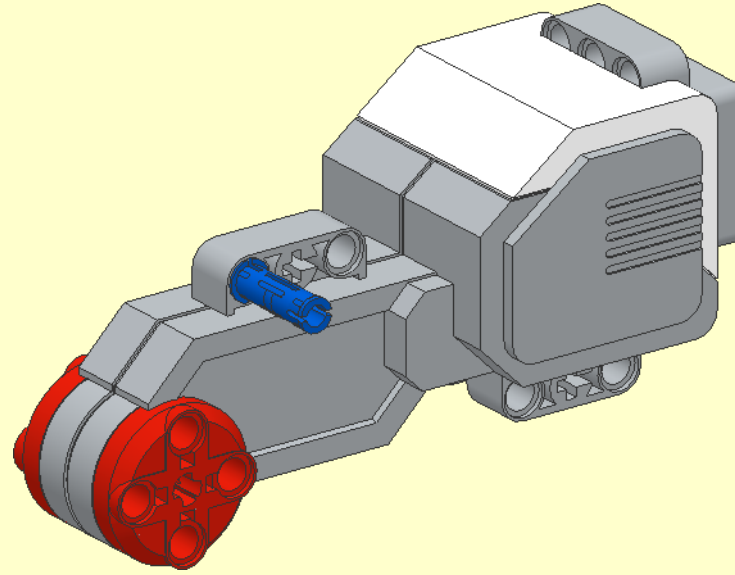
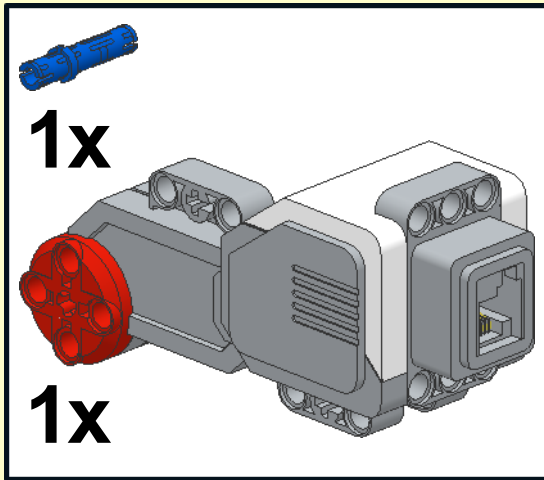
3



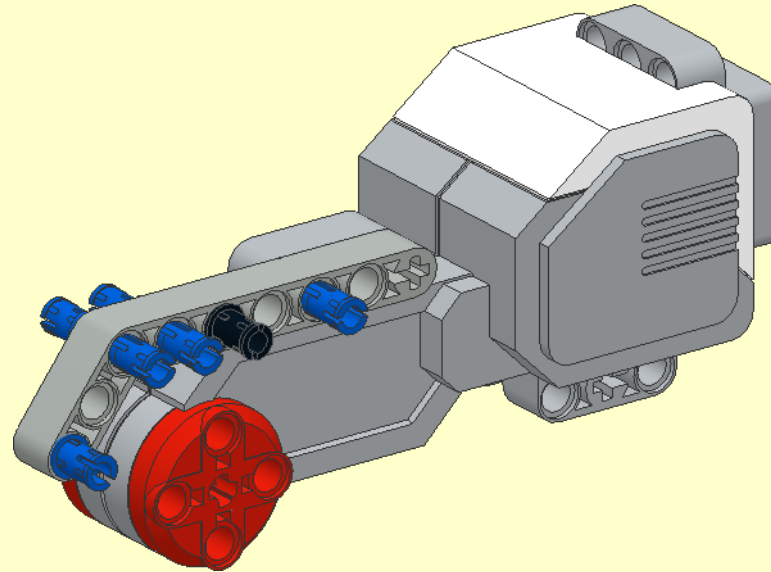
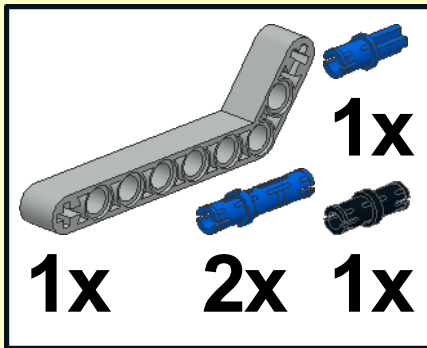
1x



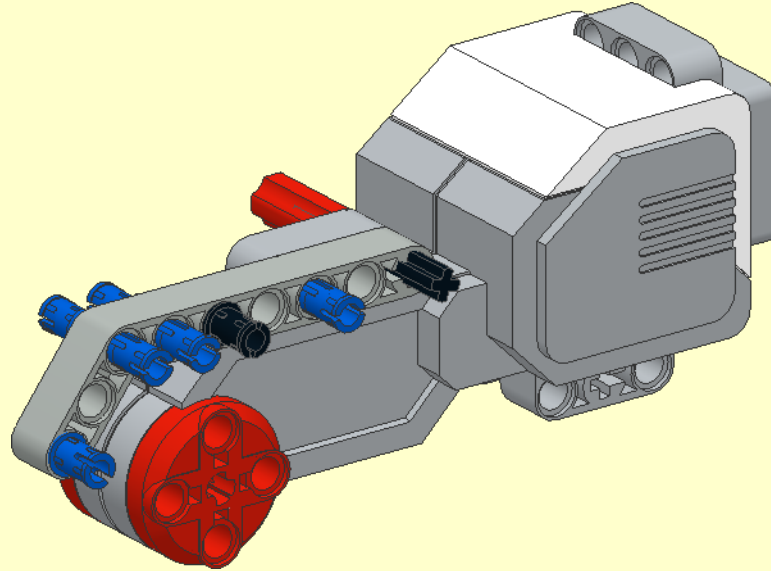
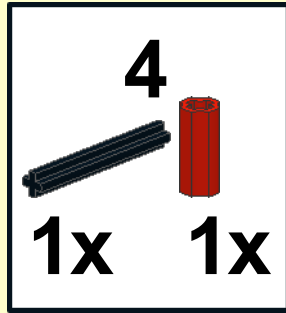
1



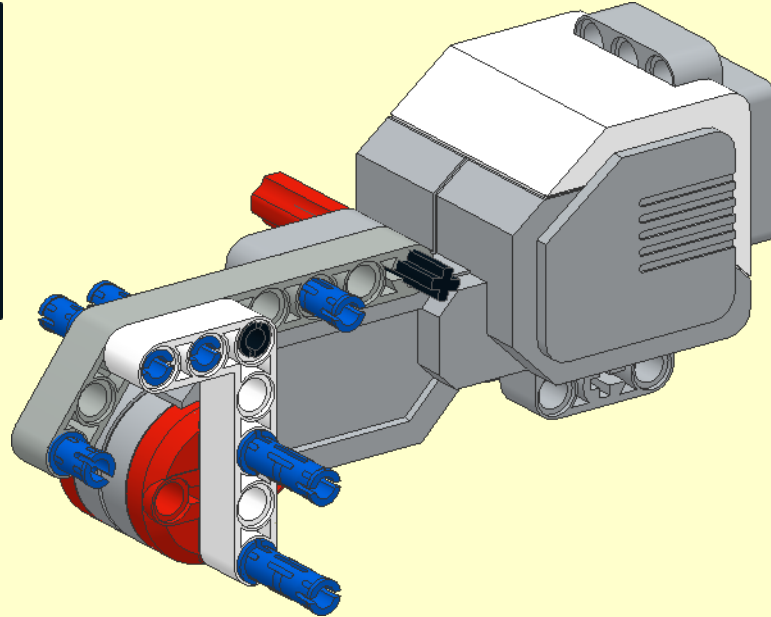
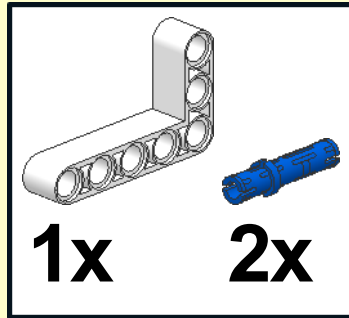
2



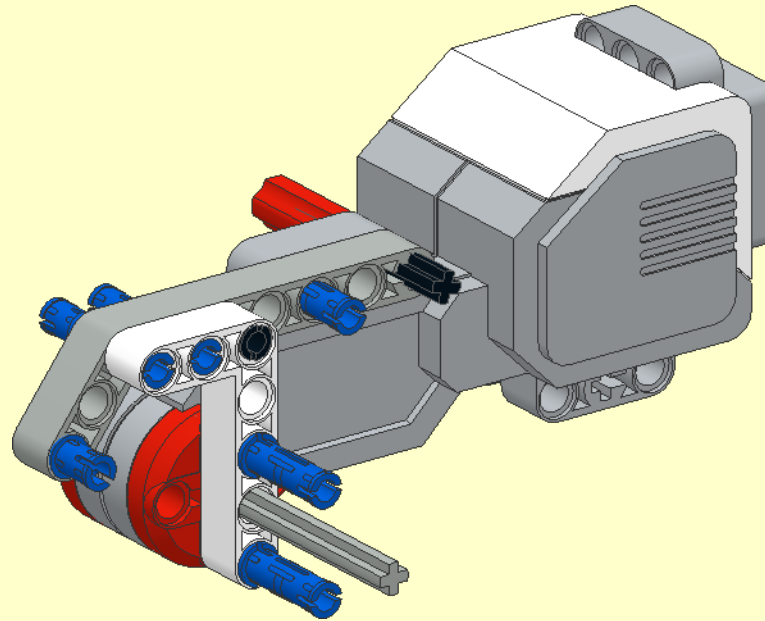
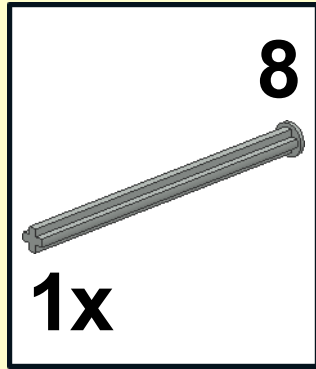
3



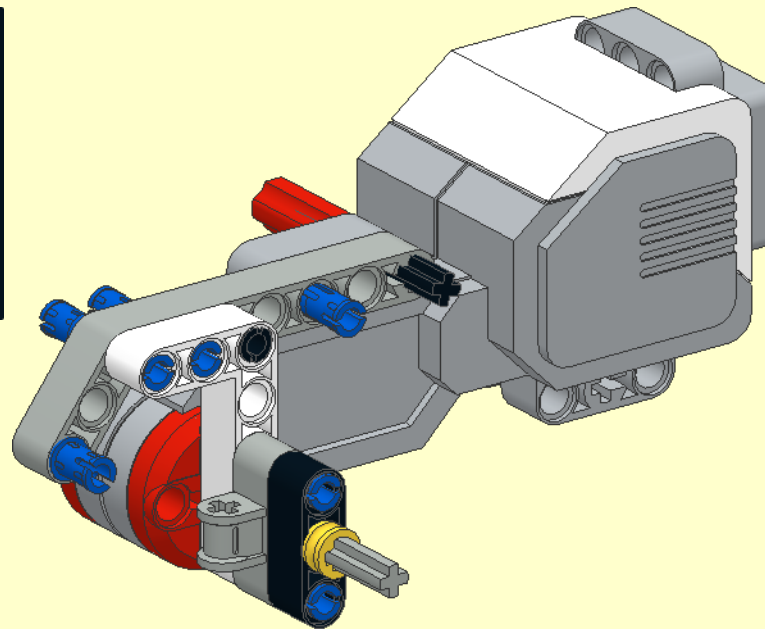
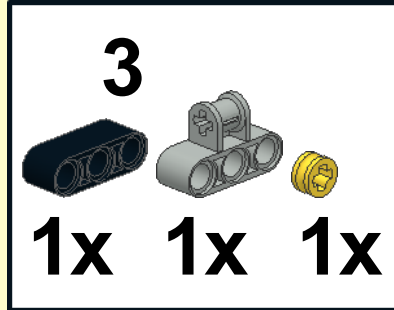
4



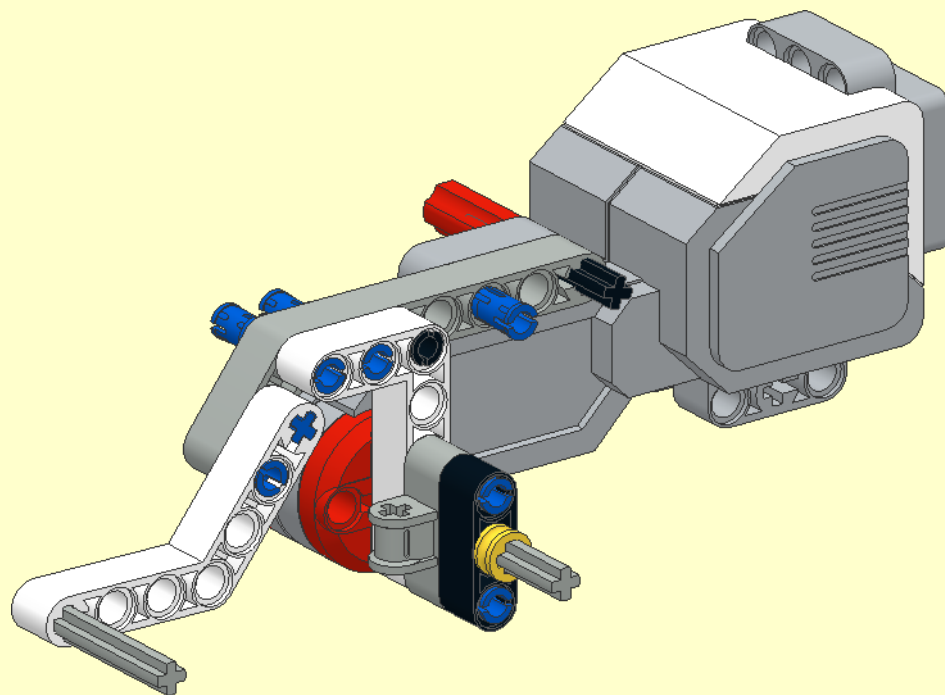
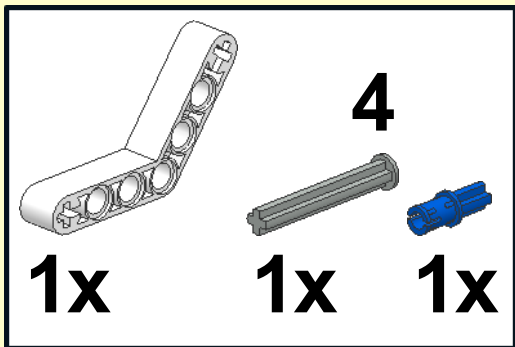
5



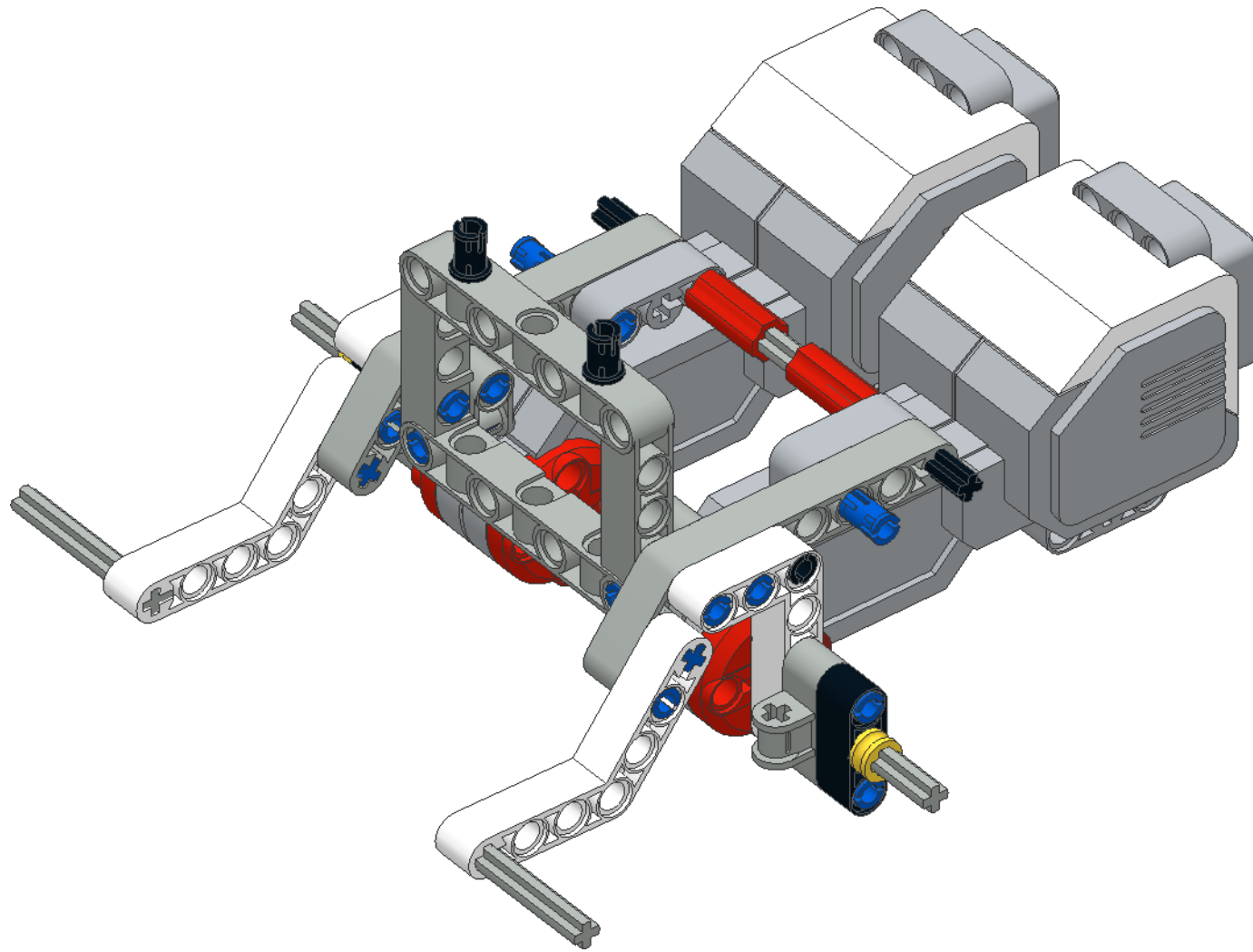
6



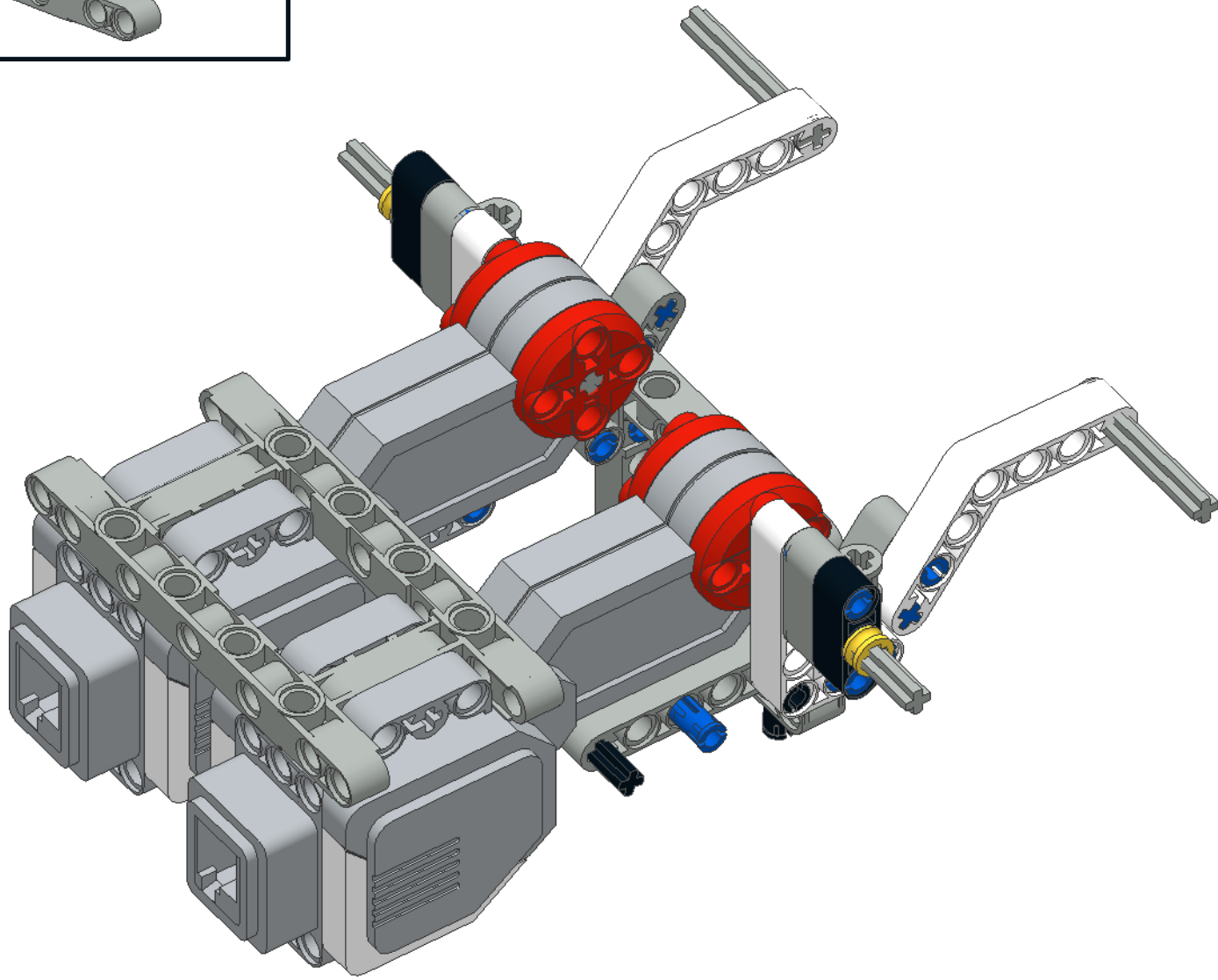
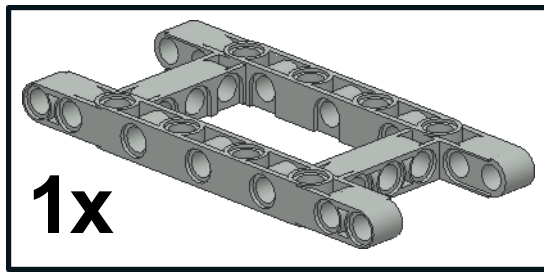
7



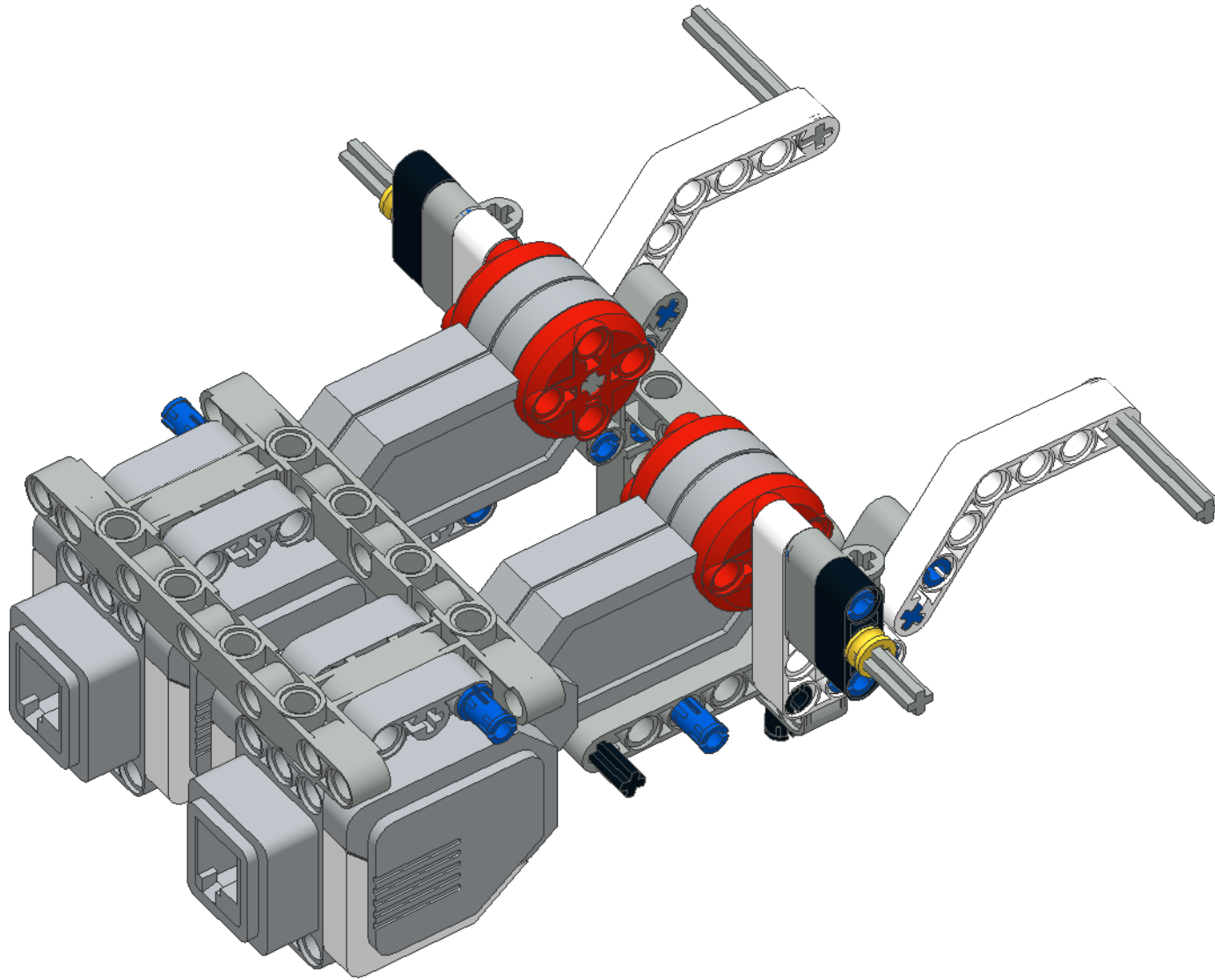
11



12

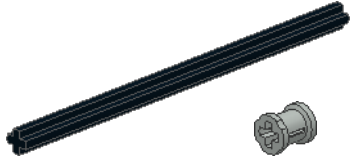


13



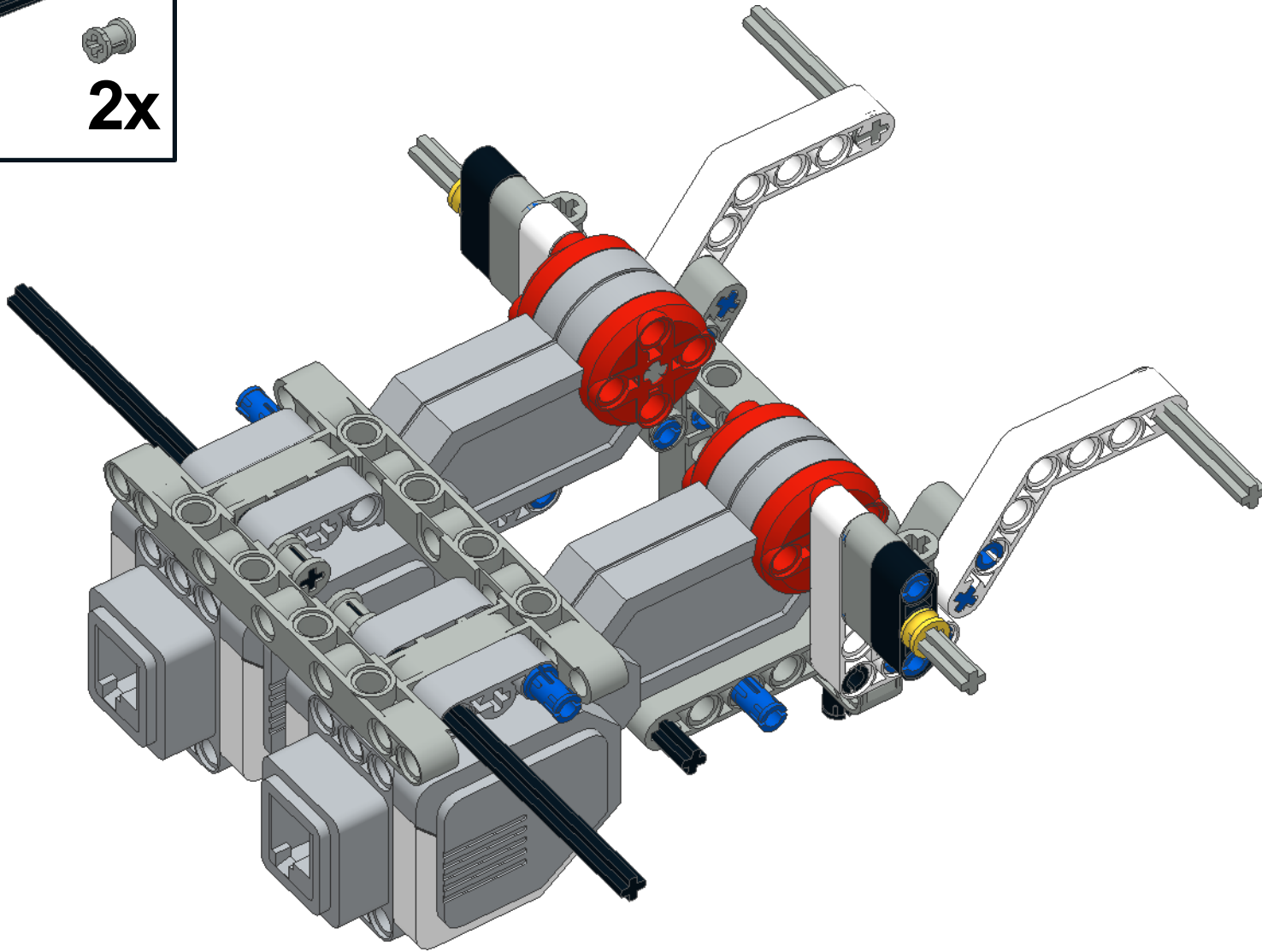
14

10

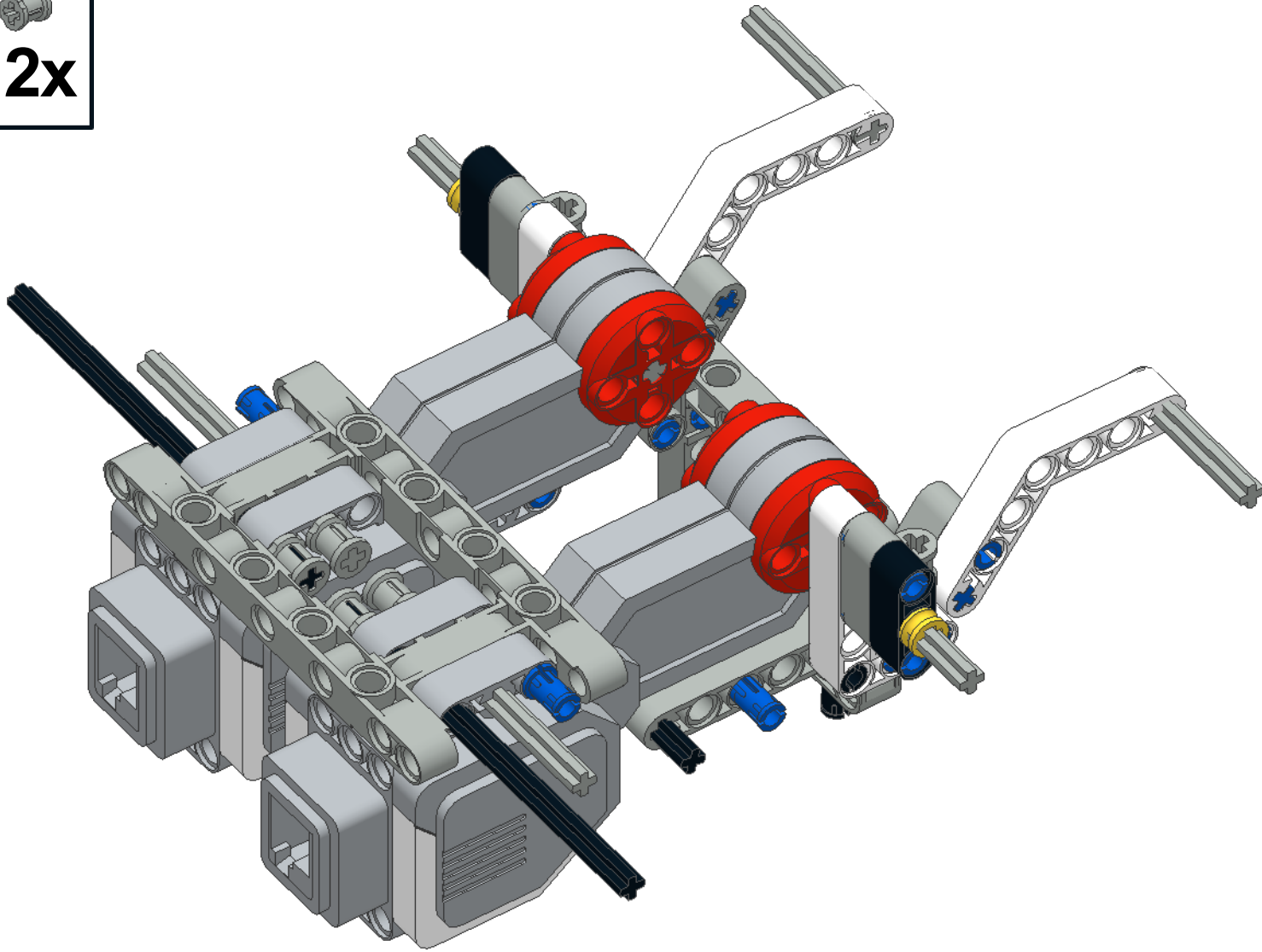
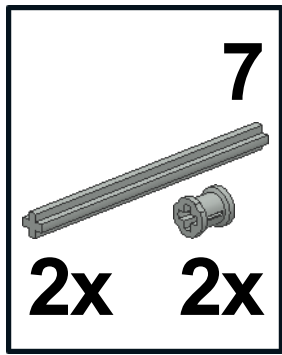


2x

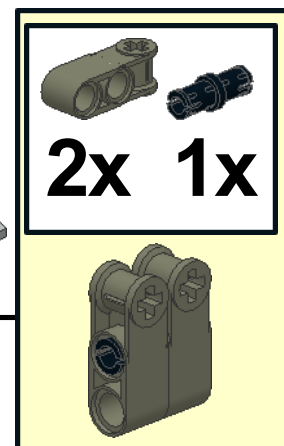
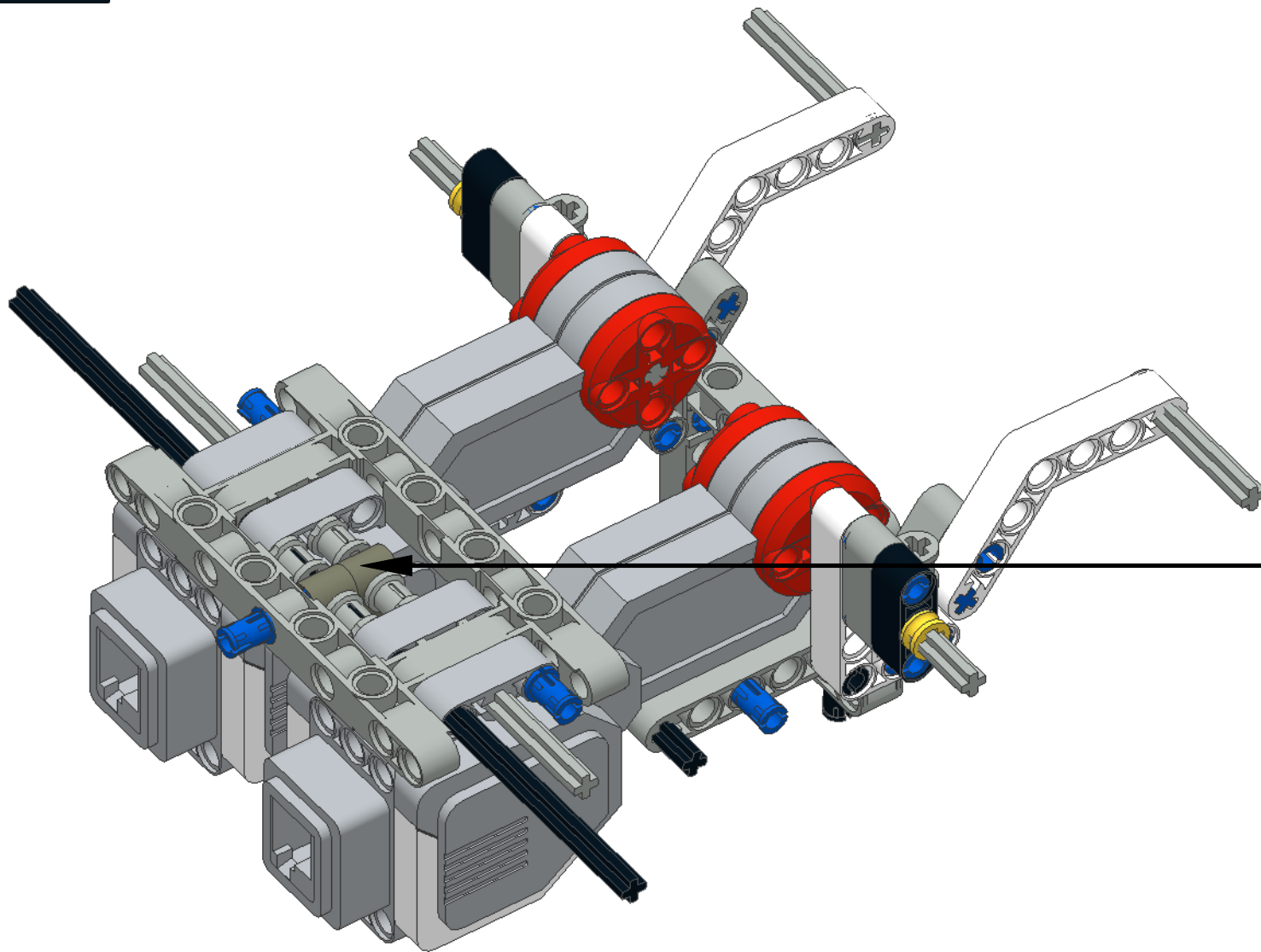
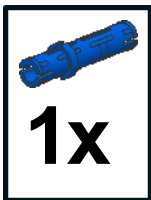
2x




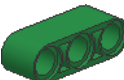

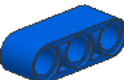


15

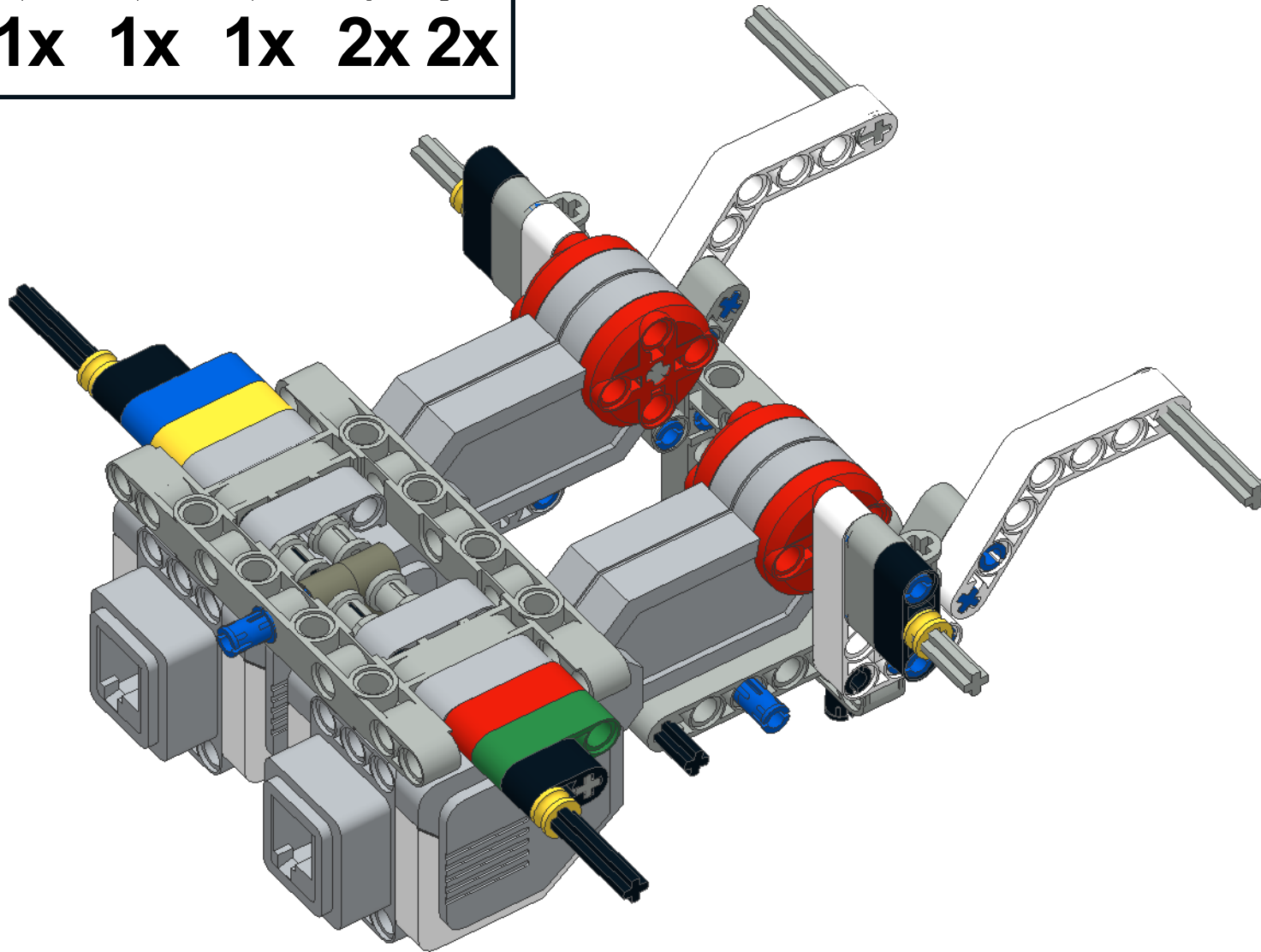


16

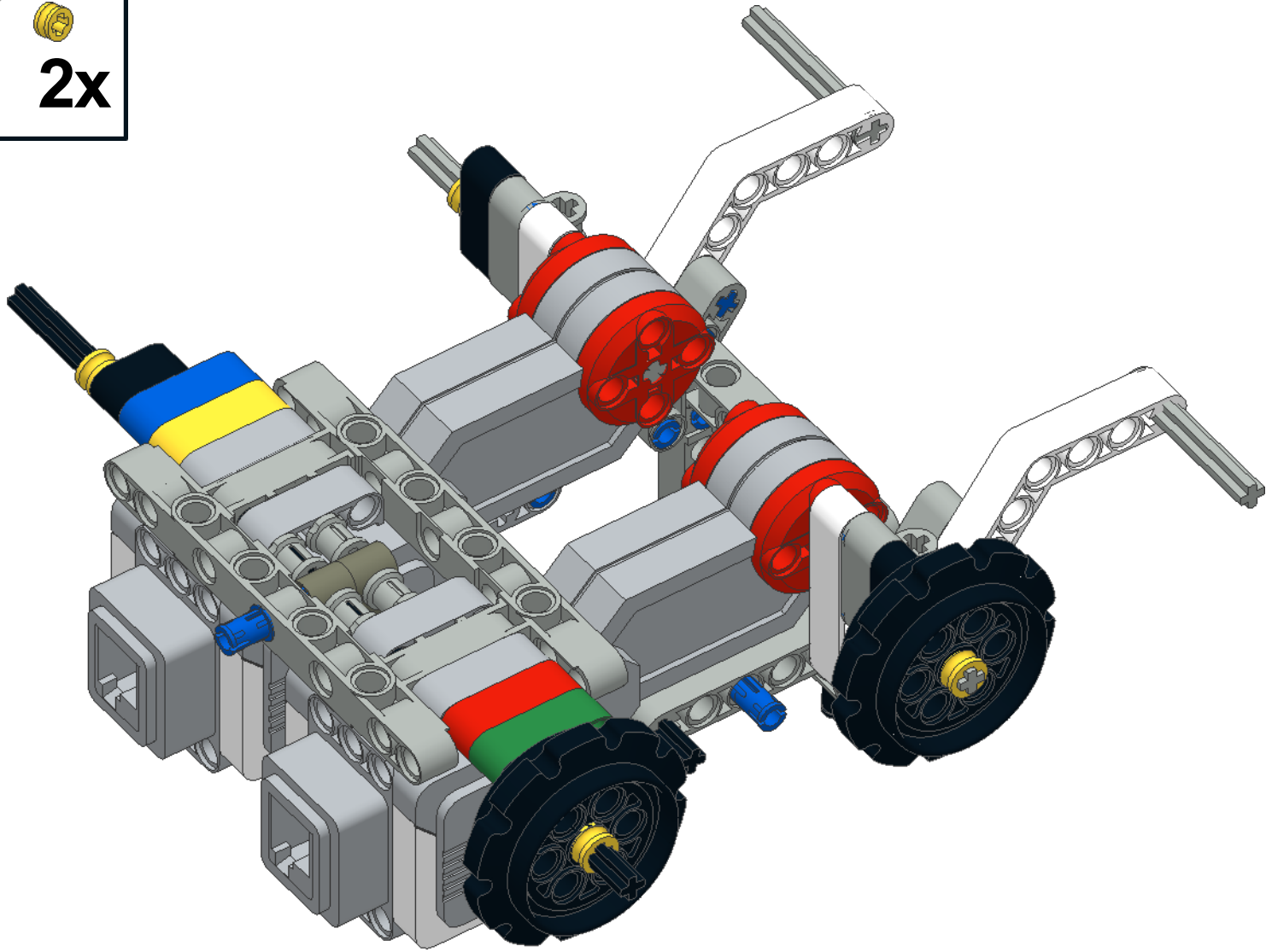
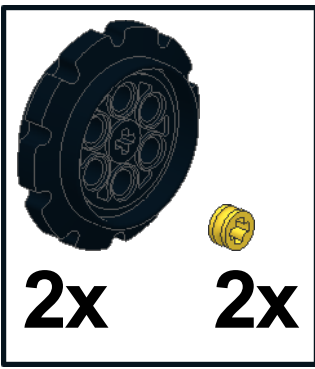


17

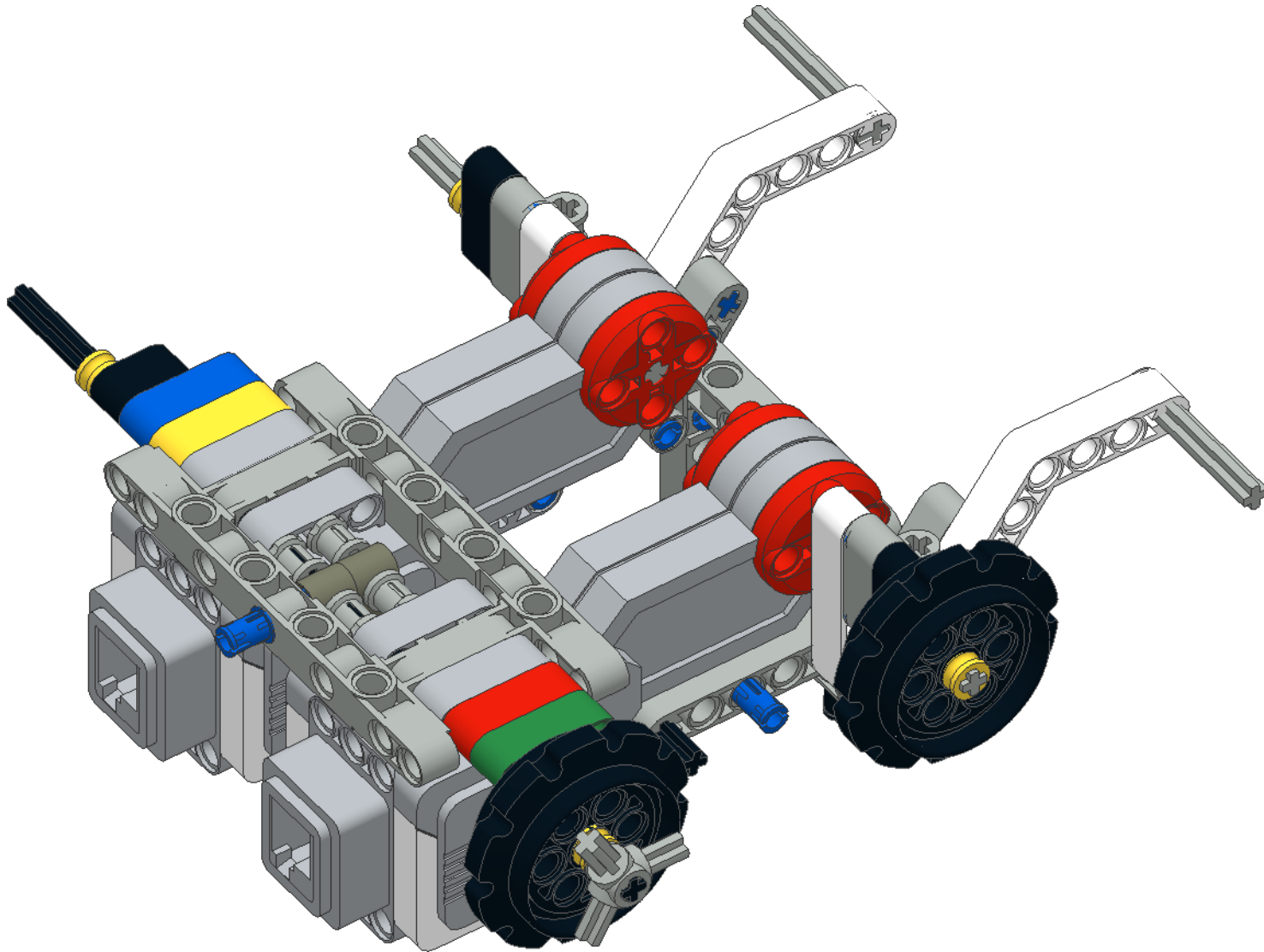
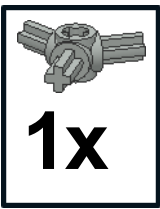
					
3	3	3	3		
1x	1x	1x	1x	2x	2x



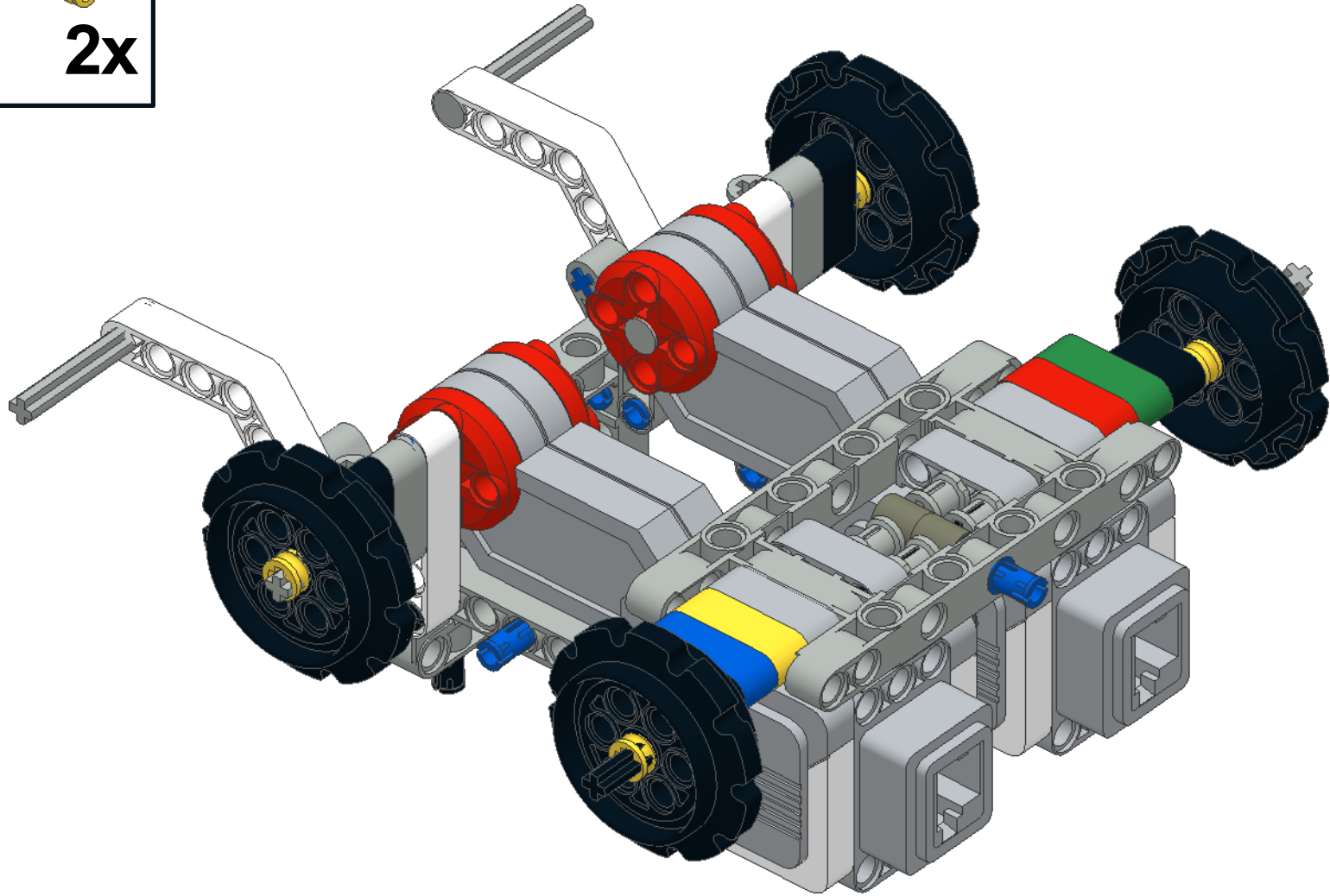
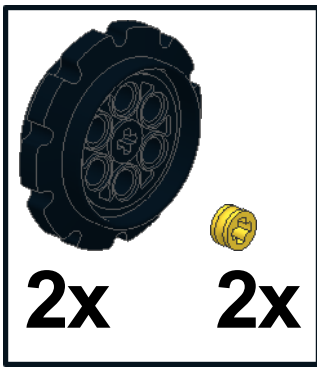
18



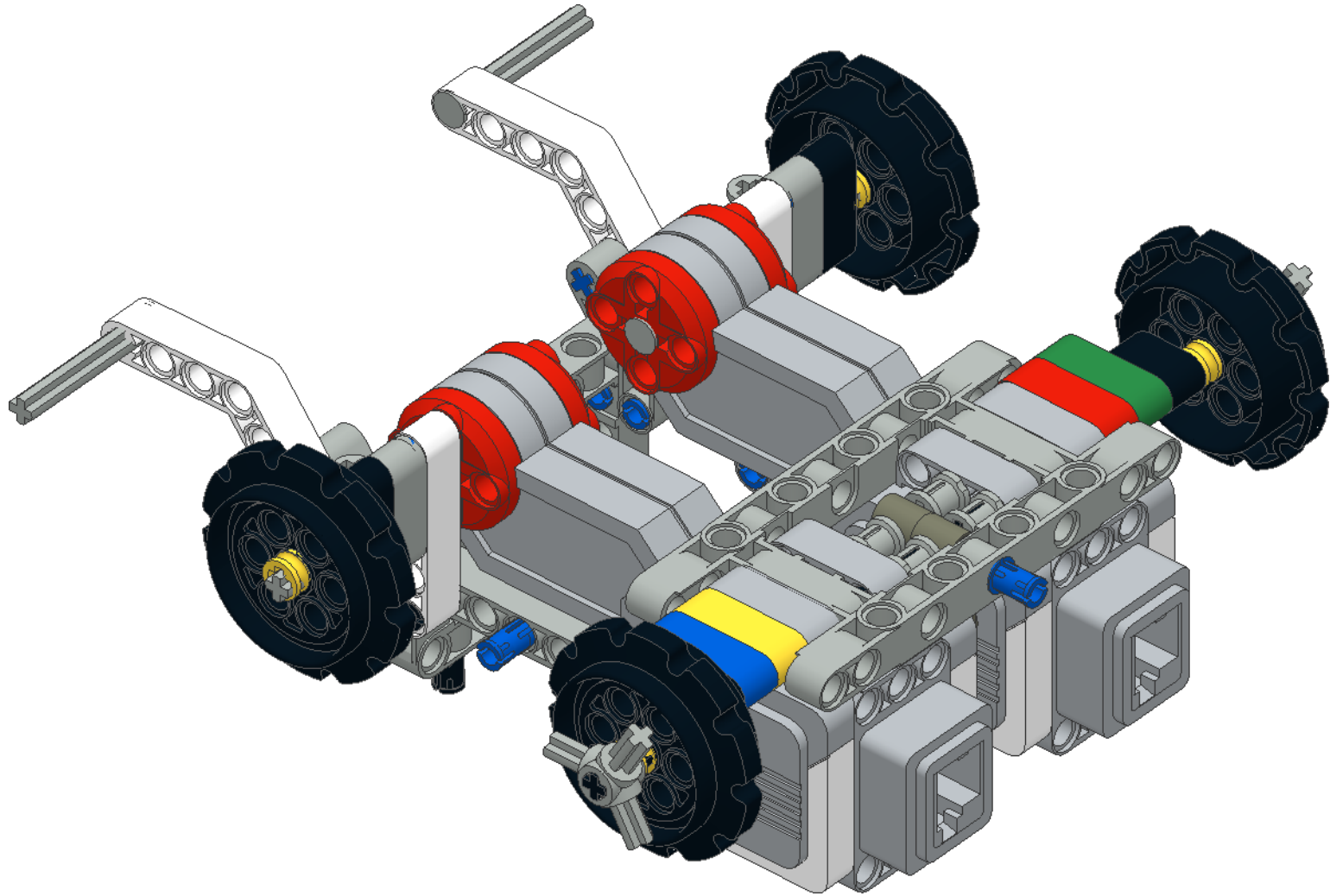
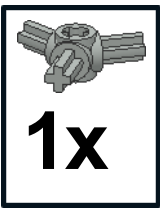
19



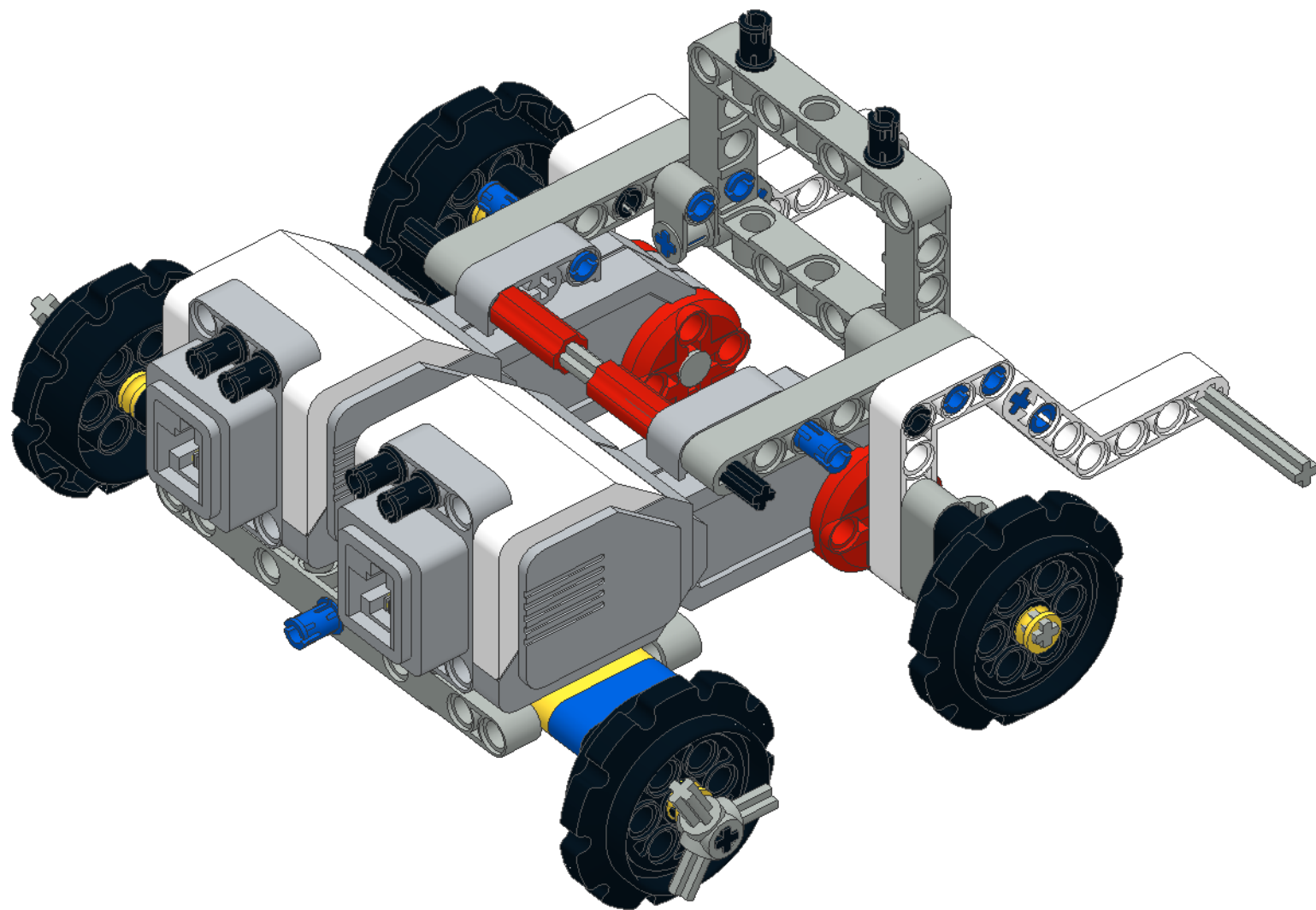
20



21

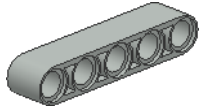


22



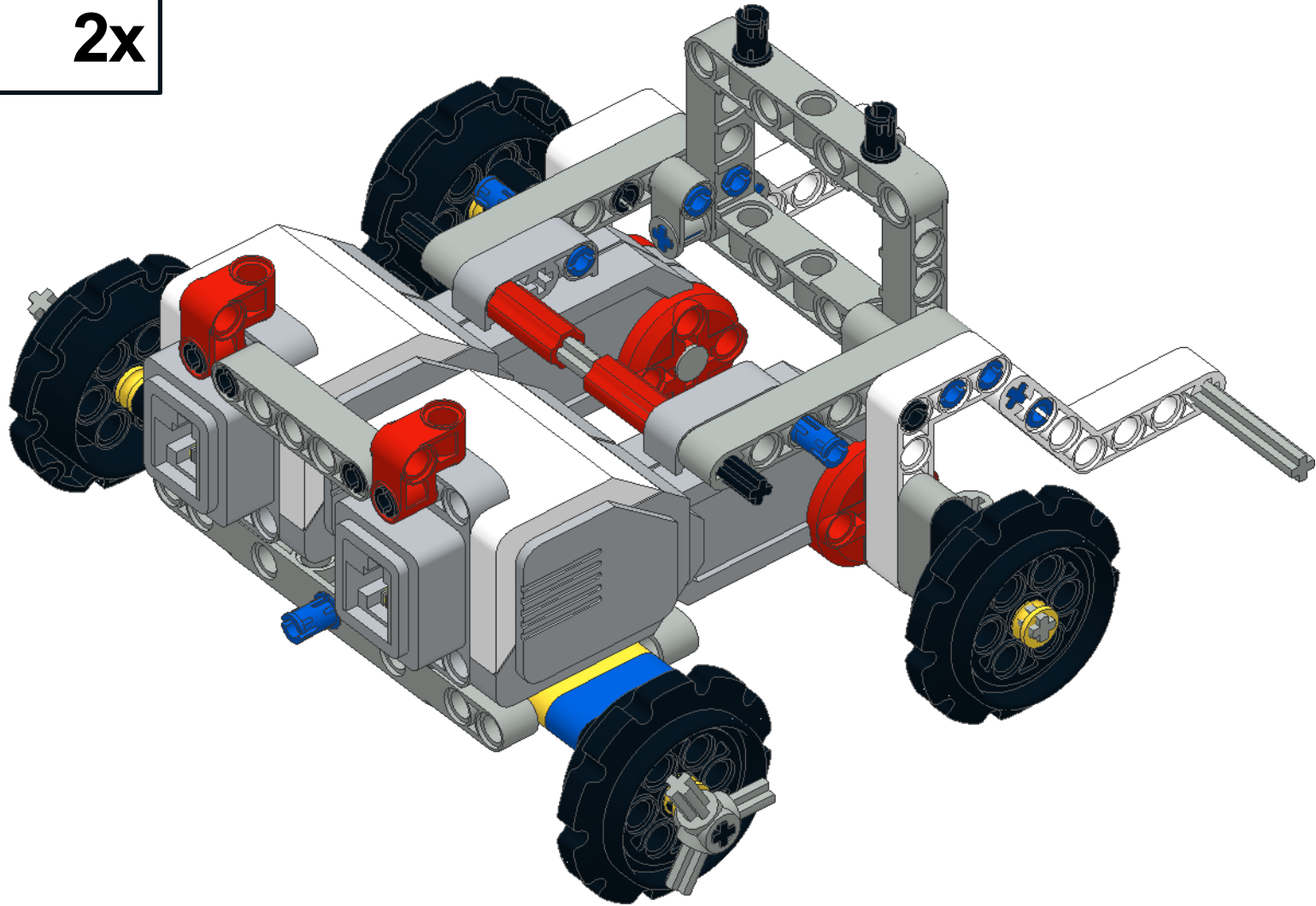
23


5

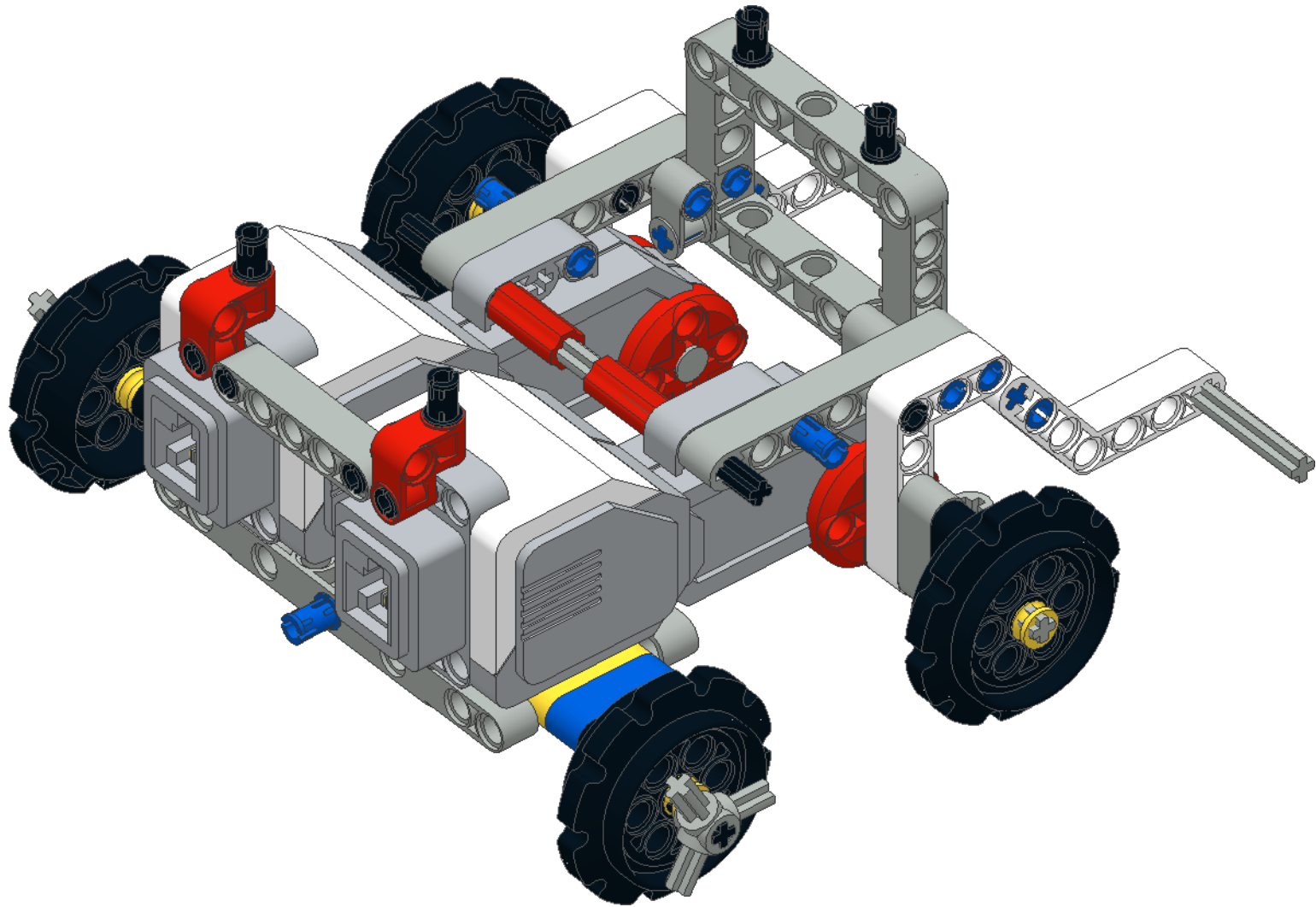


1x

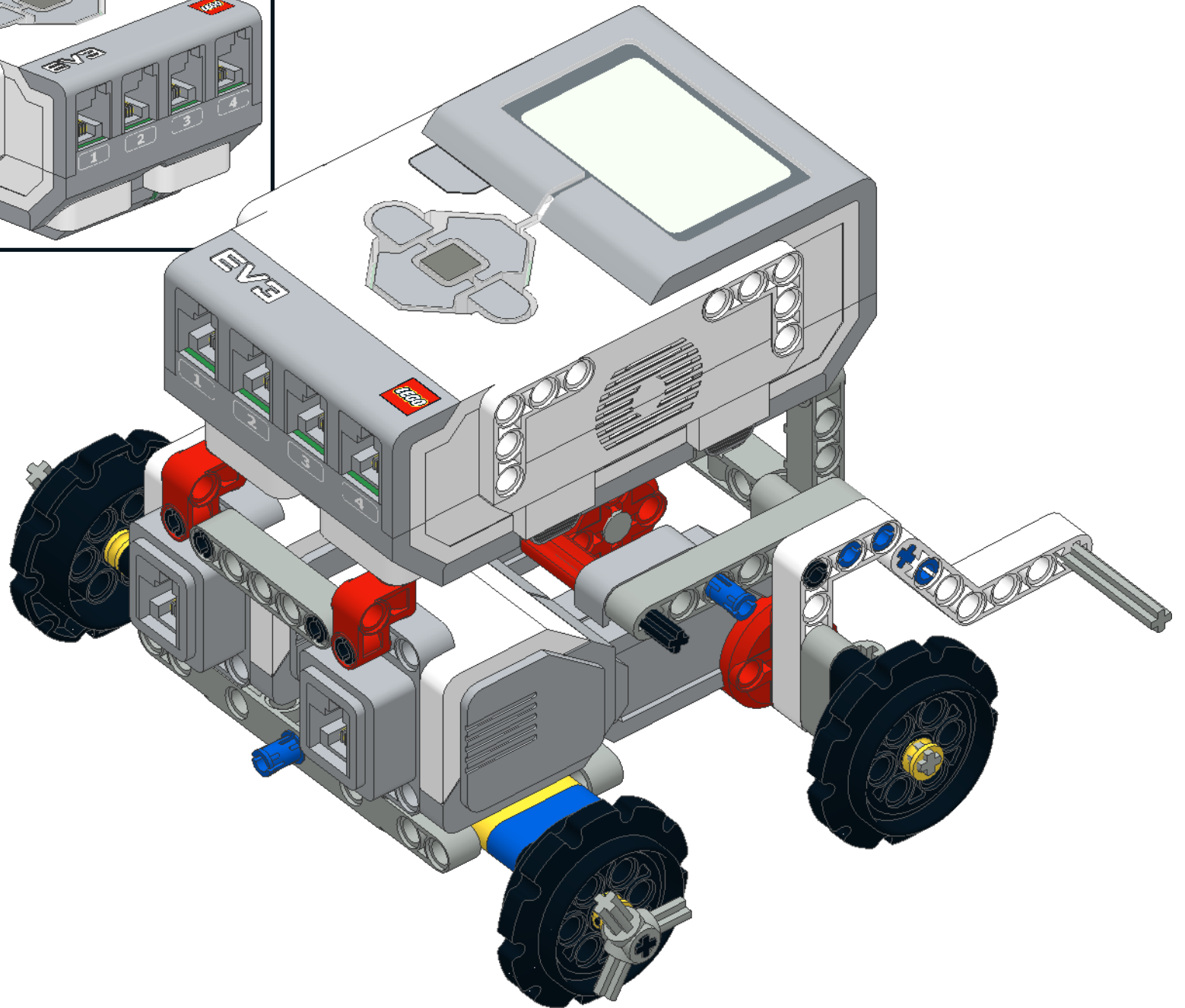
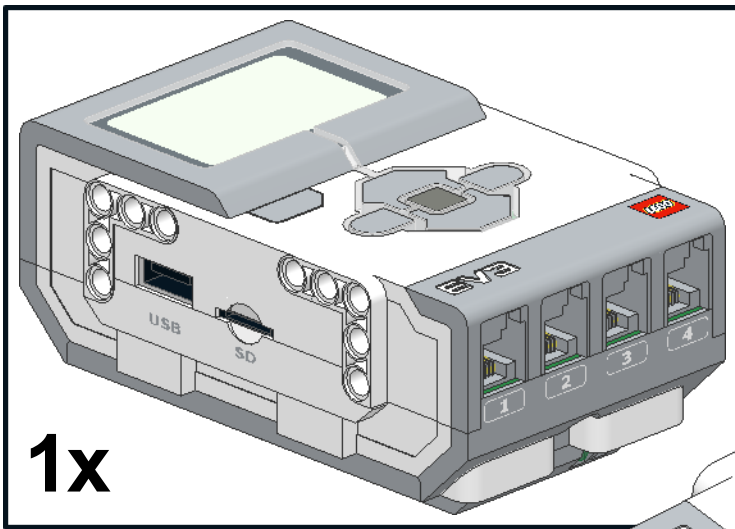
2x



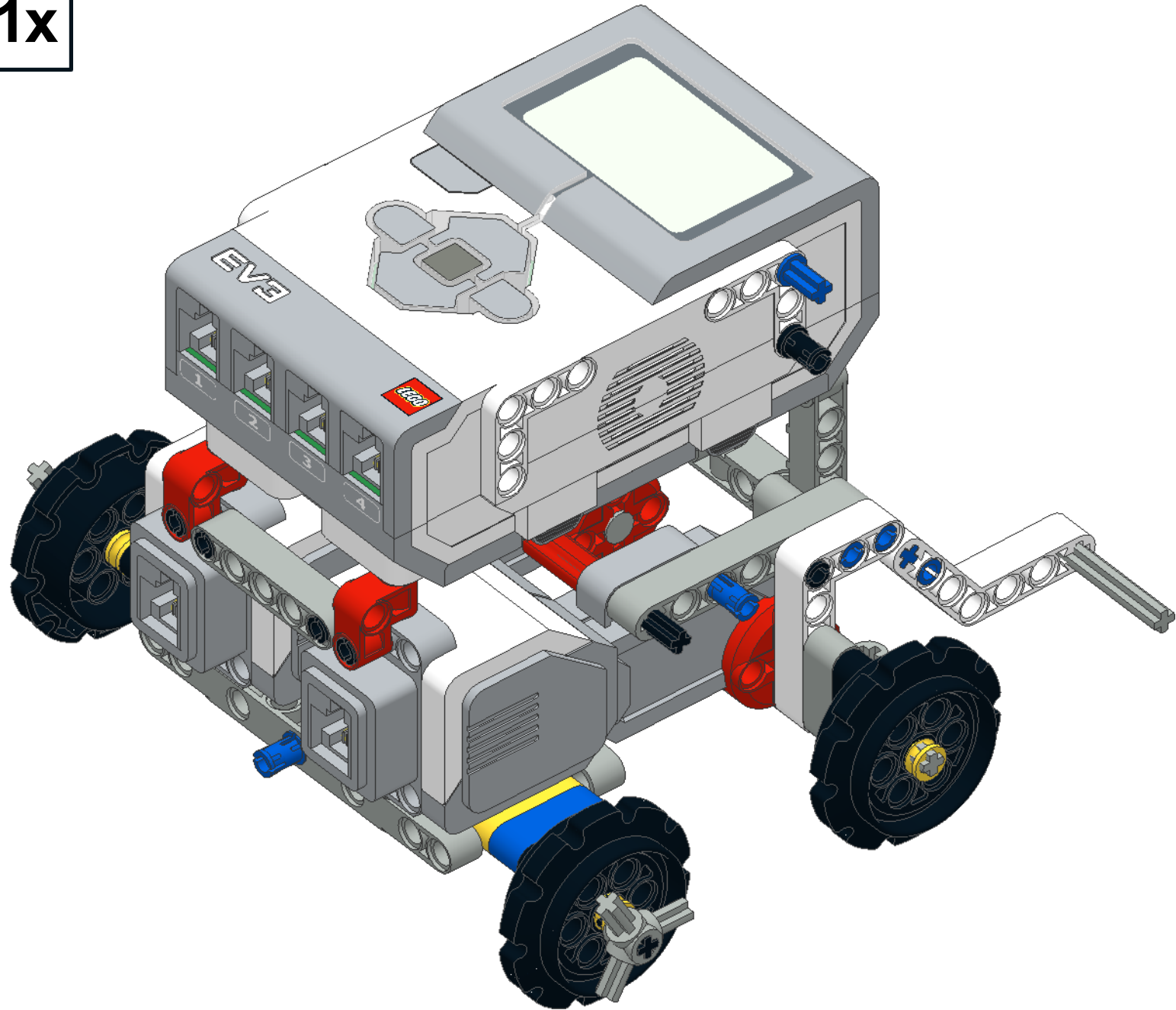
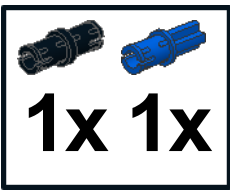
24  2x



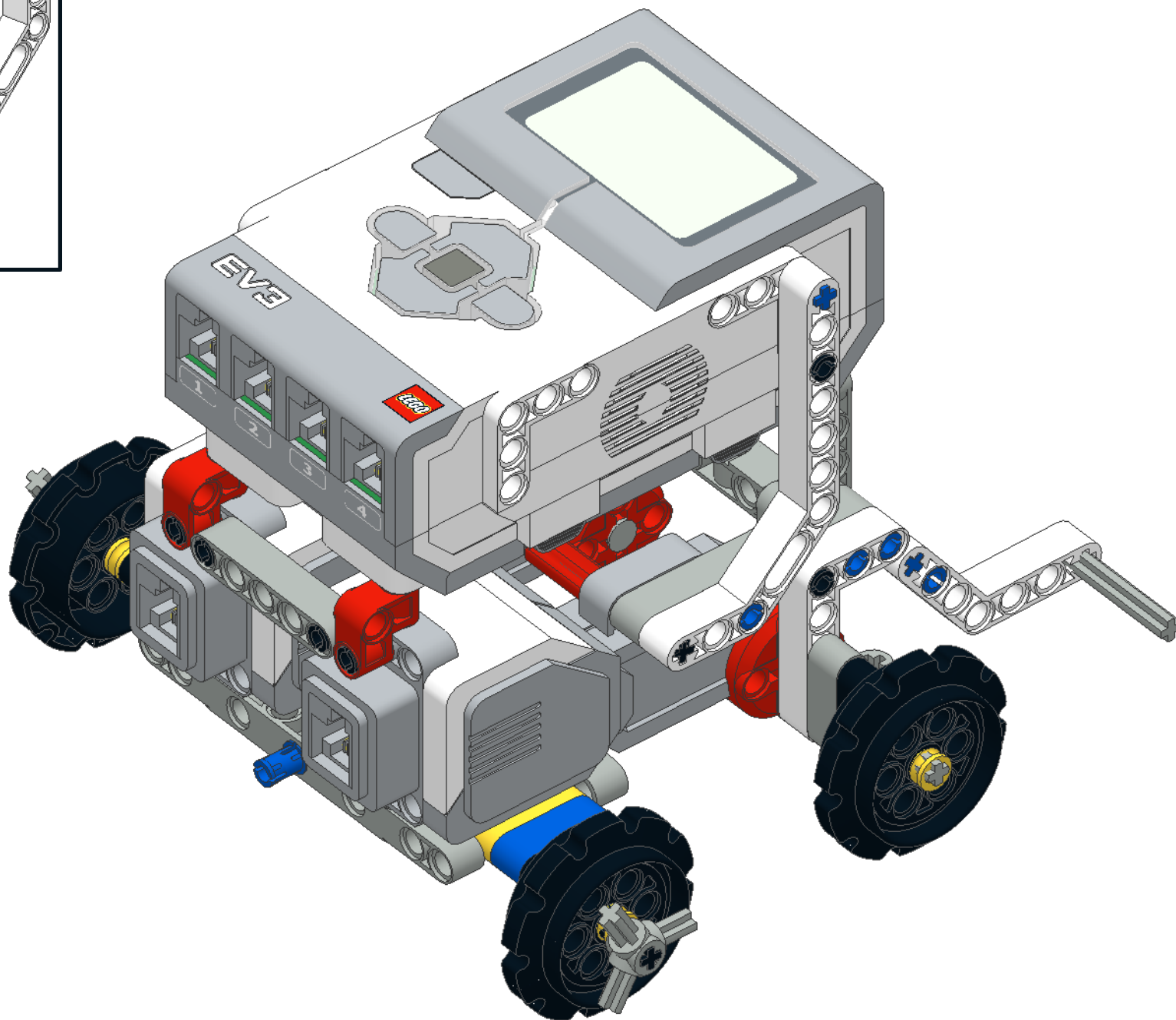
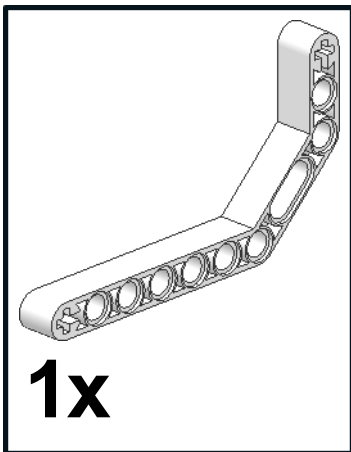
25



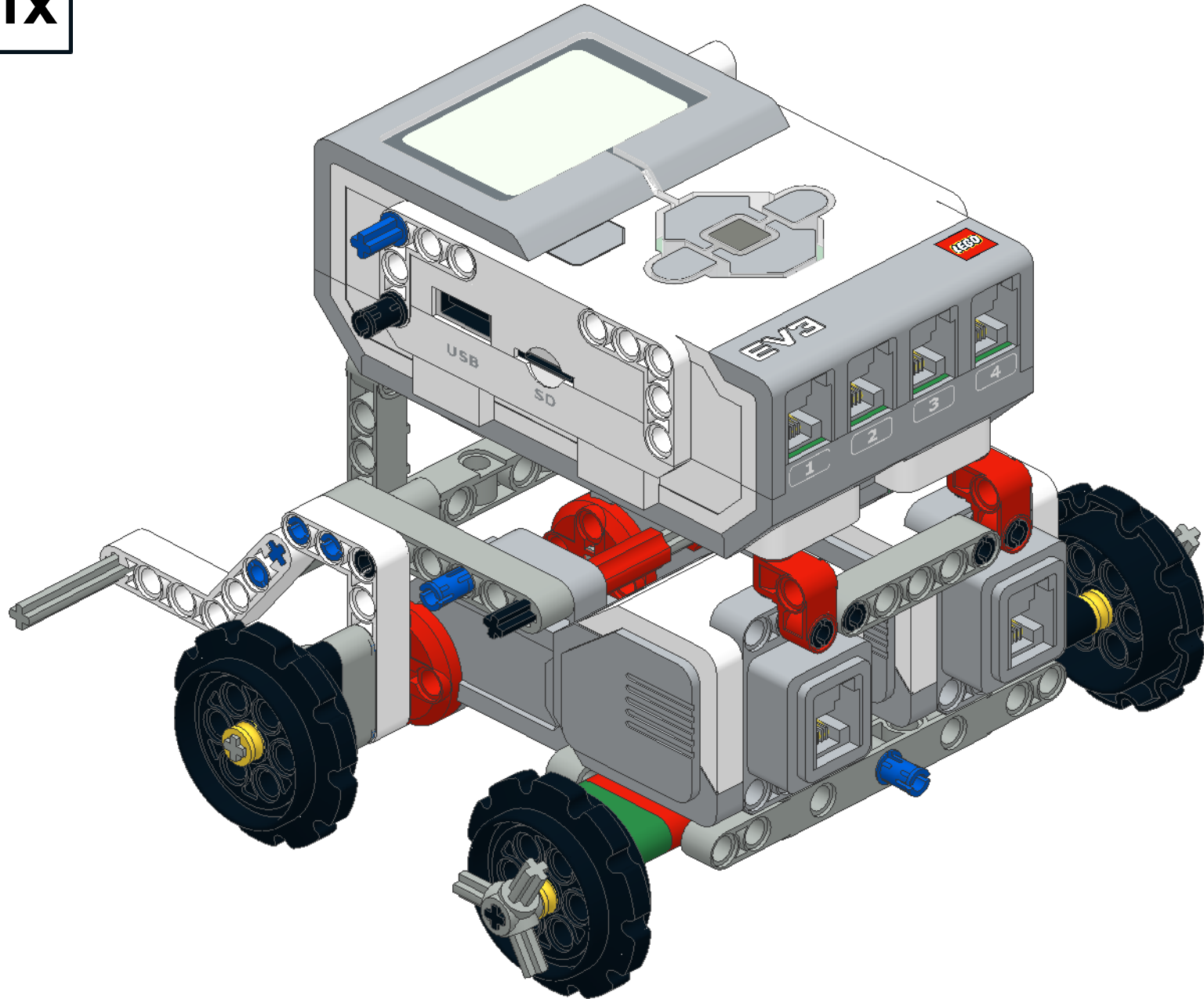
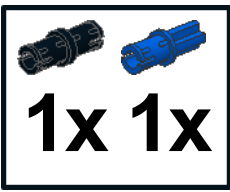
26



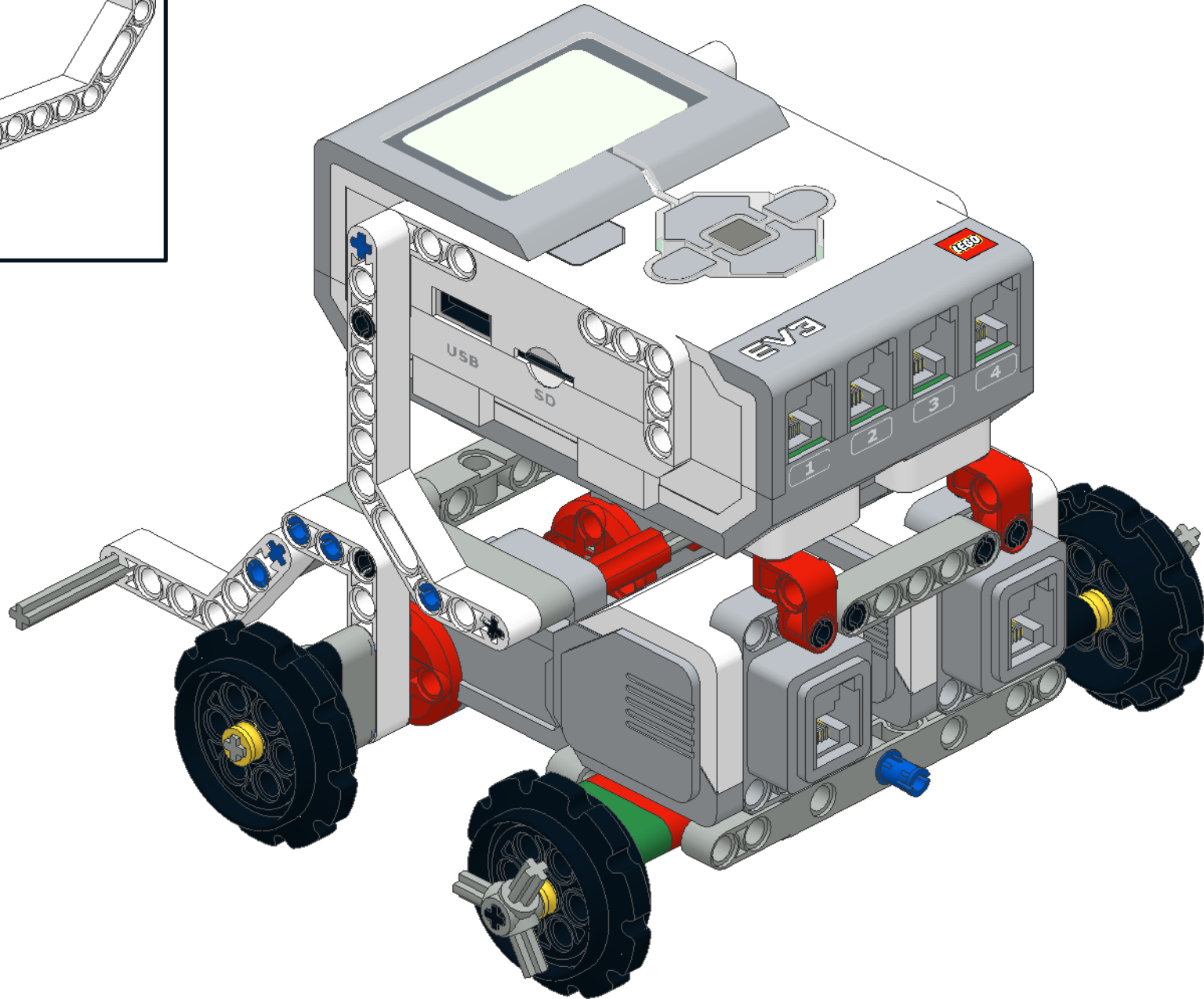
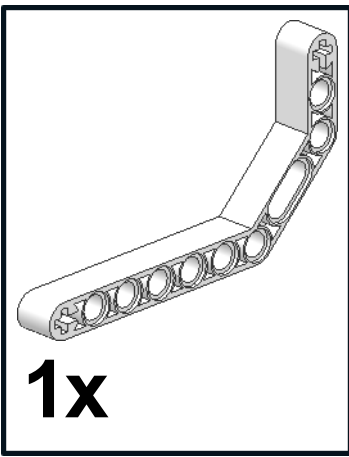
27



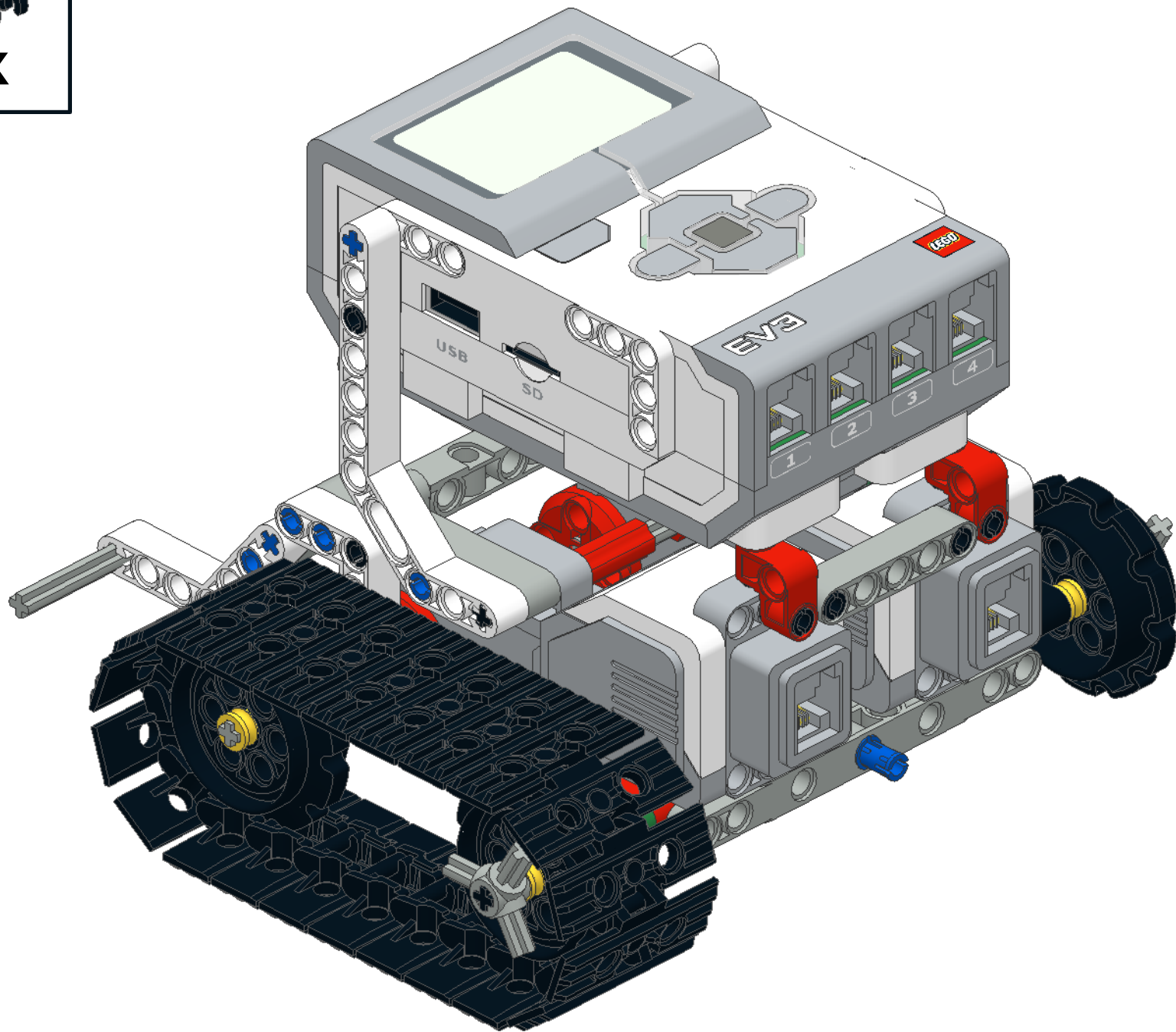
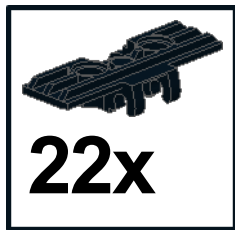
28



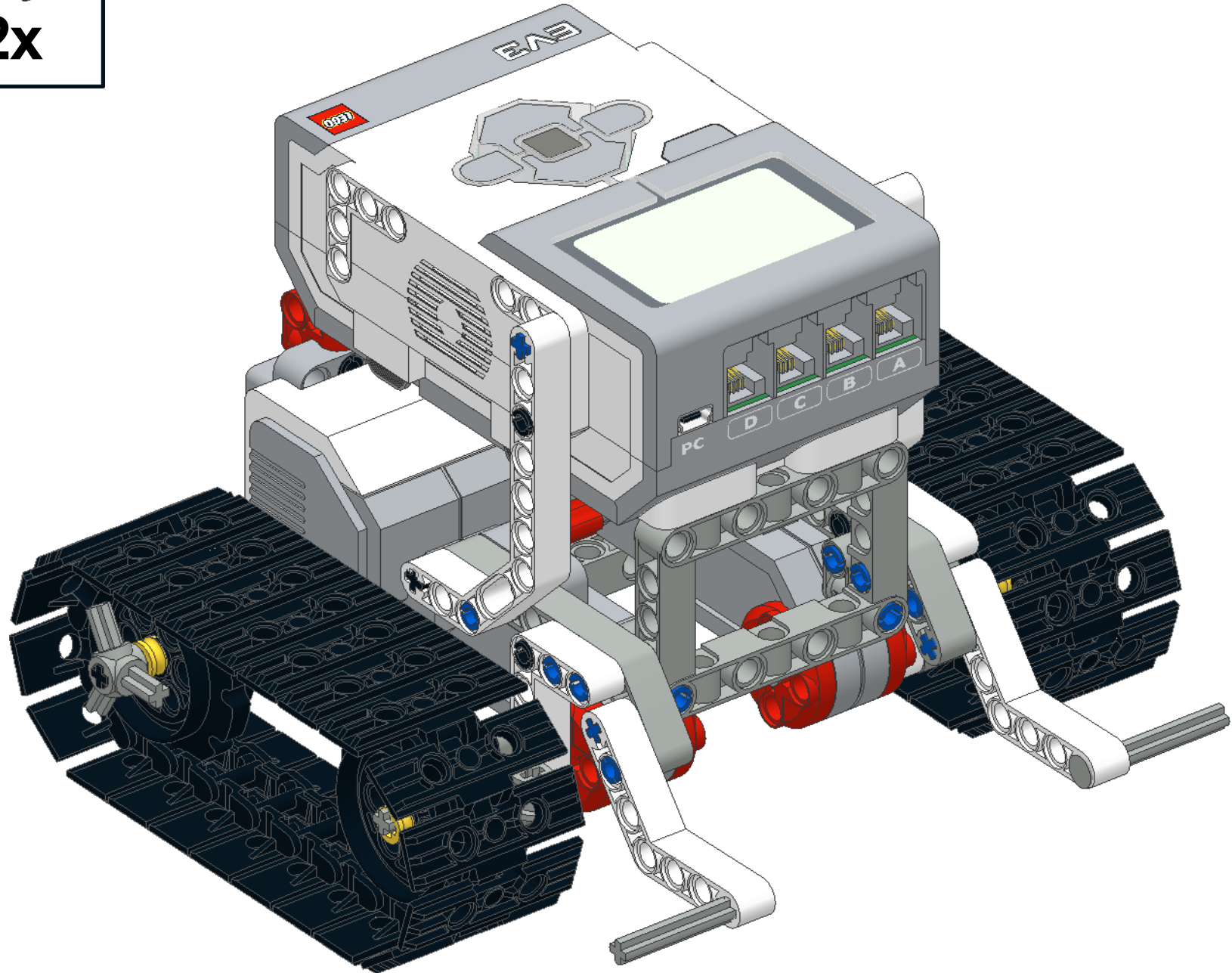
29



30

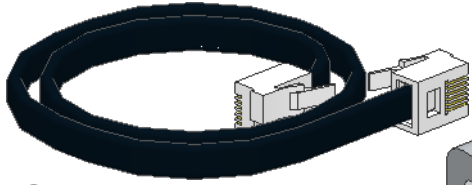


31



32

35 cm



2x

