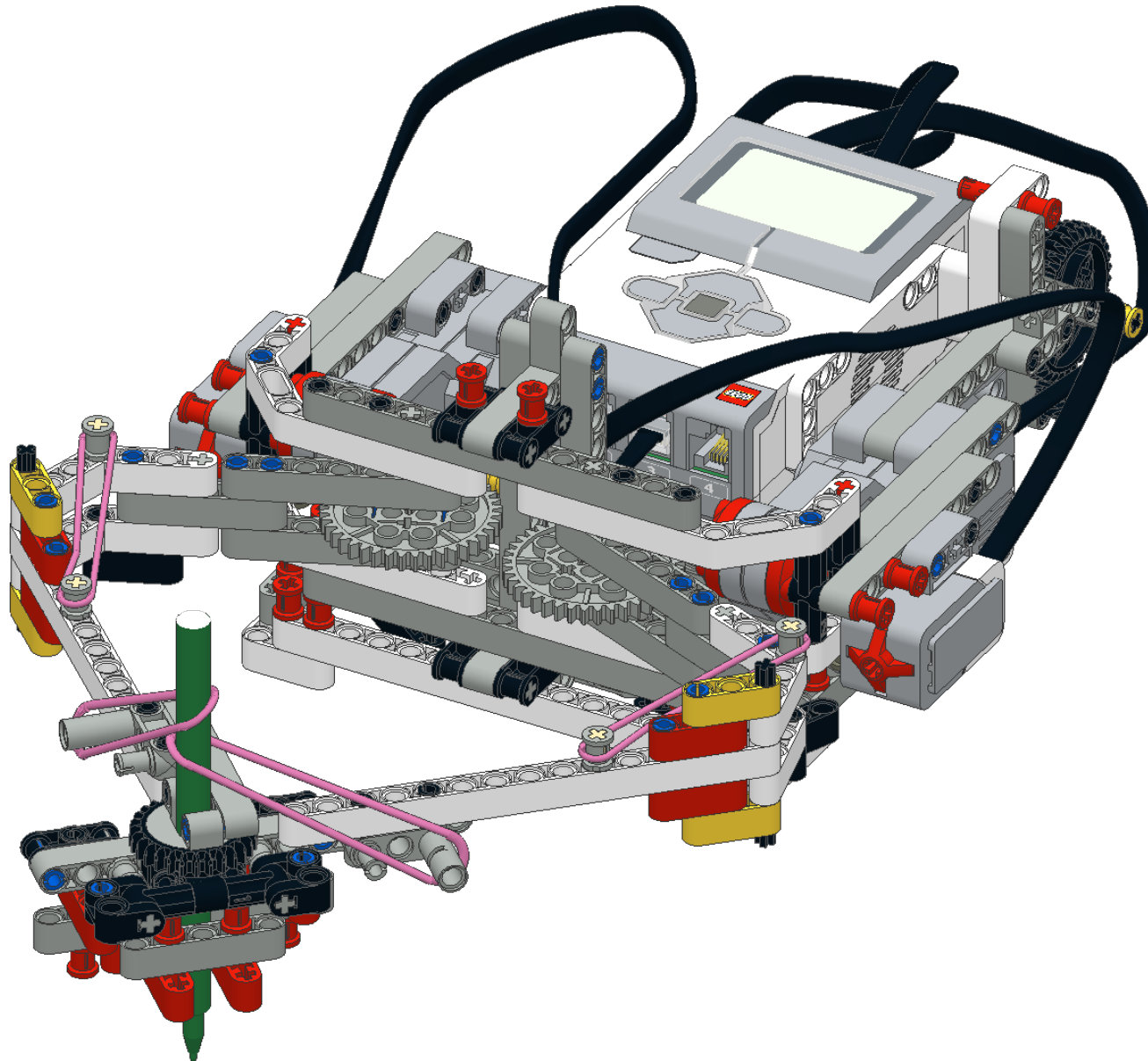
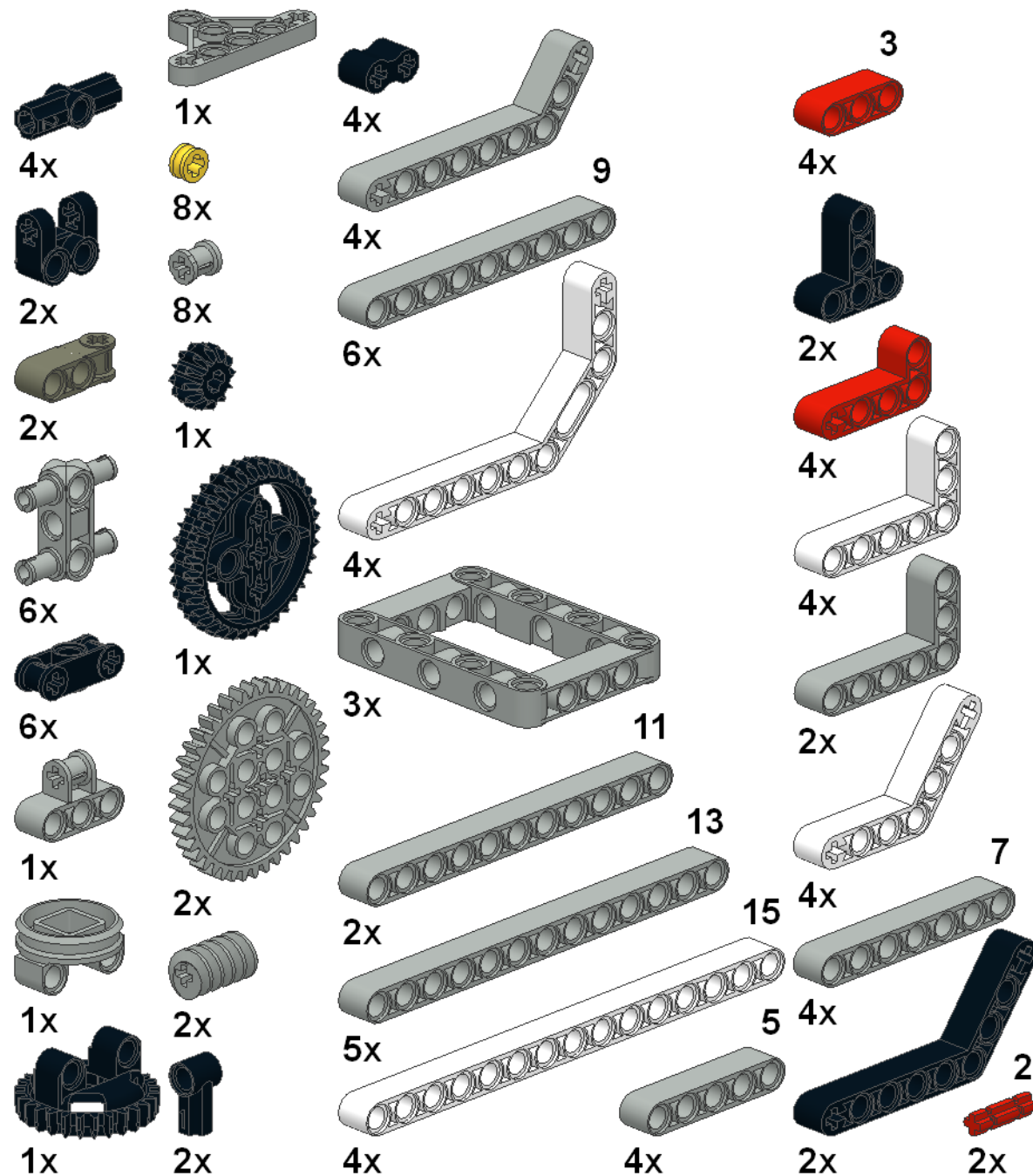
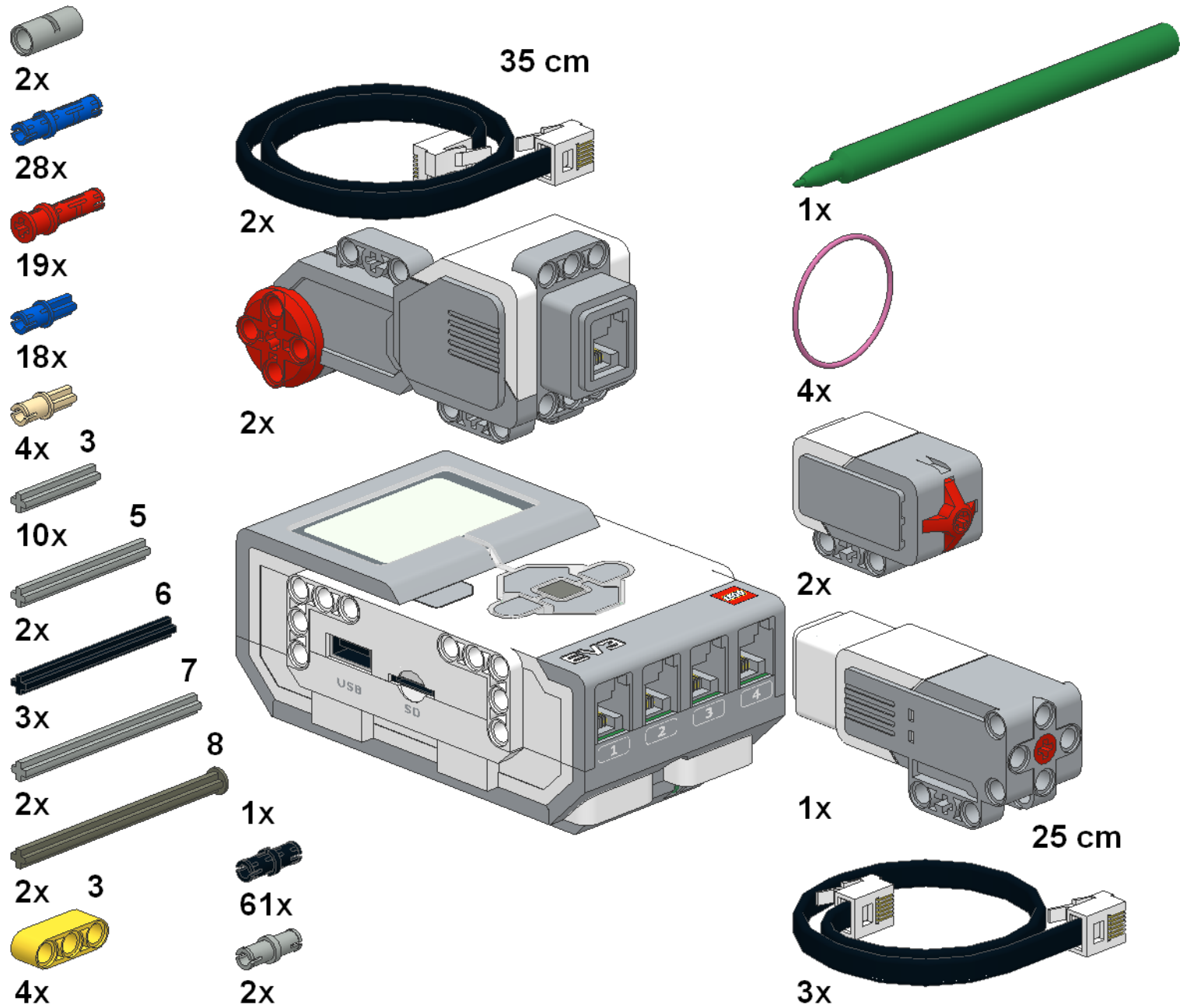
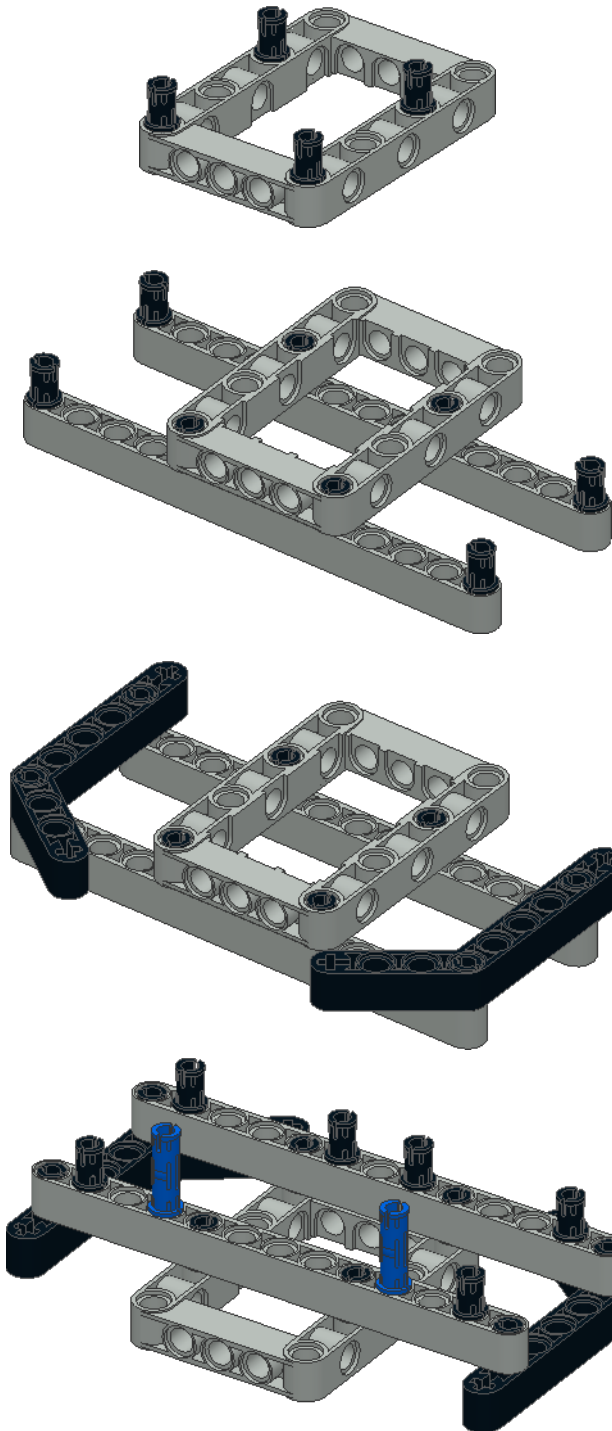
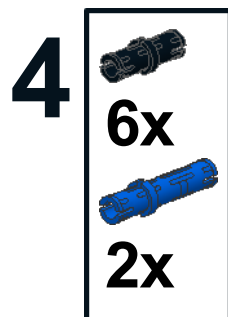
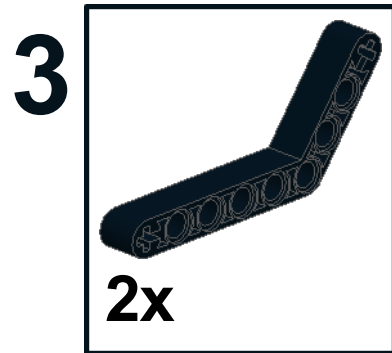
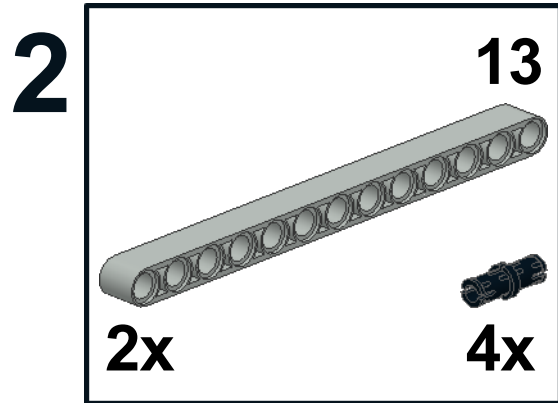
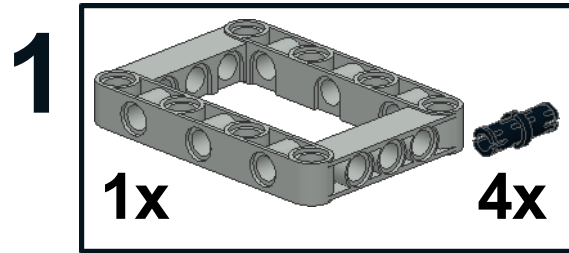


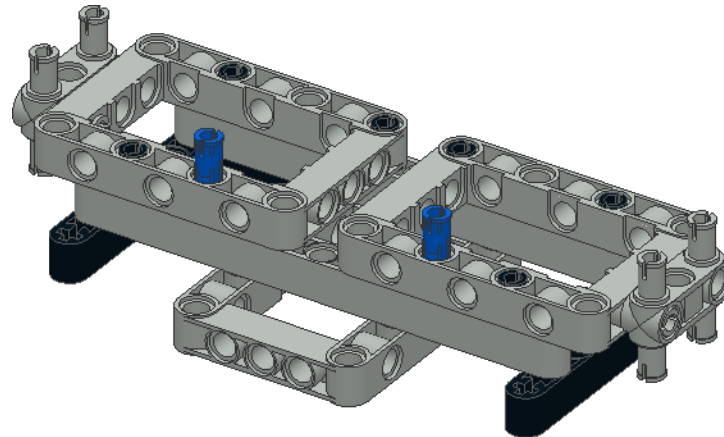
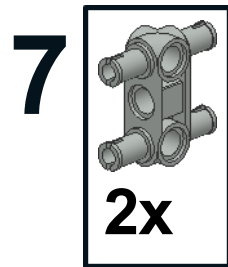
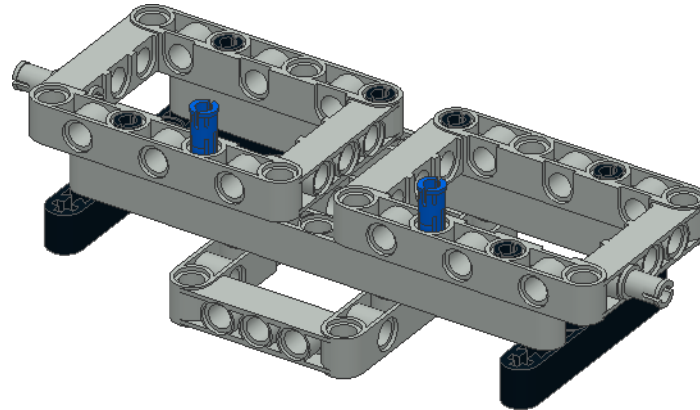
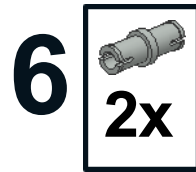
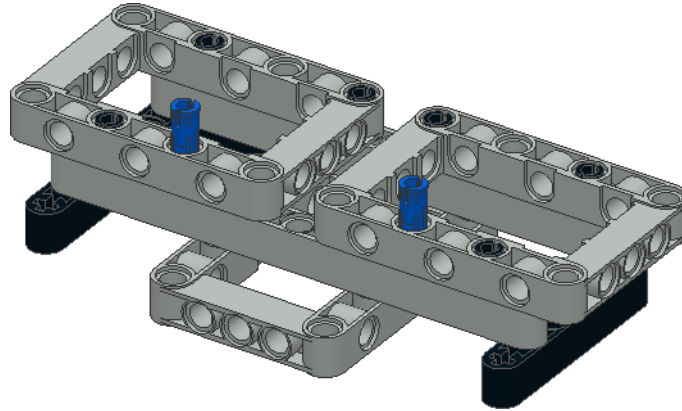
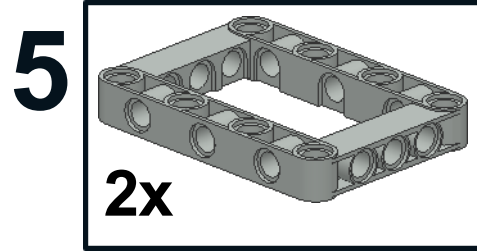
EV3 Print3rbot



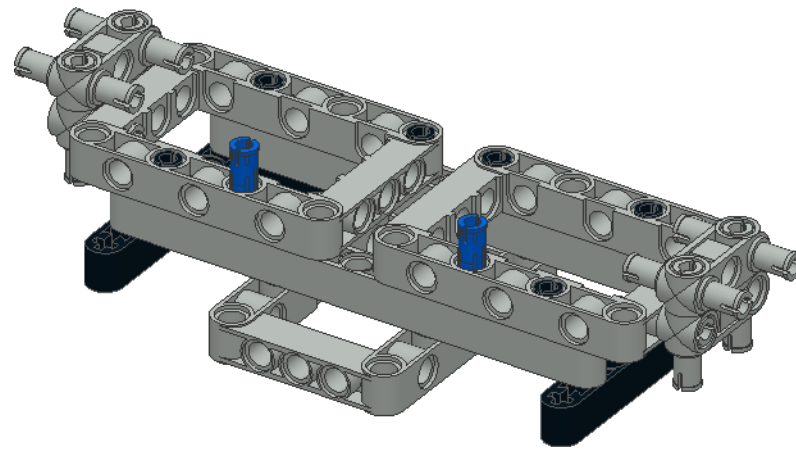
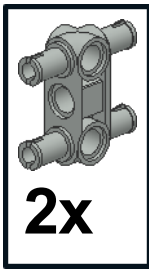




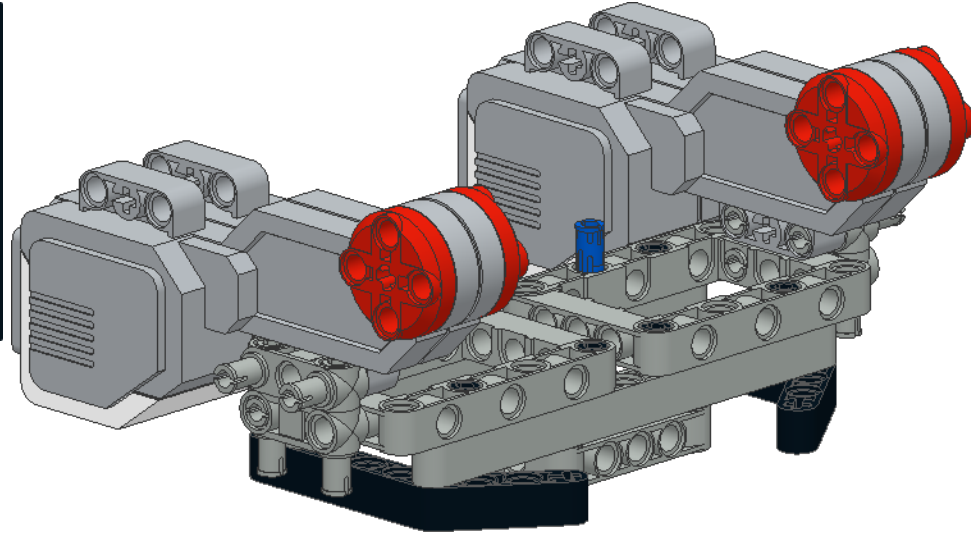
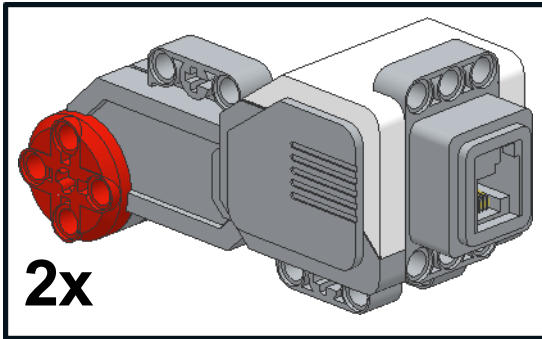




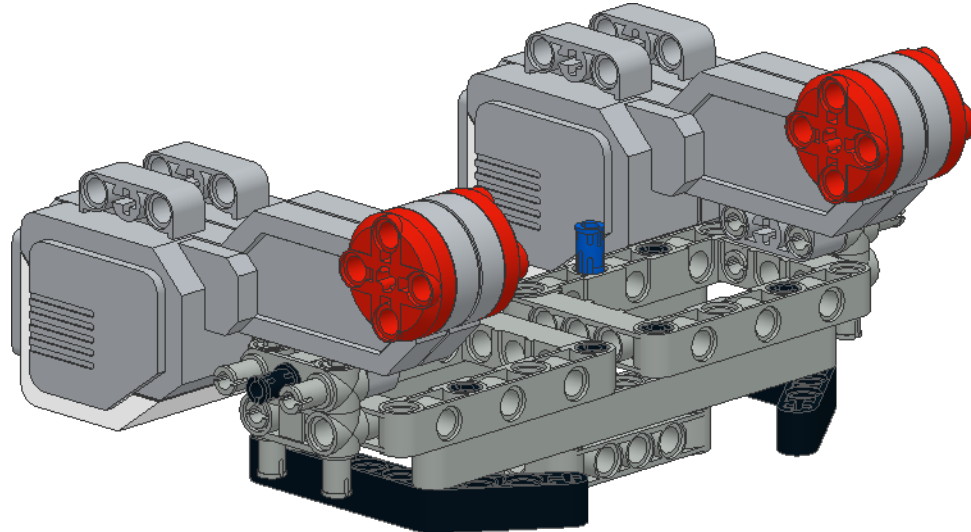
8



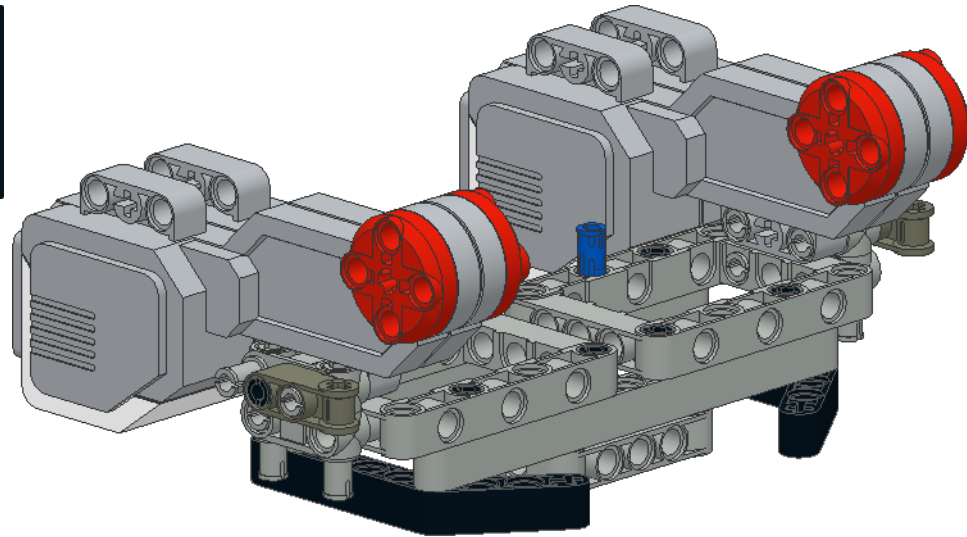
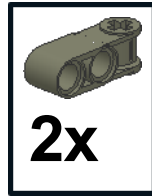
9



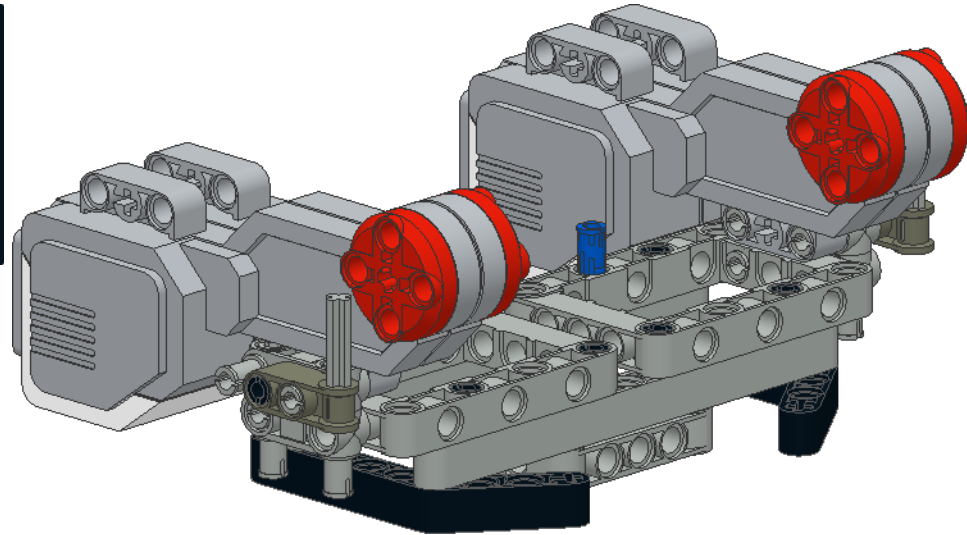
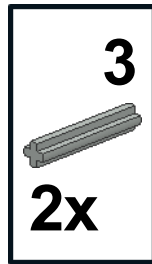
10



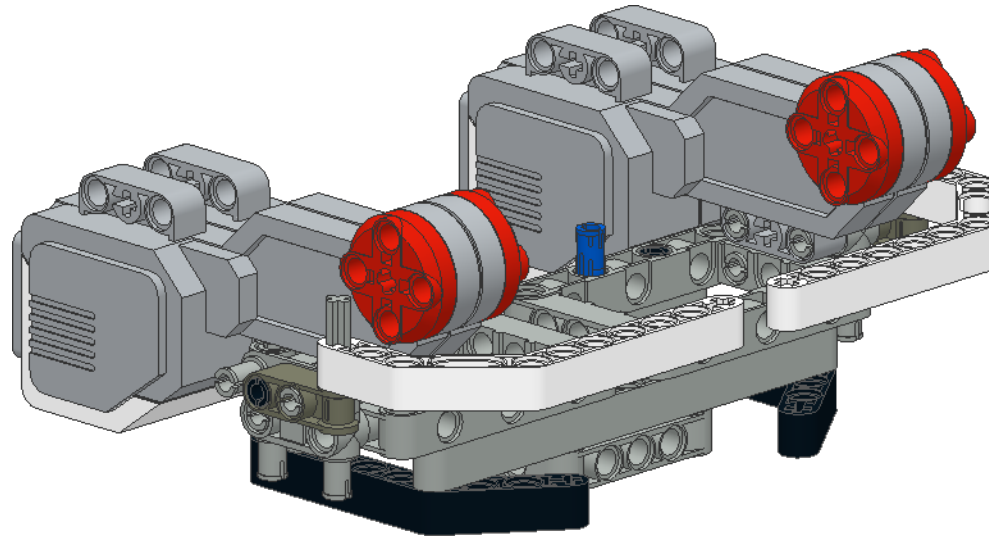
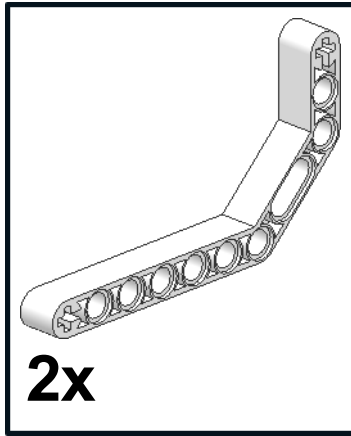
11



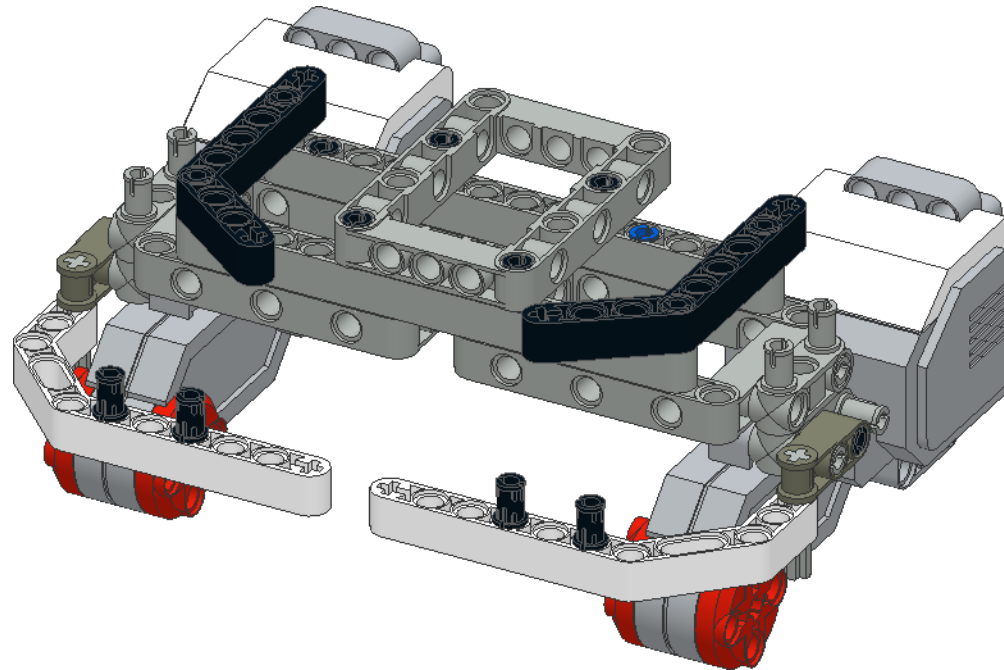
12



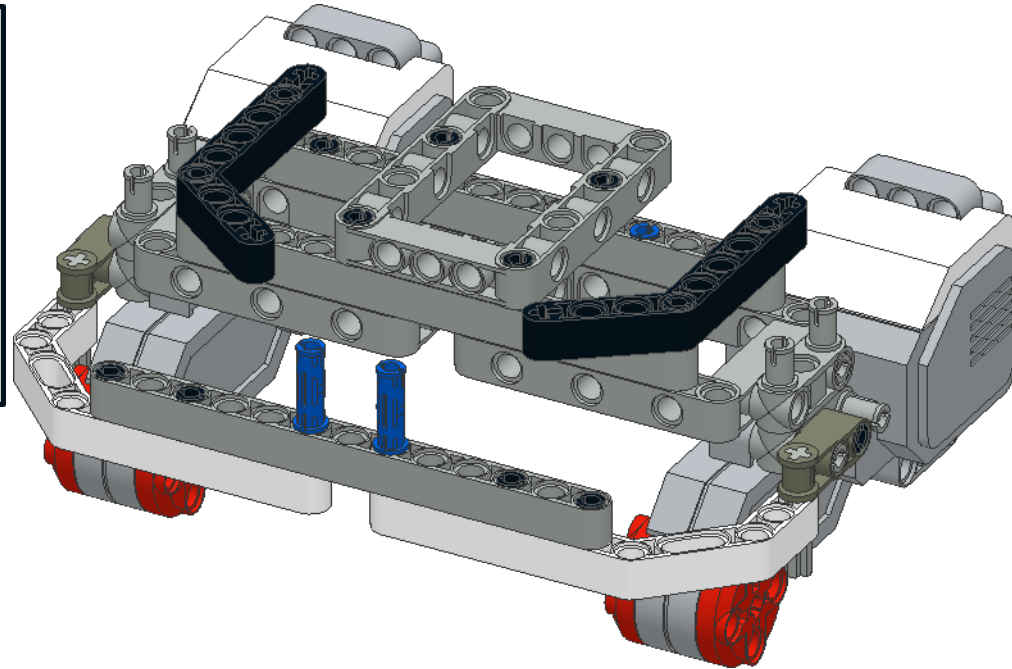
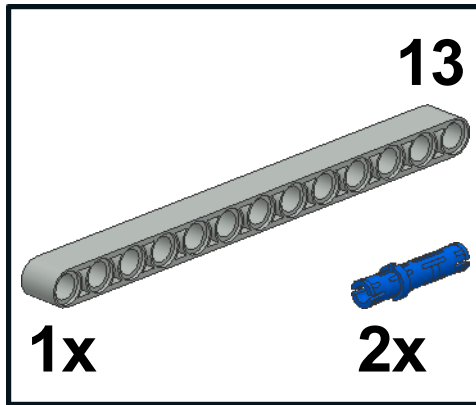
13



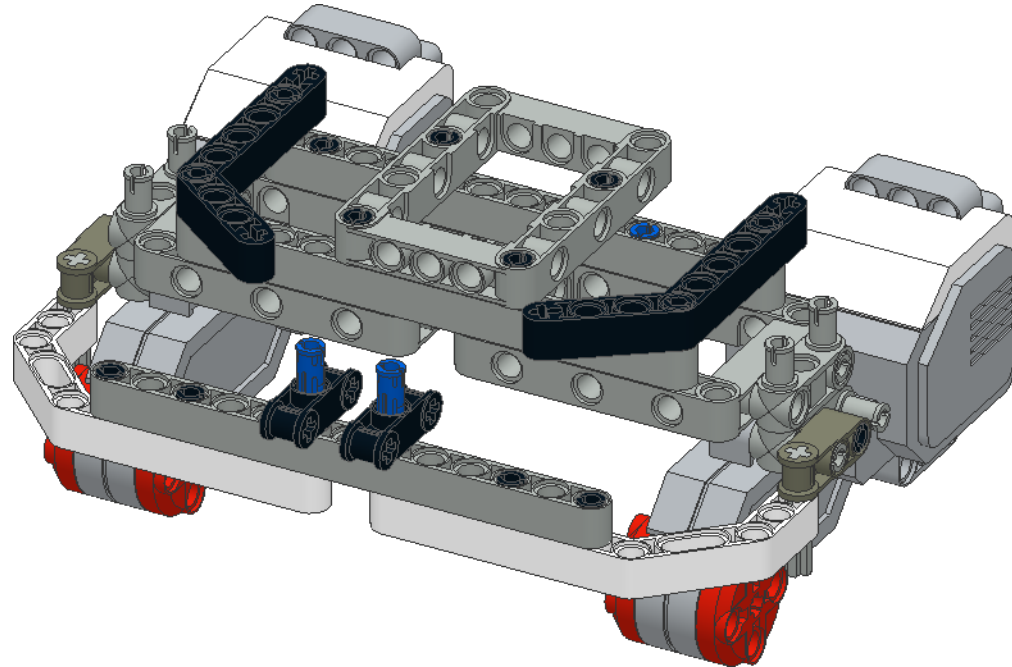
14



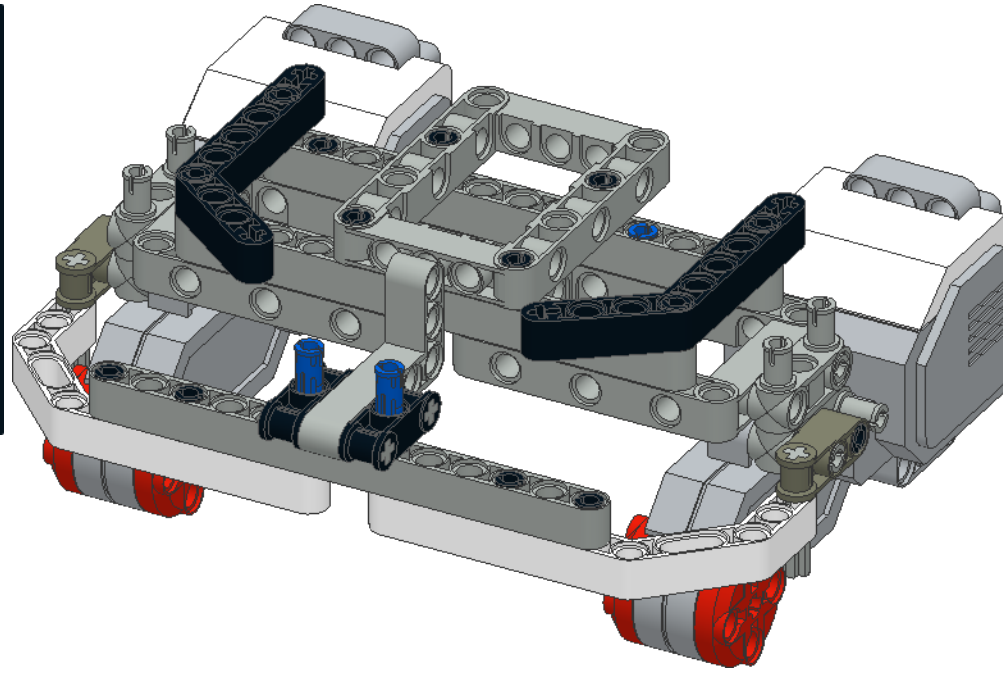
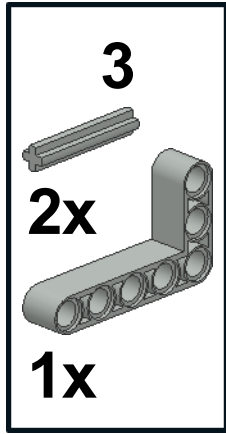
15



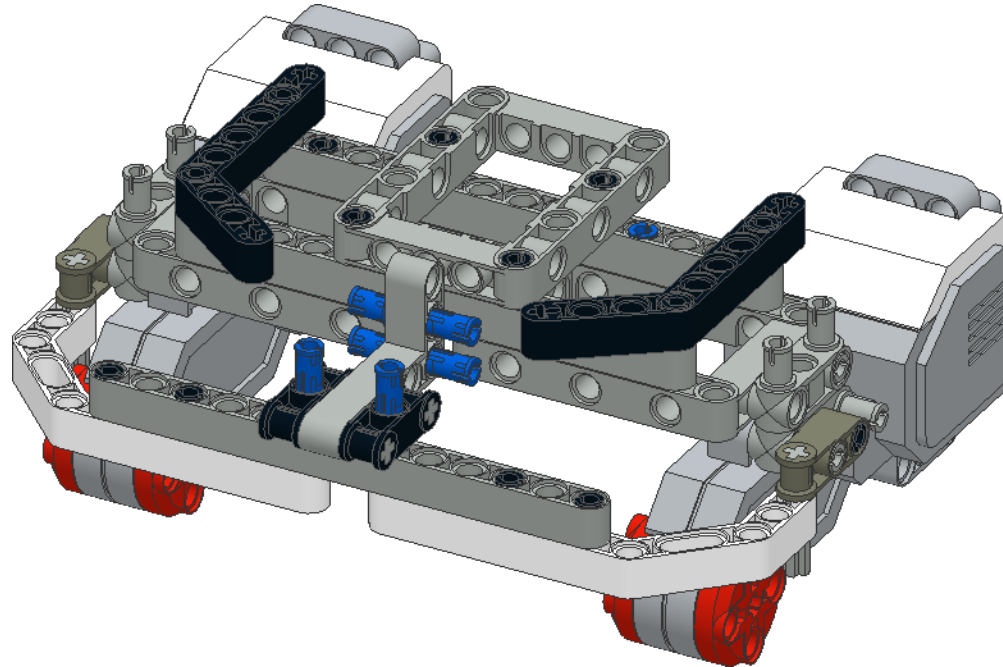
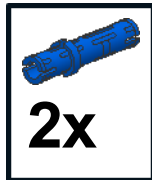
16



17

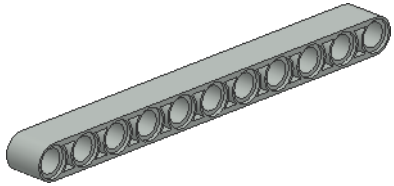


18

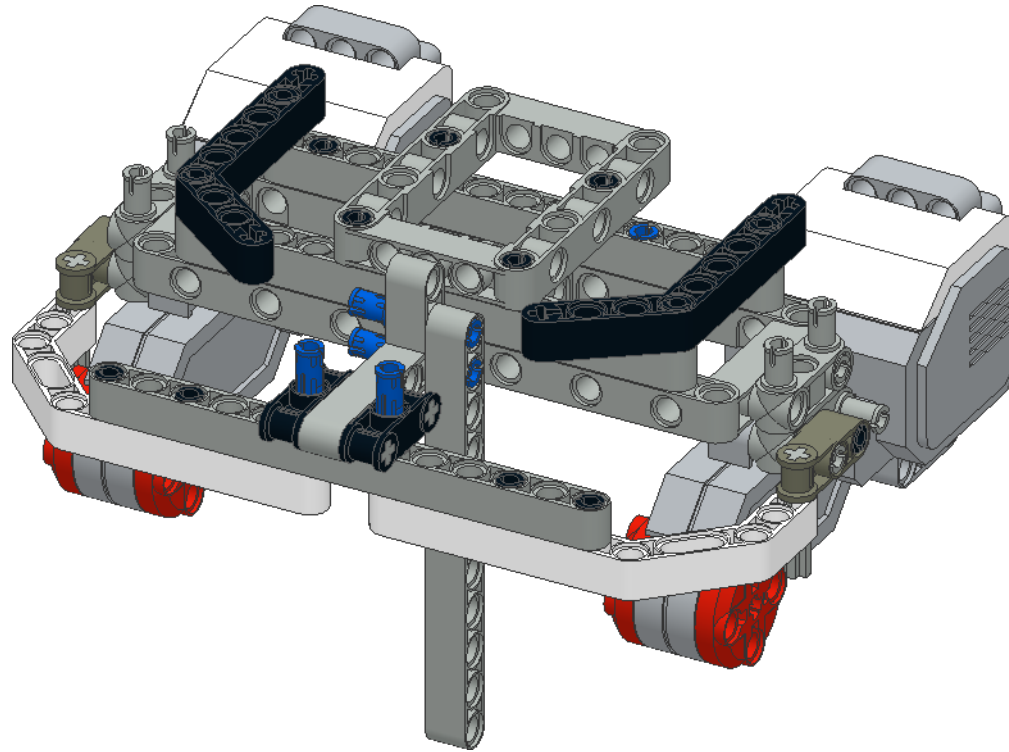


19

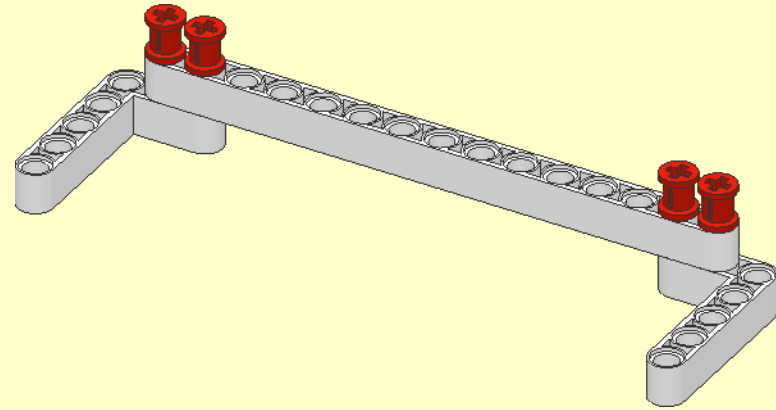
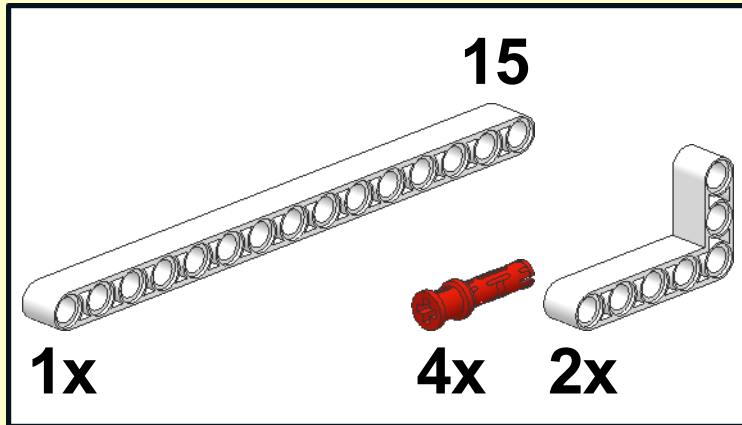
11



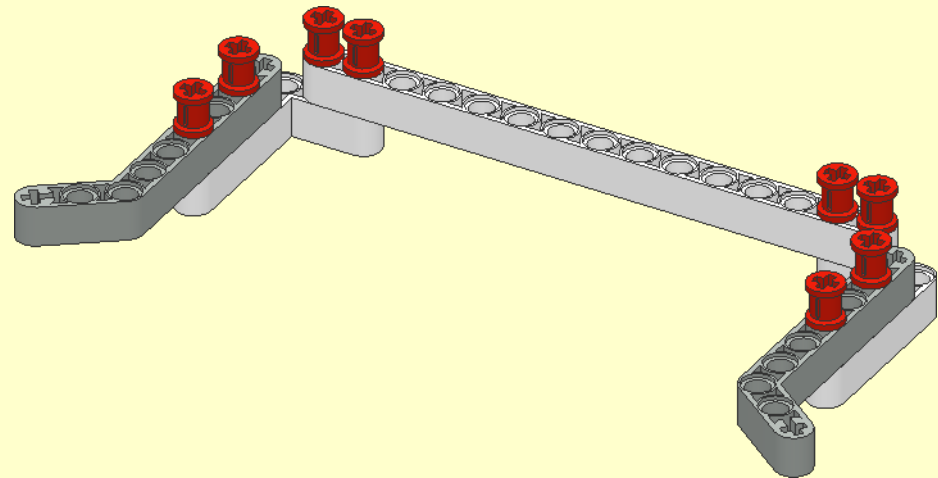
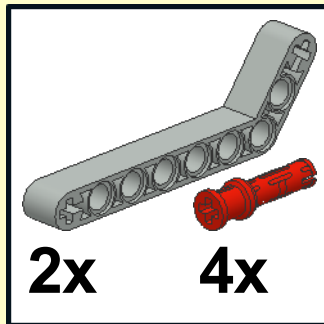
1x

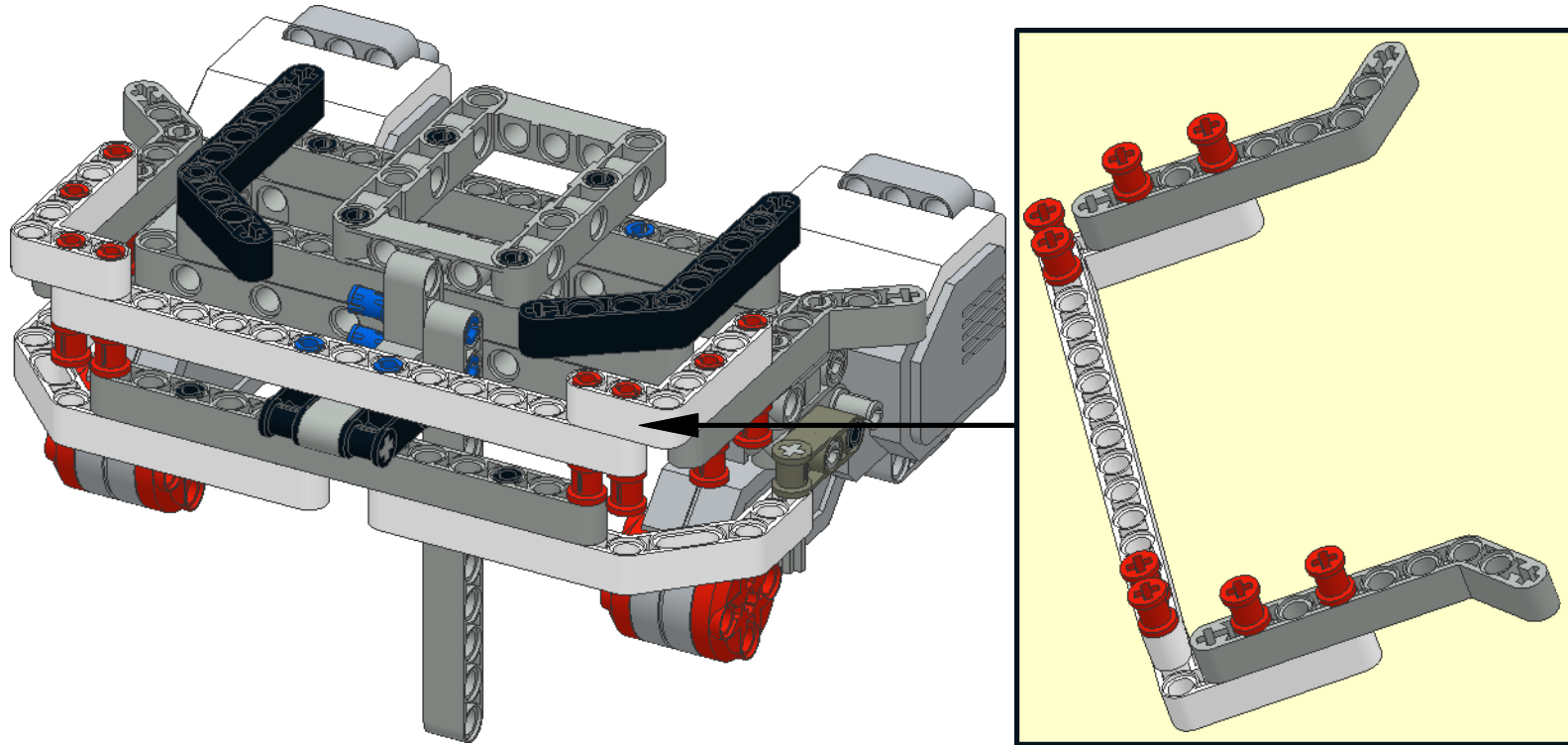


1

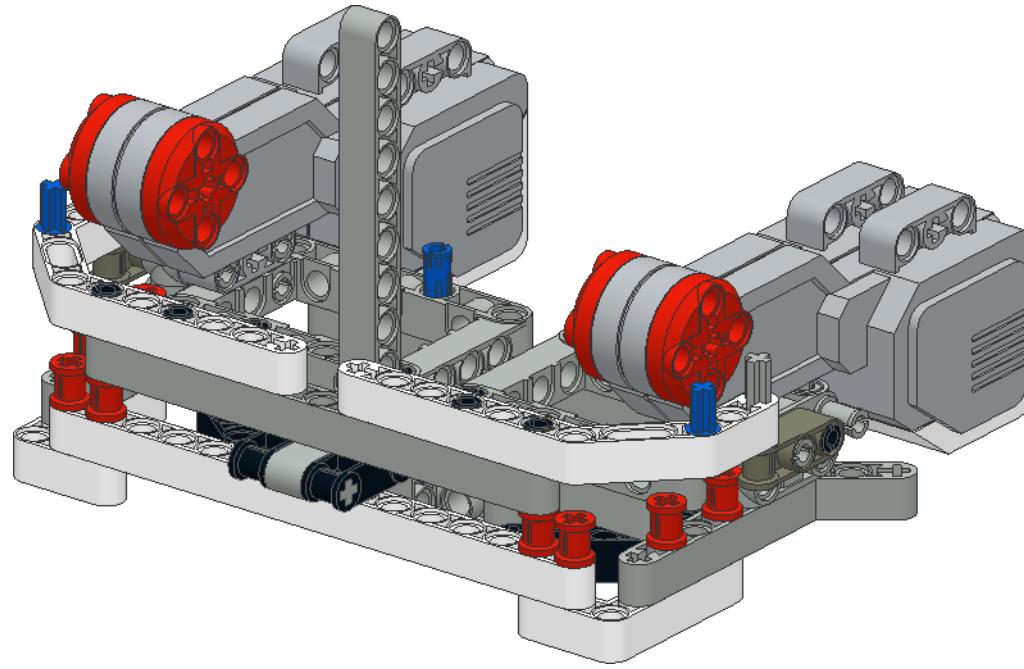
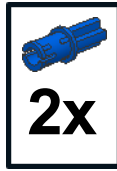


2

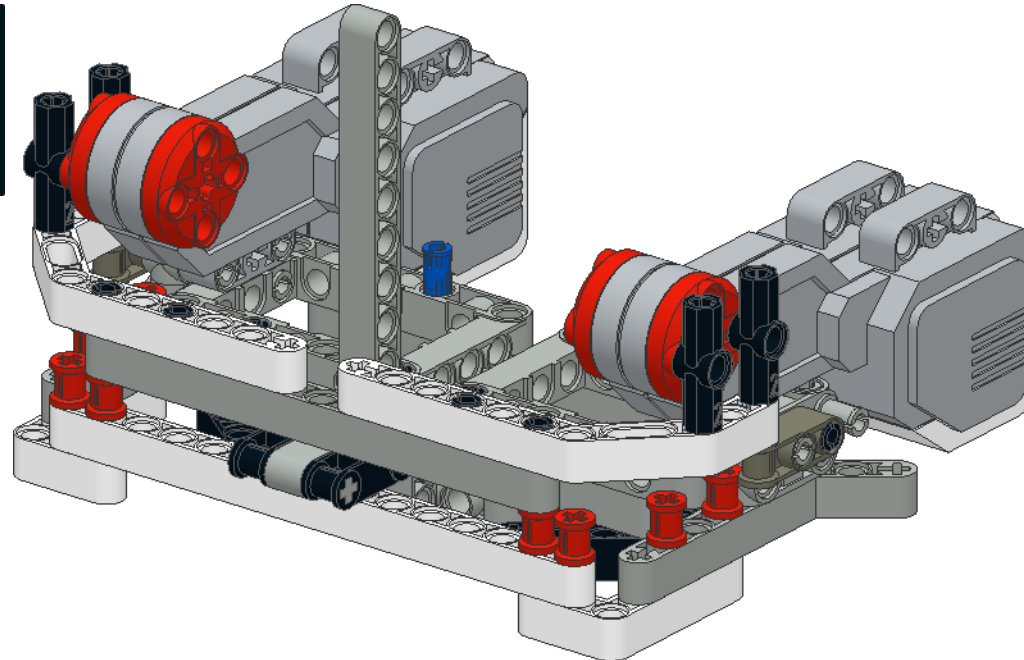




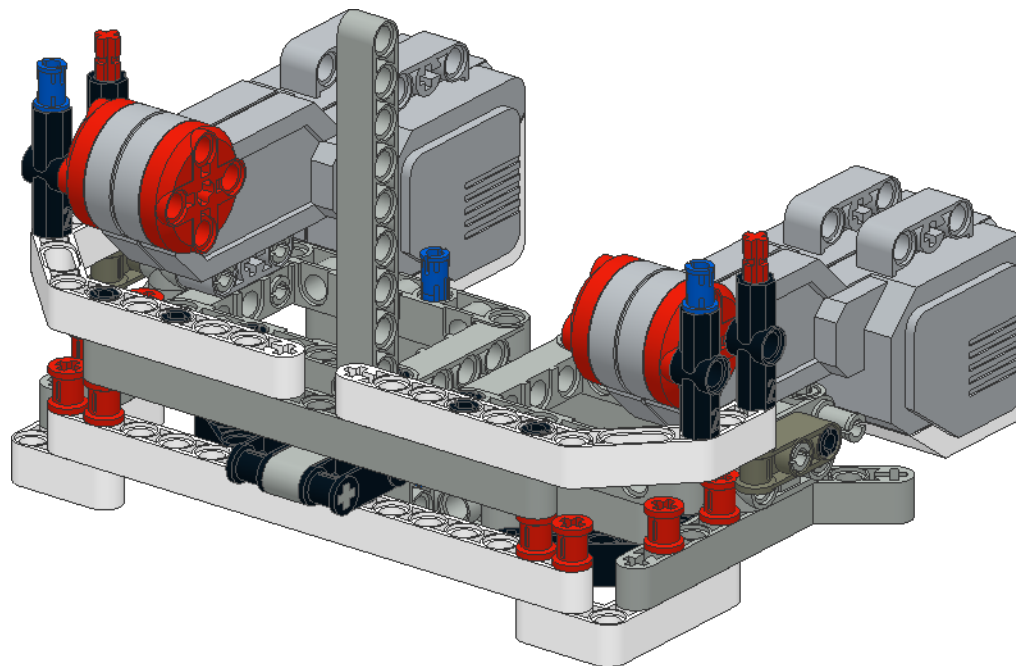
21



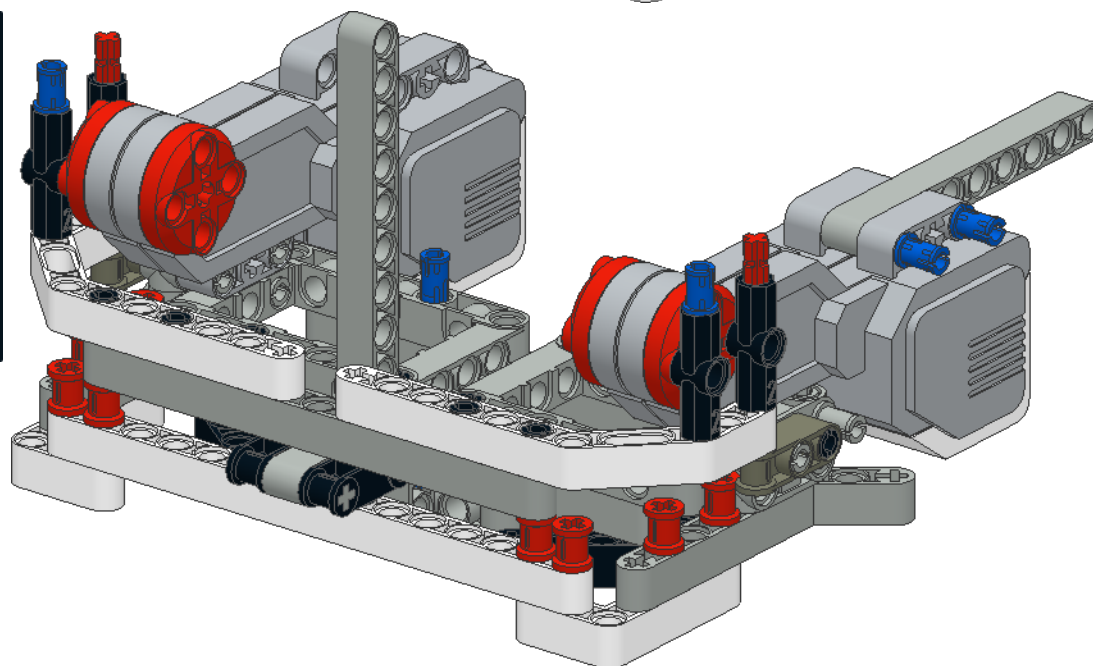
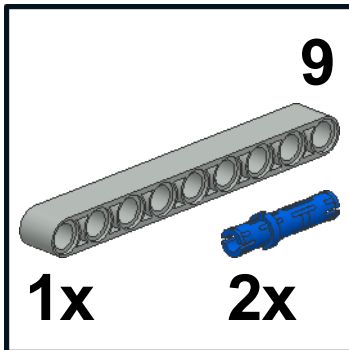
22



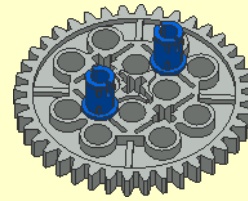
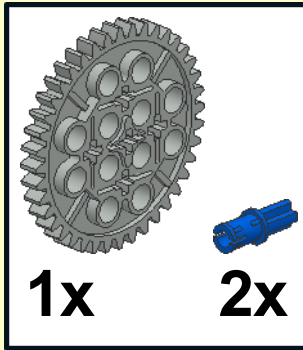
23



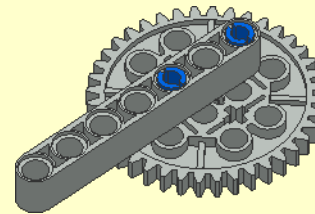
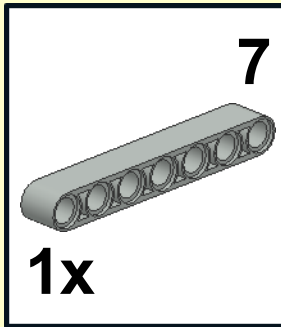
24



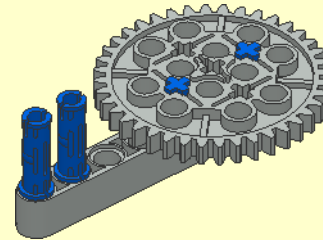
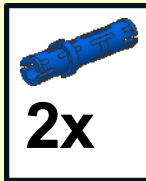
1



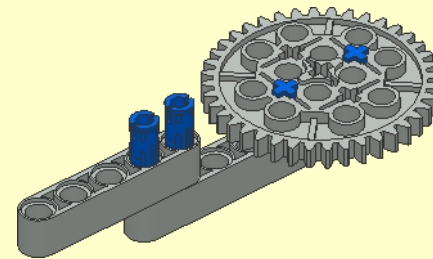
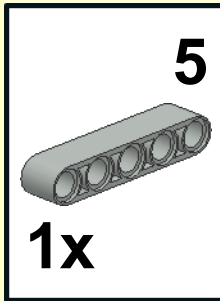
2



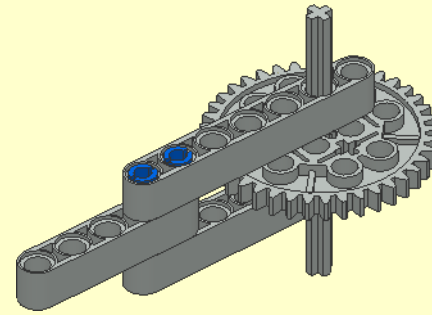
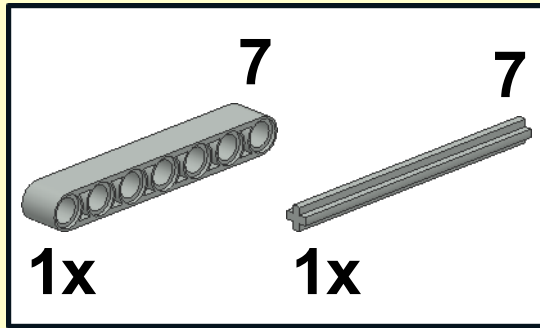
3



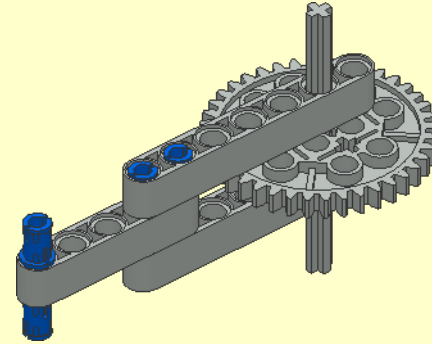
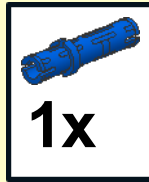
4



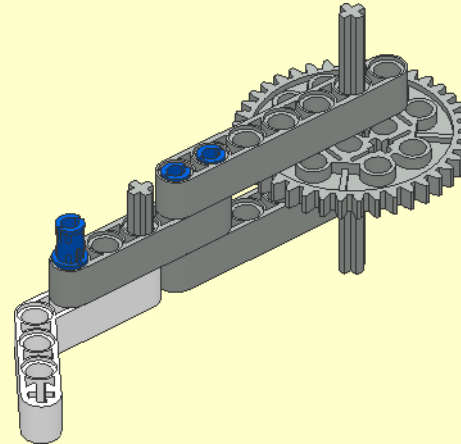
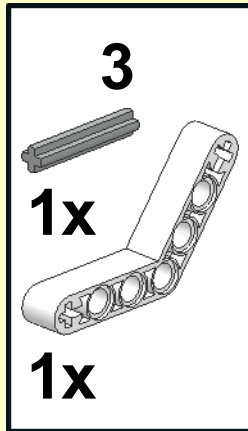
5



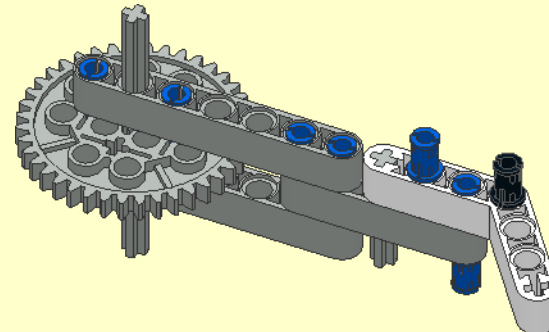
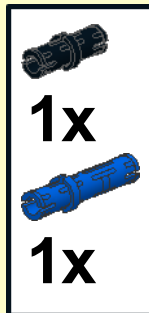
6



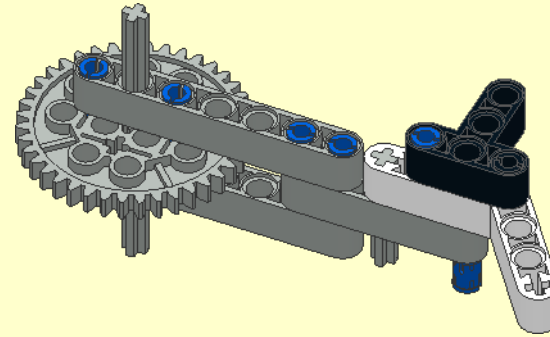
7



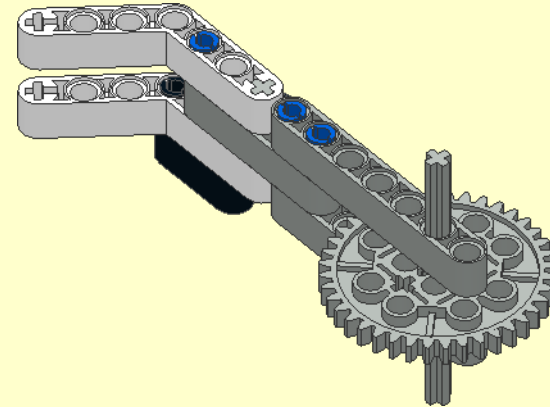
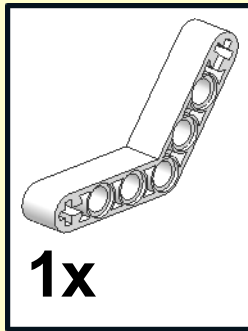
8



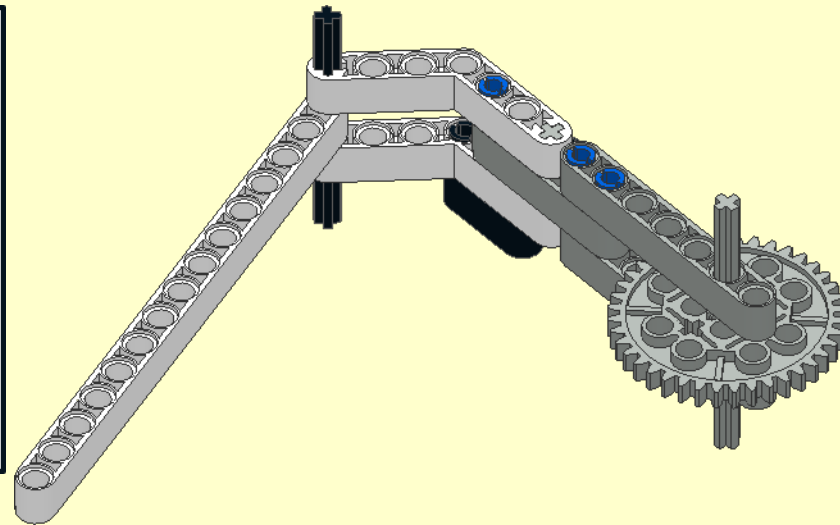
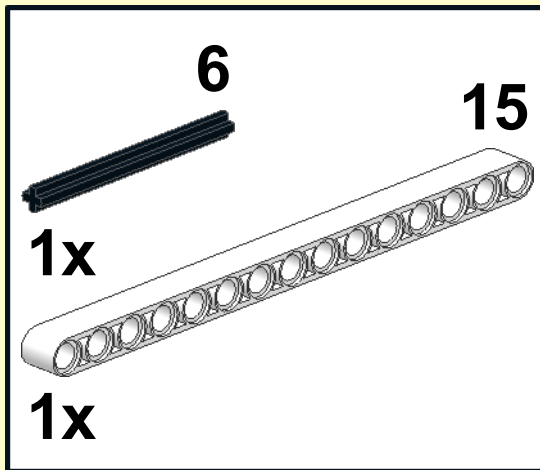
9



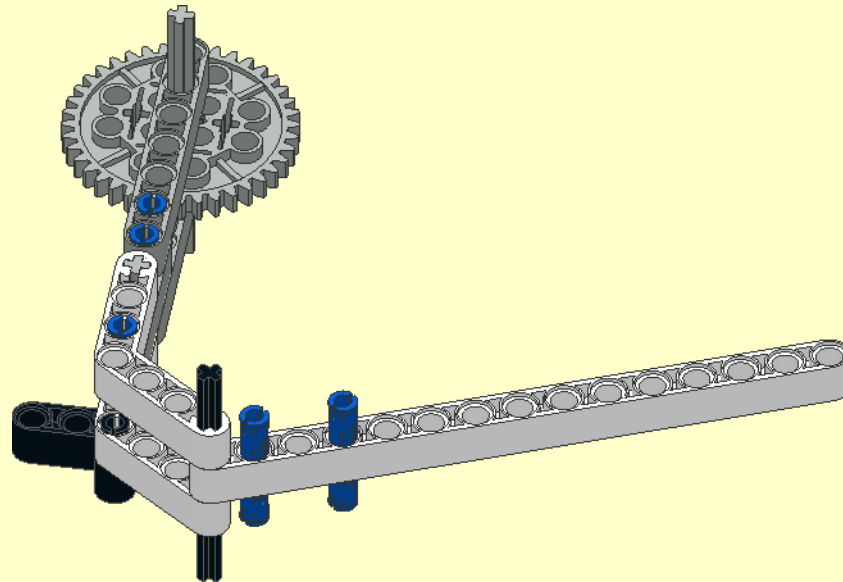
10



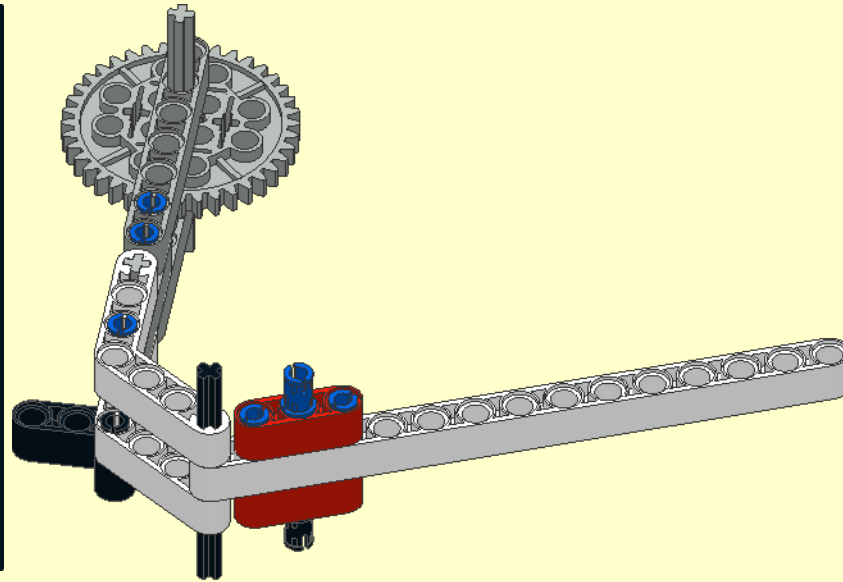
11



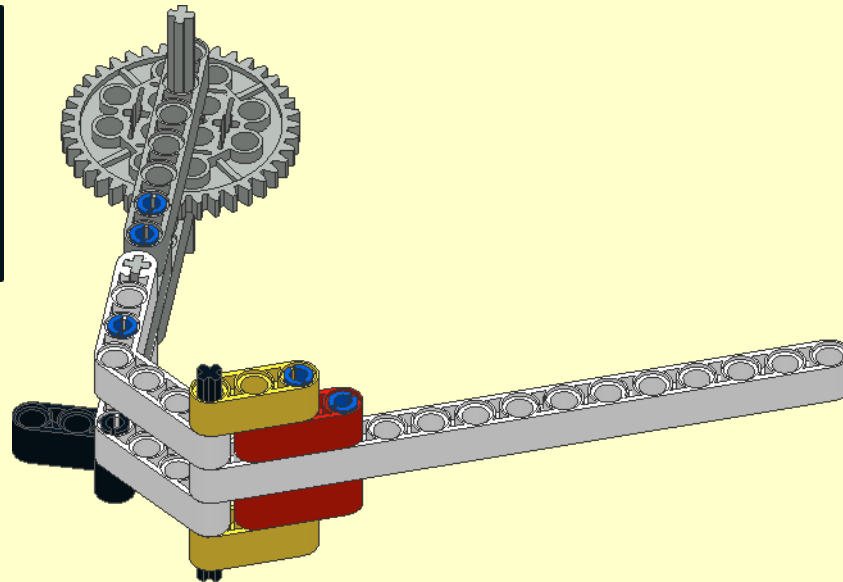
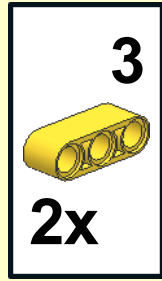
12



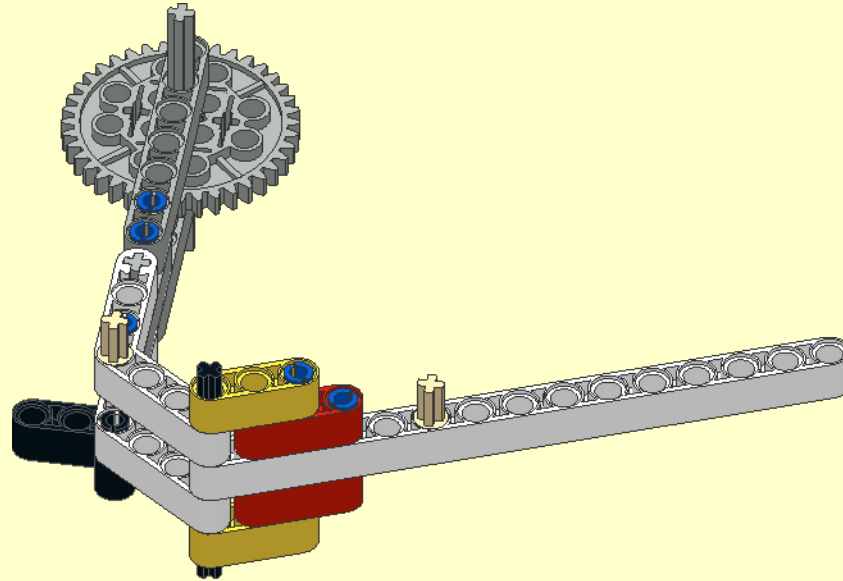
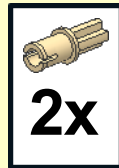
13




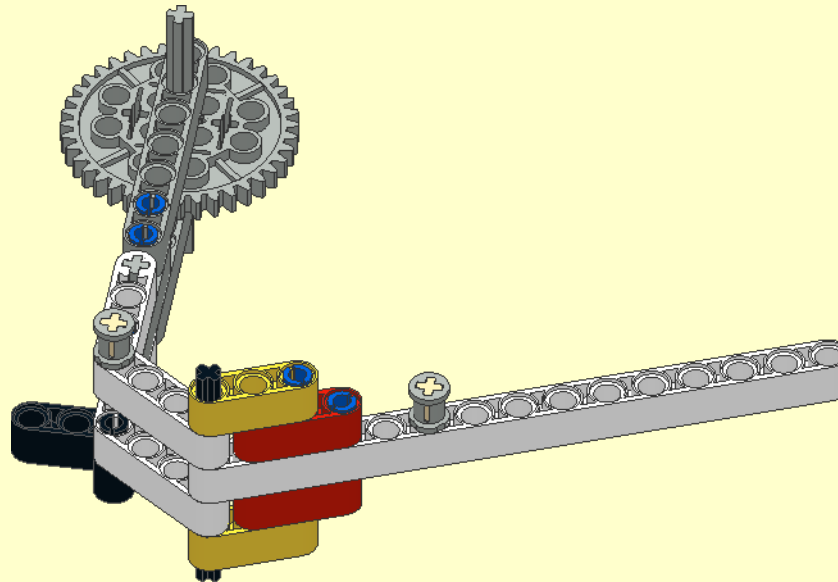
14



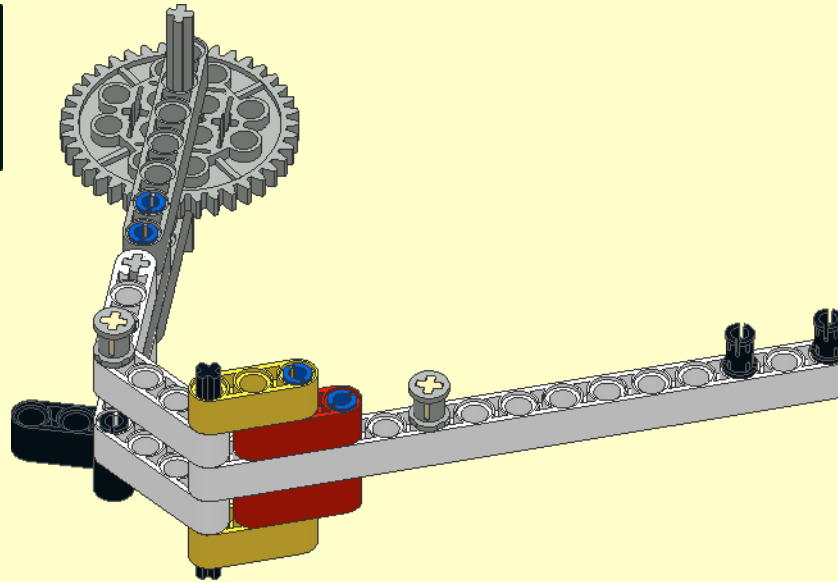
15



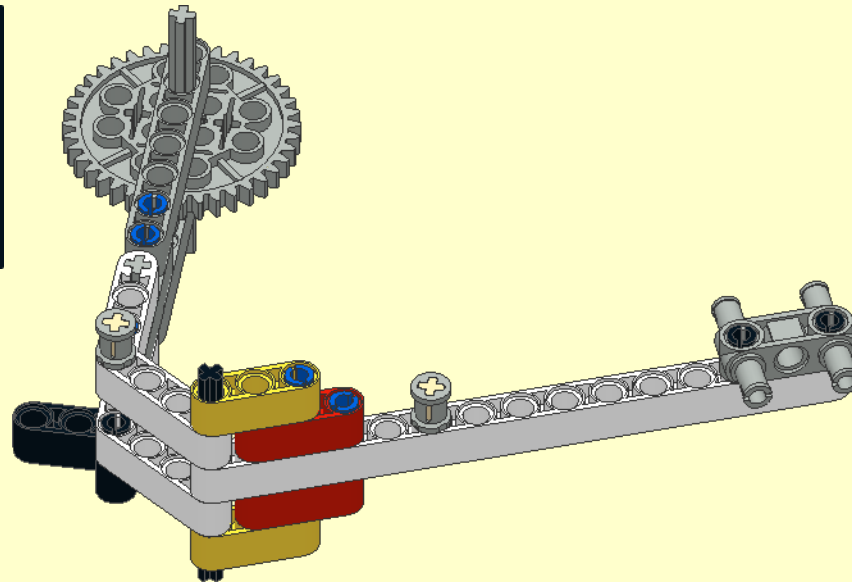
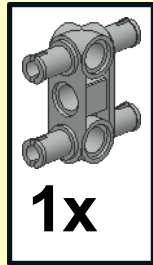
16  2x



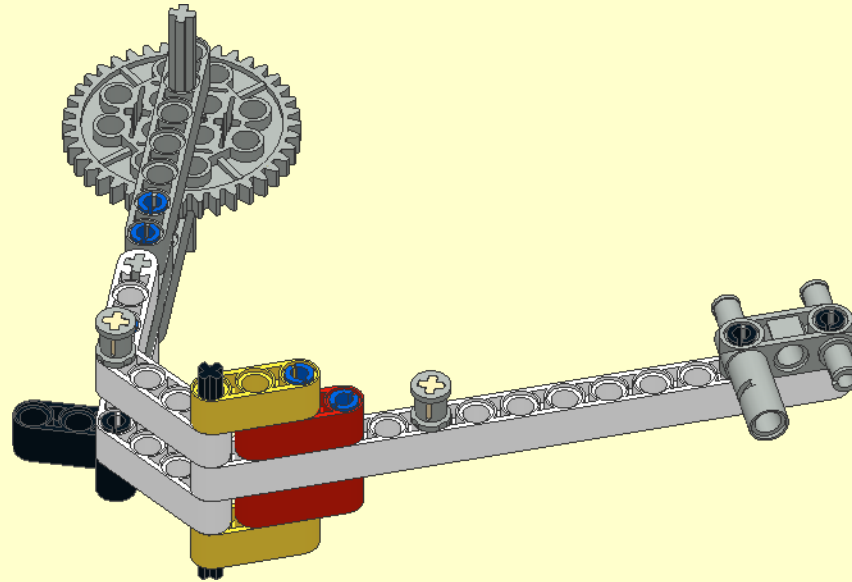
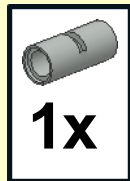
17  2x

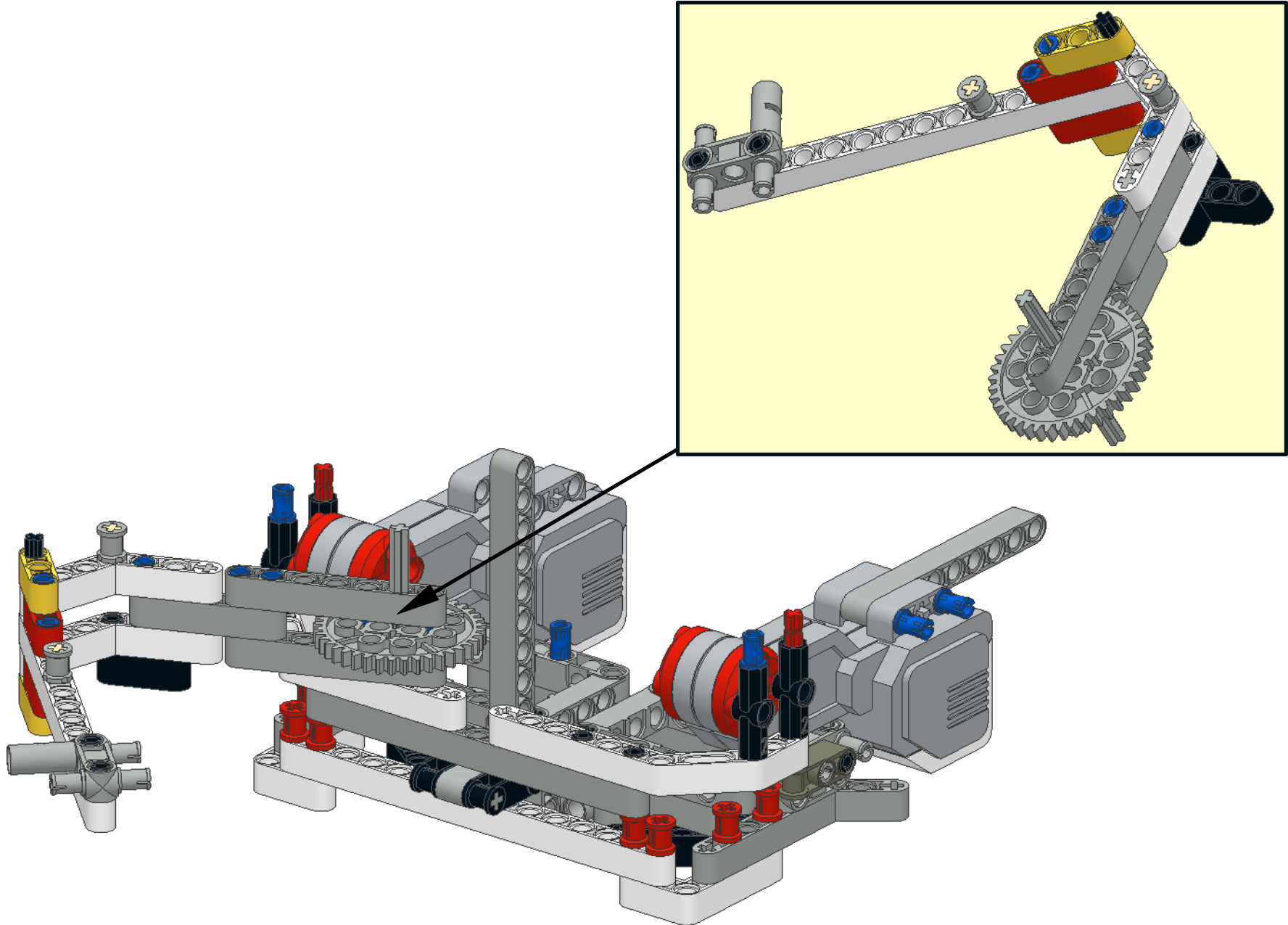


18

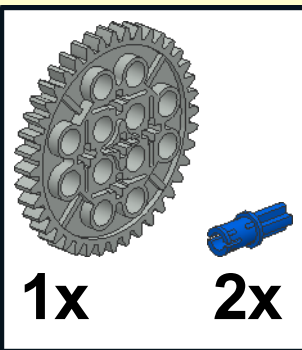


19



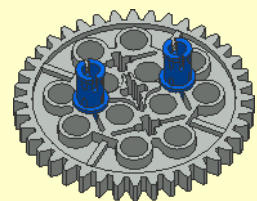


1

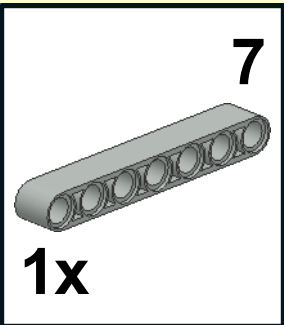


1x 2x

This block shows the parts list for step 1. It includes one grey gear with 24 teeth and two blue pins. The gear has a central hole and several smaller holes around its perimeter.



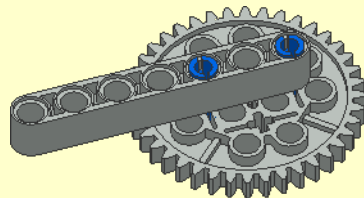
2



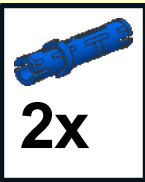
1x 7

1x

This block shows the parts list for step 2. It includes one grey Technic beam with 7 holes. The number '7' is written in the top right corner of the box.

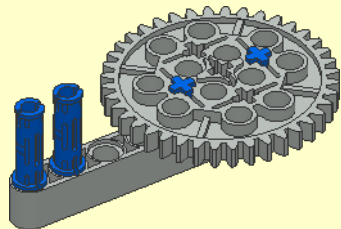


3

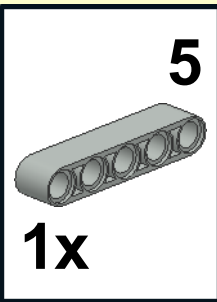


2x

This block shows the parts list for step 3. It includes two blue pins.



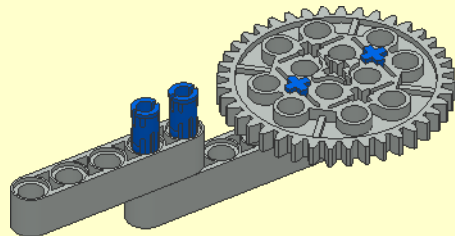
4

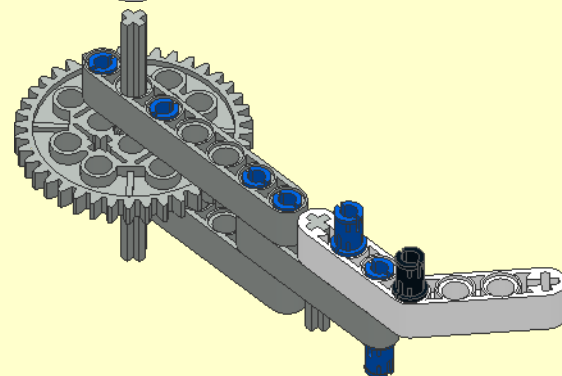
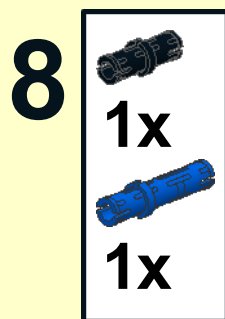
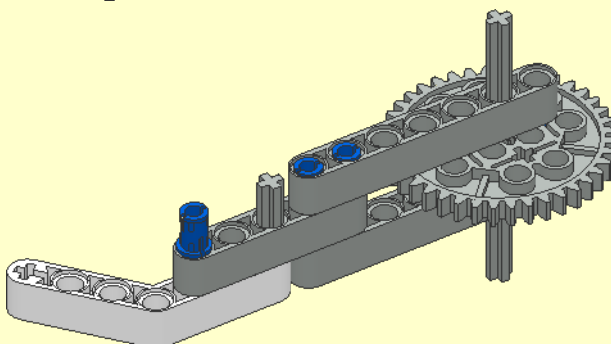
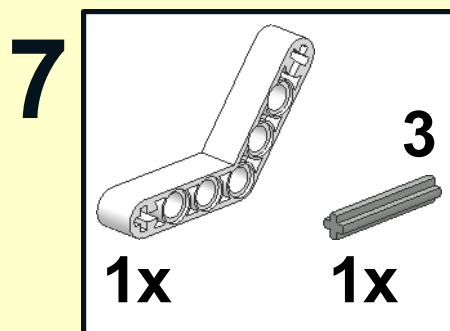
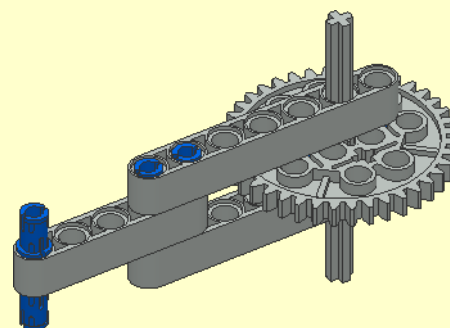
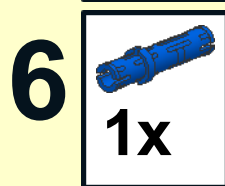
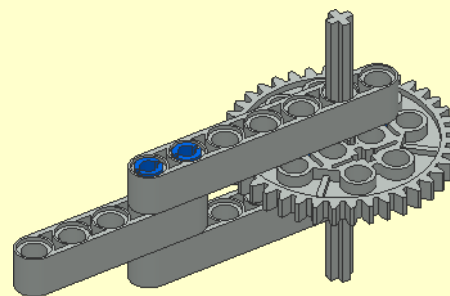
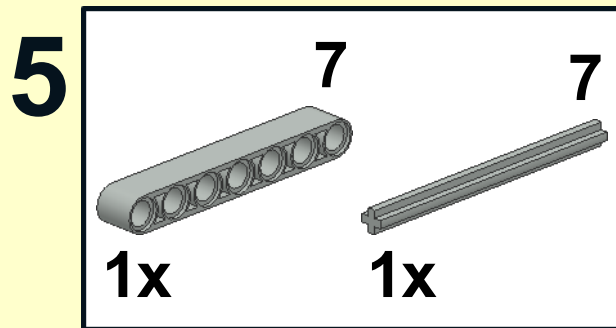


5

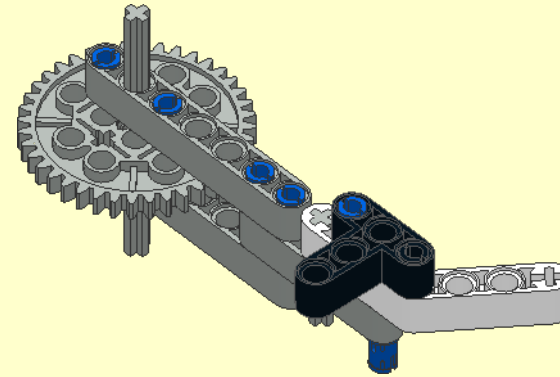
1x

This block shows the parts list for step 4. It includes one grey Technic beam with 5 holes. The number '5' is written in the top right corner of the box.

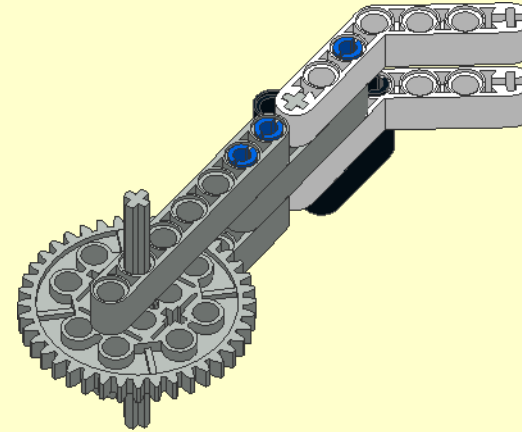
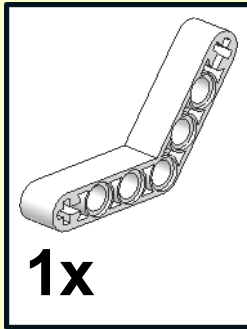




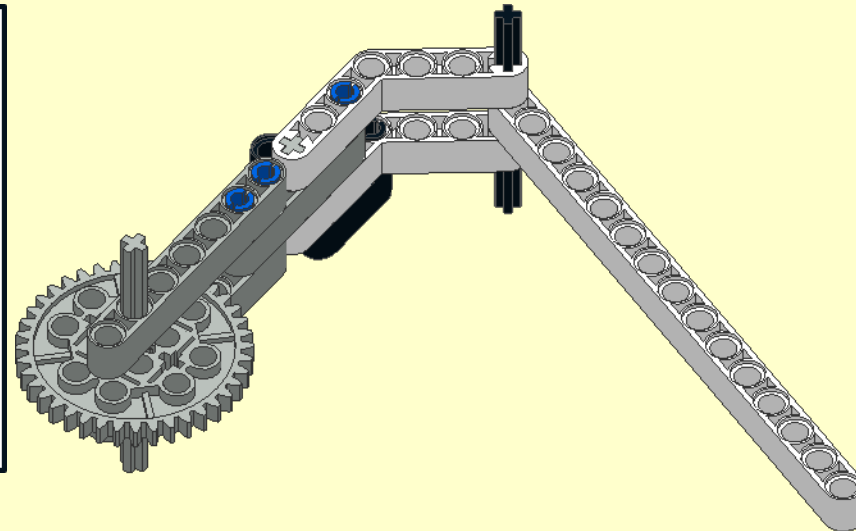
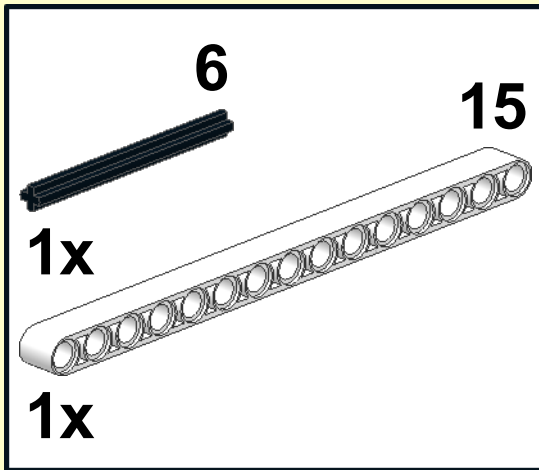
9



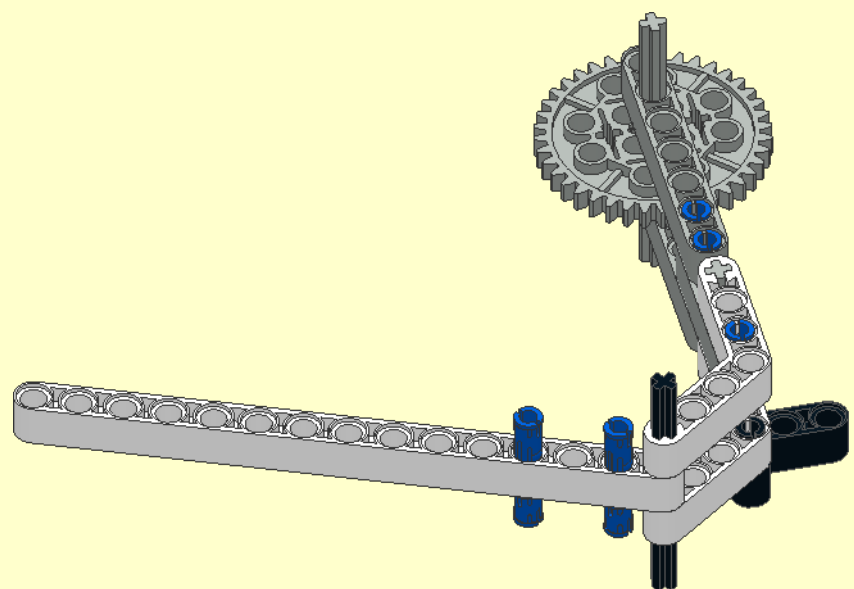
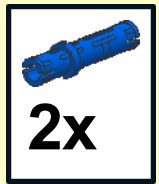
10



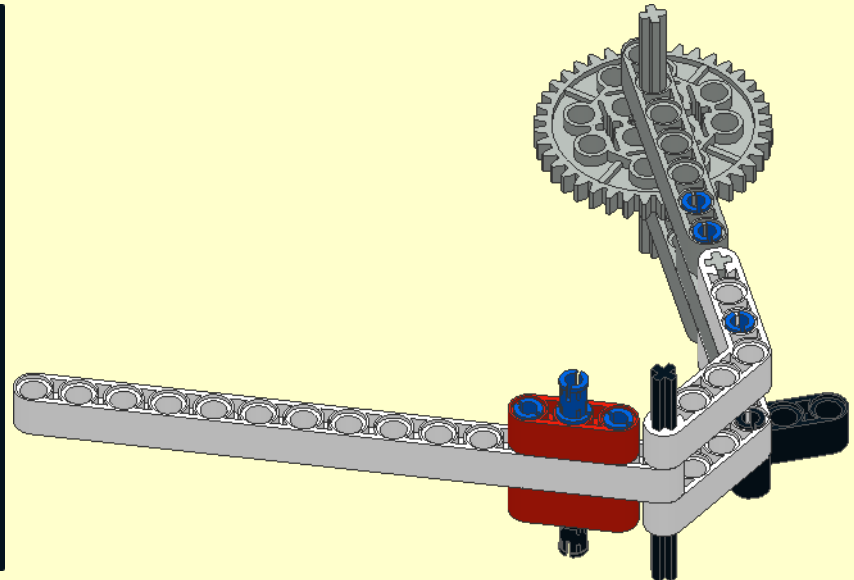
11



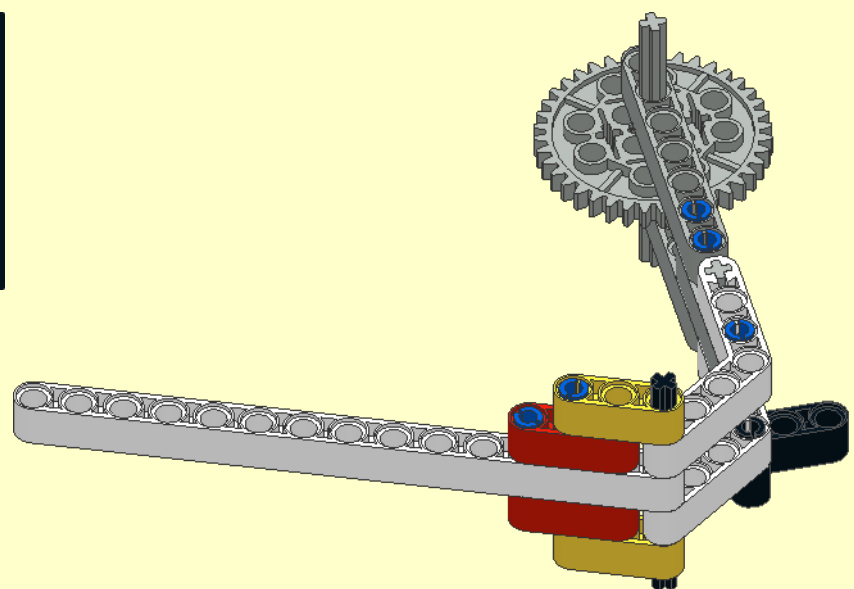
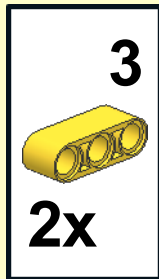
12



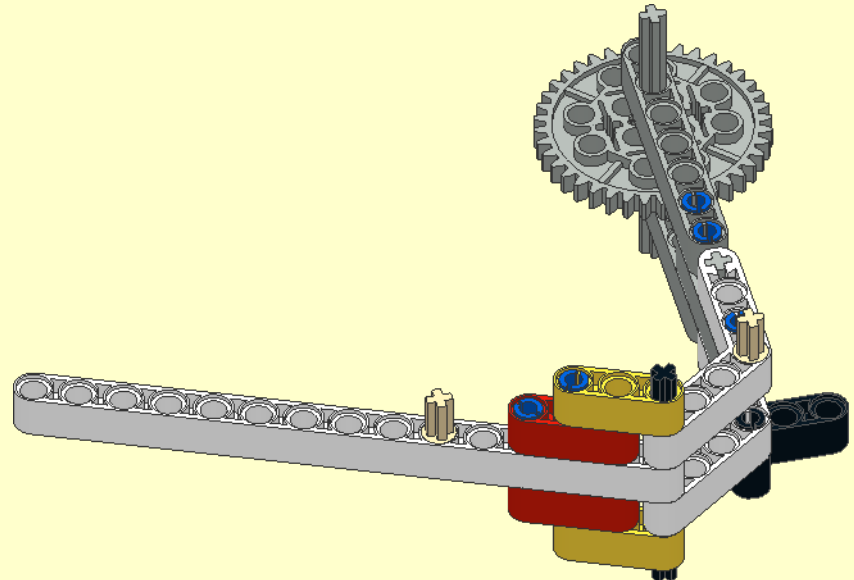
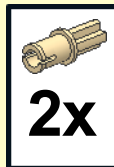
13




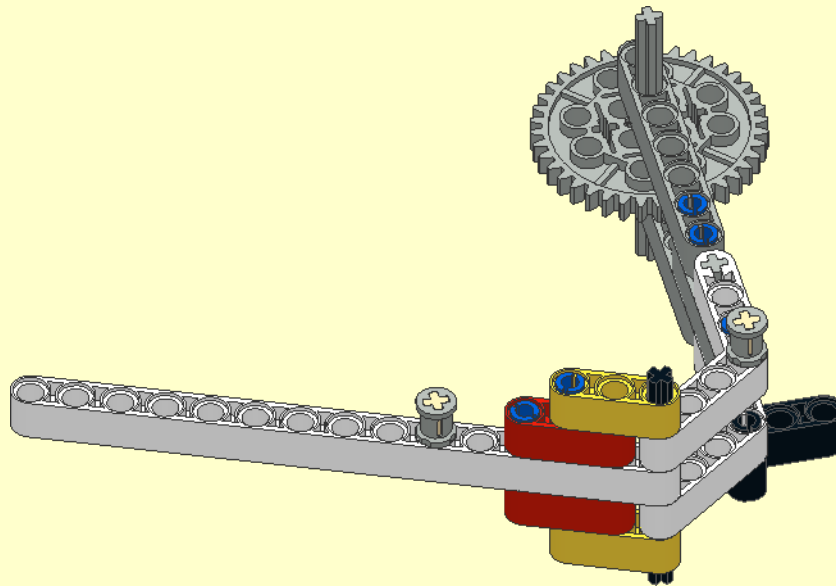
14



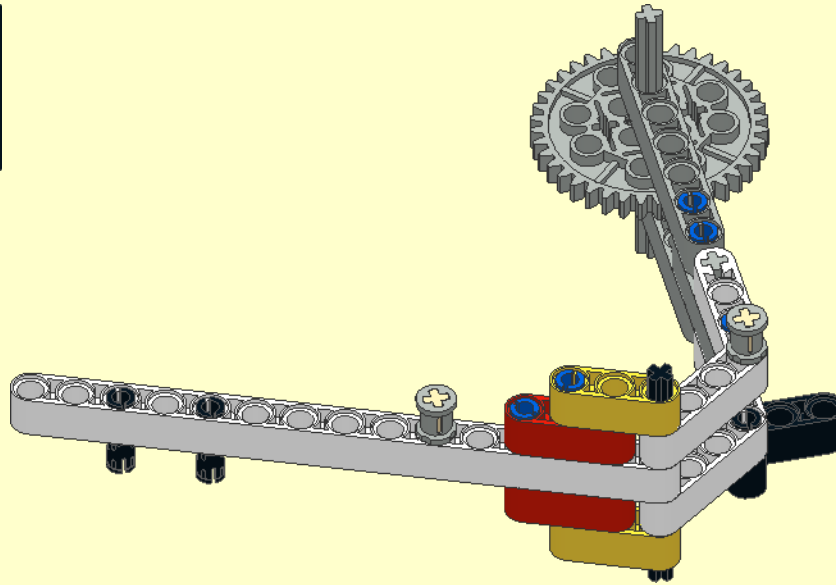
15



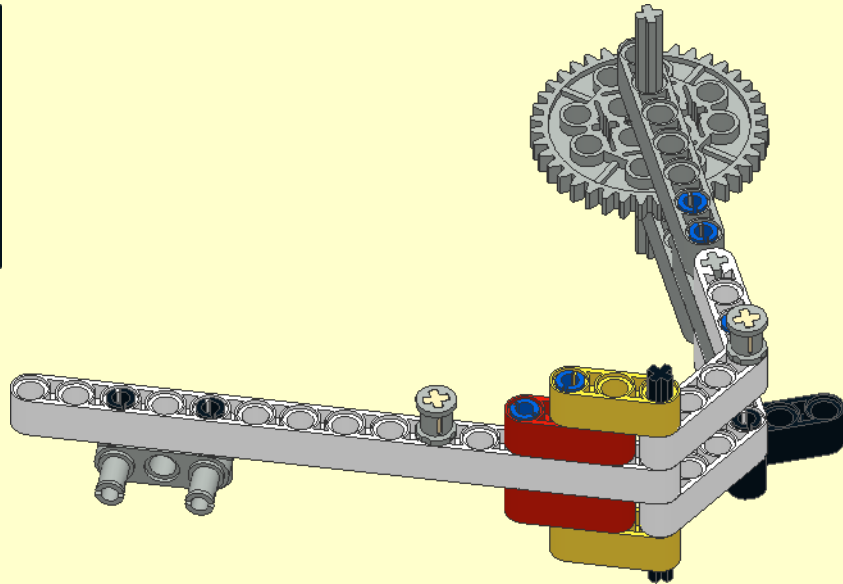
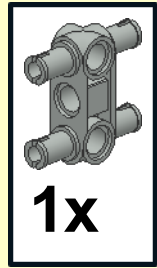
16  2x



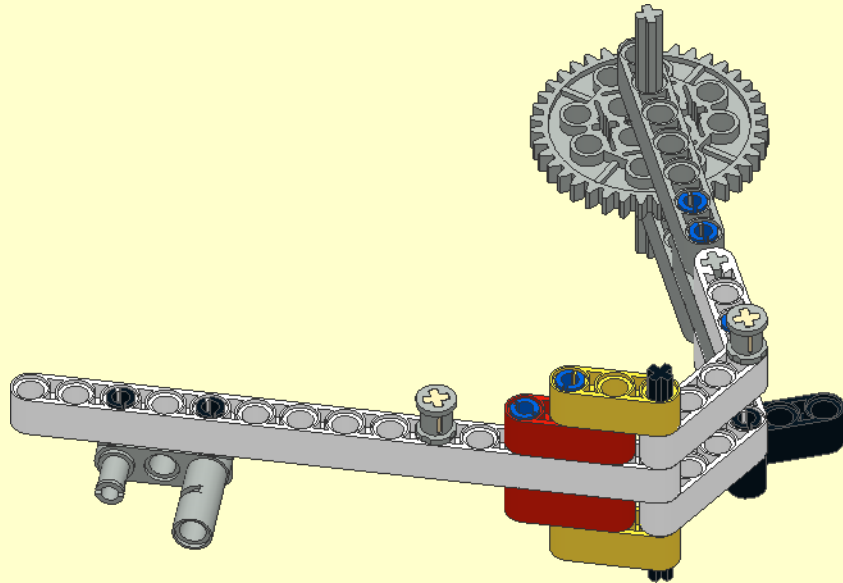
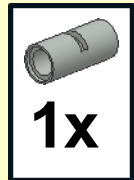
17  2x



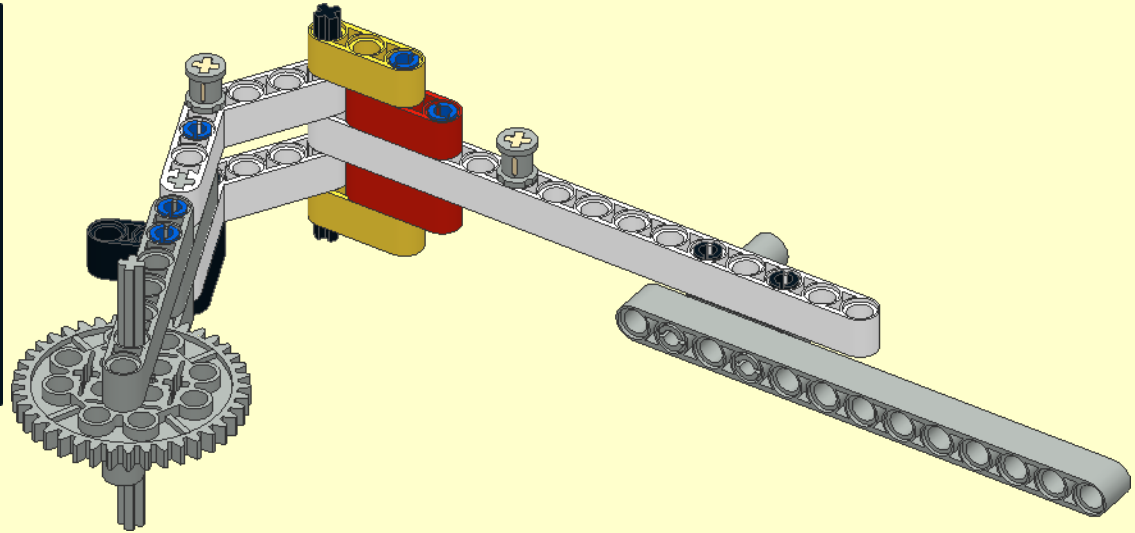
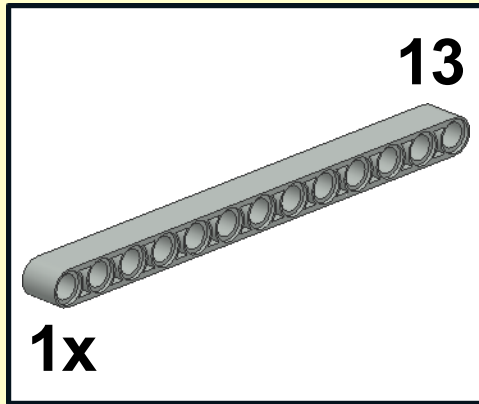
18



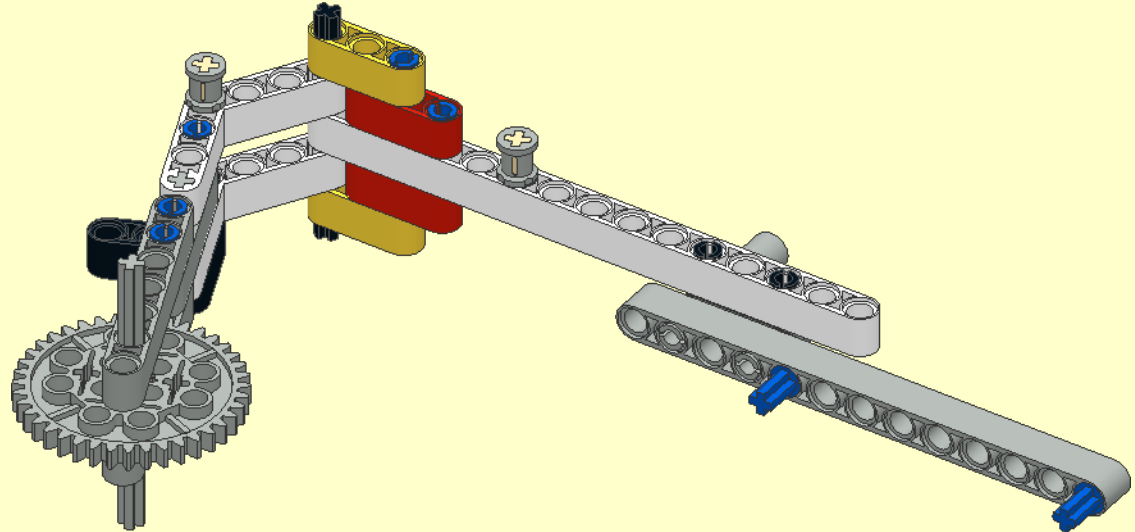
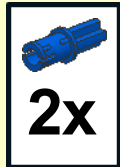
19



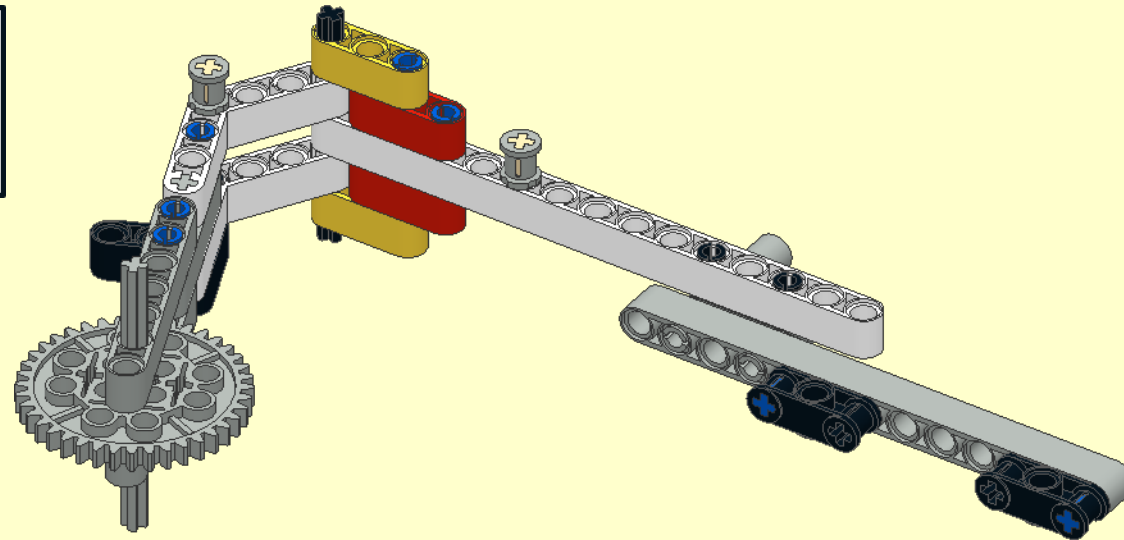
20



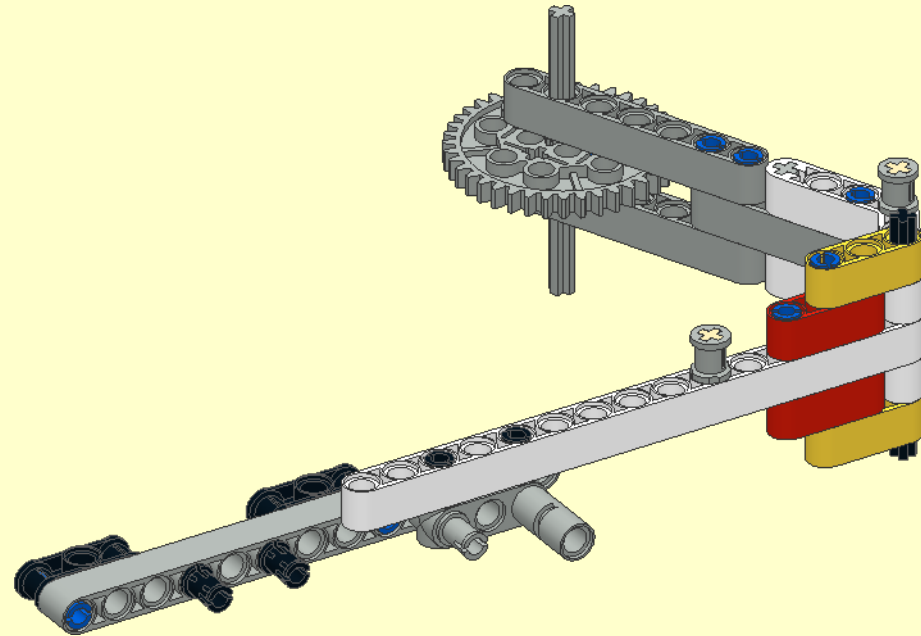
21

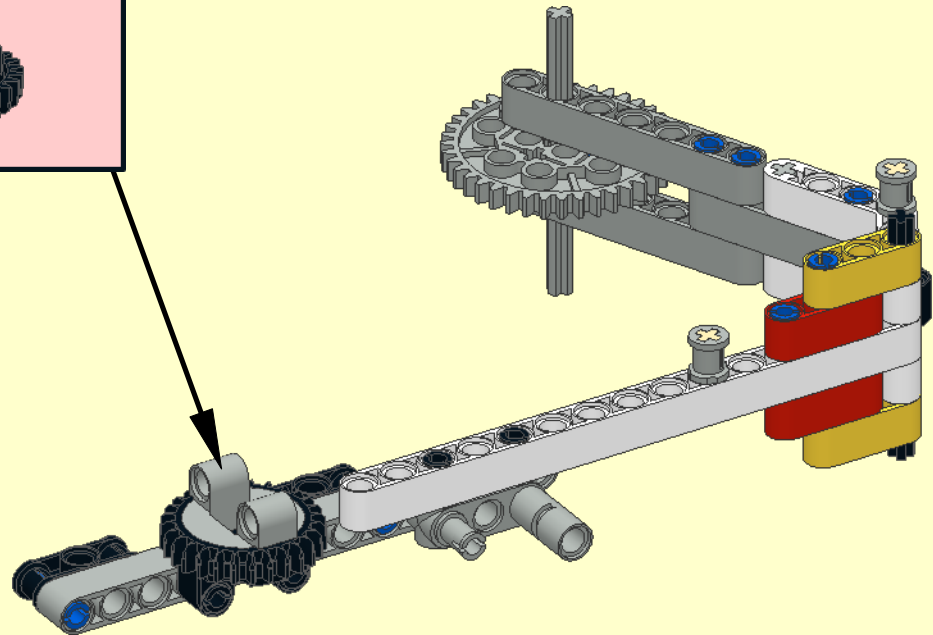
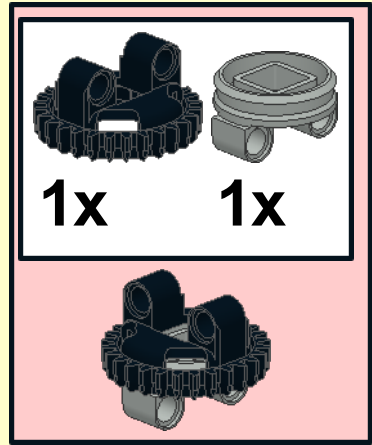


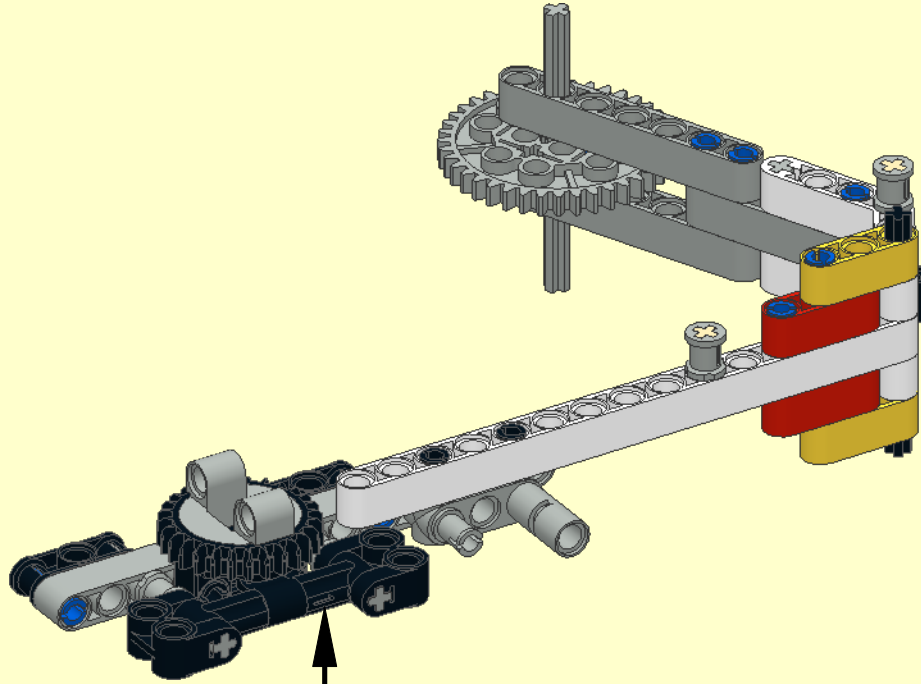
22



23

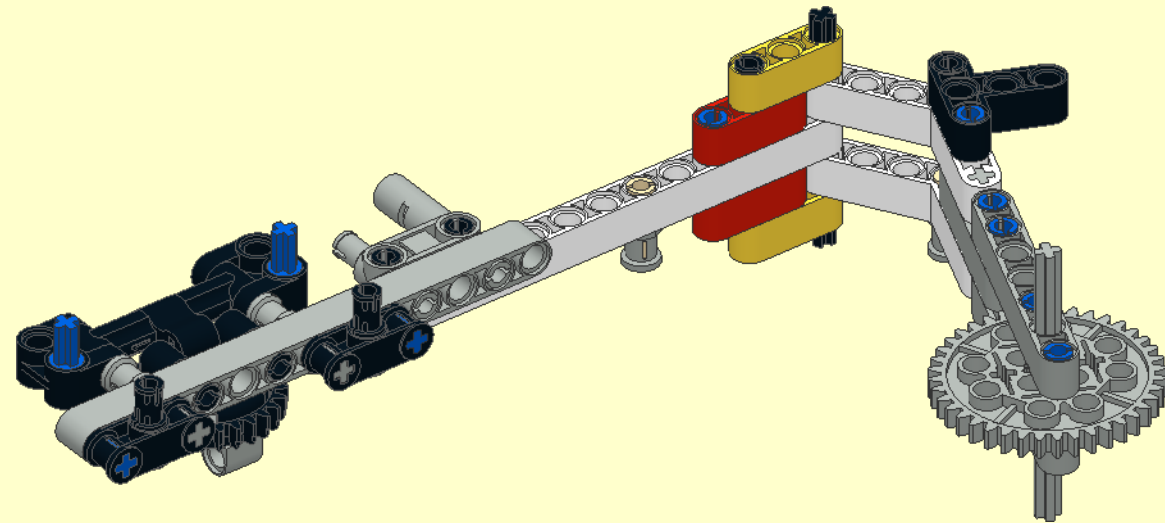




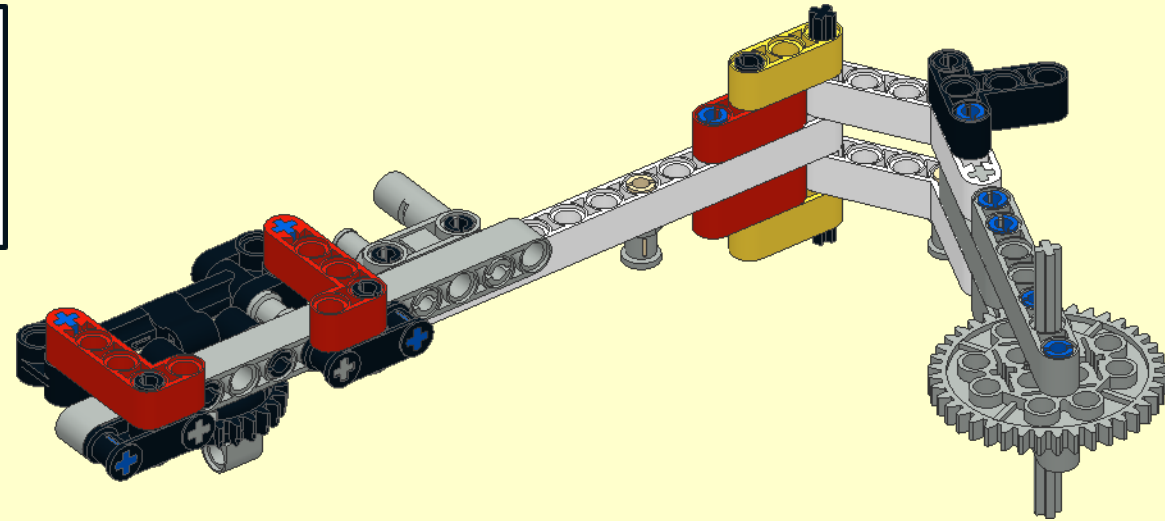
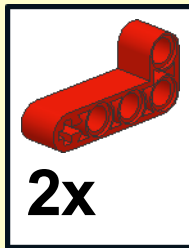


<p>1</p> <p>1x 5 1x 1x</p>	<p>2</p> <p>3 1x 1x</p>	<p>3</p> <p>1x</p>	<p>4</p> <p>5 1x 1x</p>	<p>5</p> <p>2x</p>

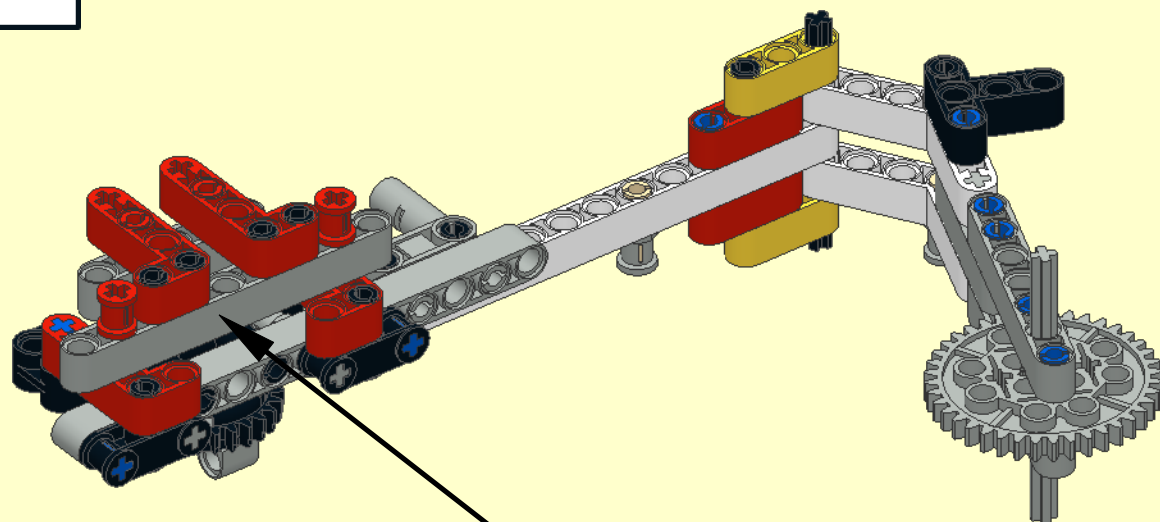
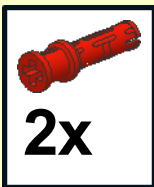
26



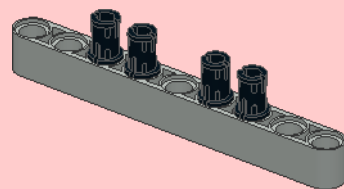
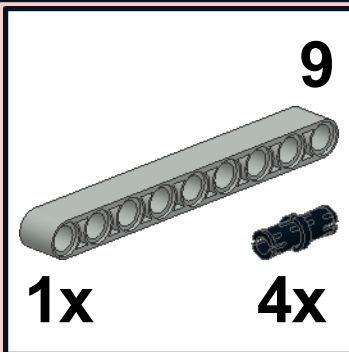
27



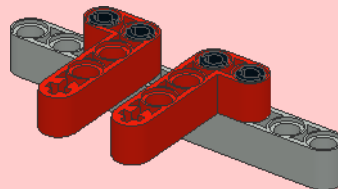
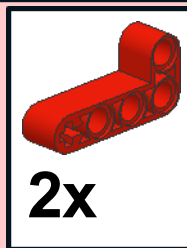
28



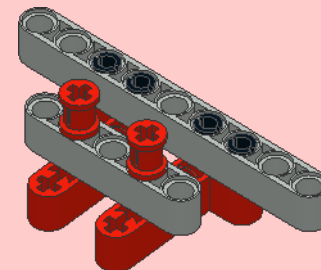
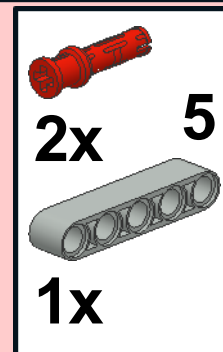
1

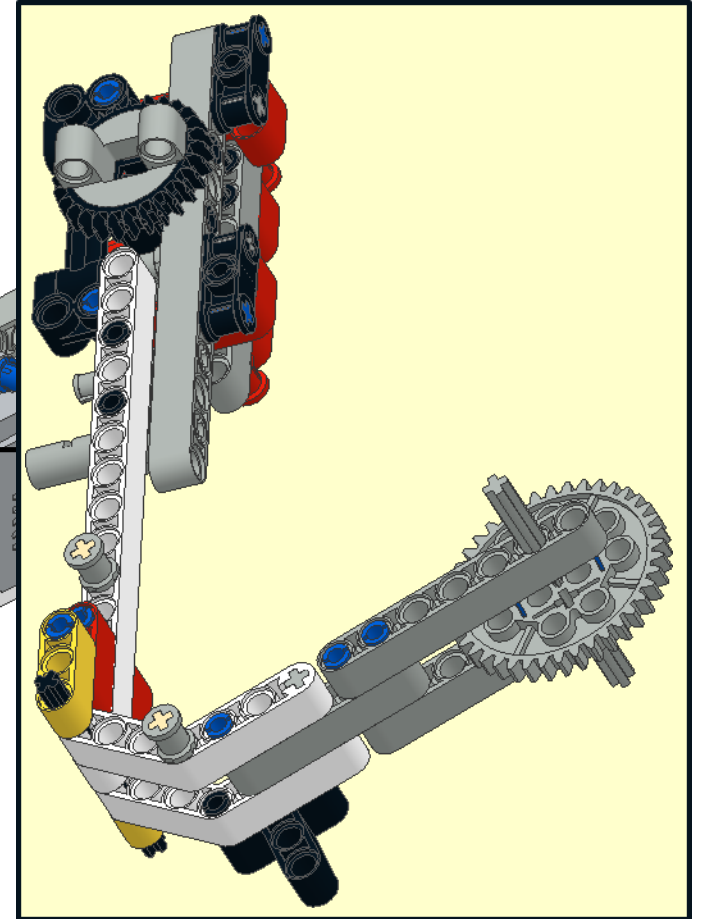
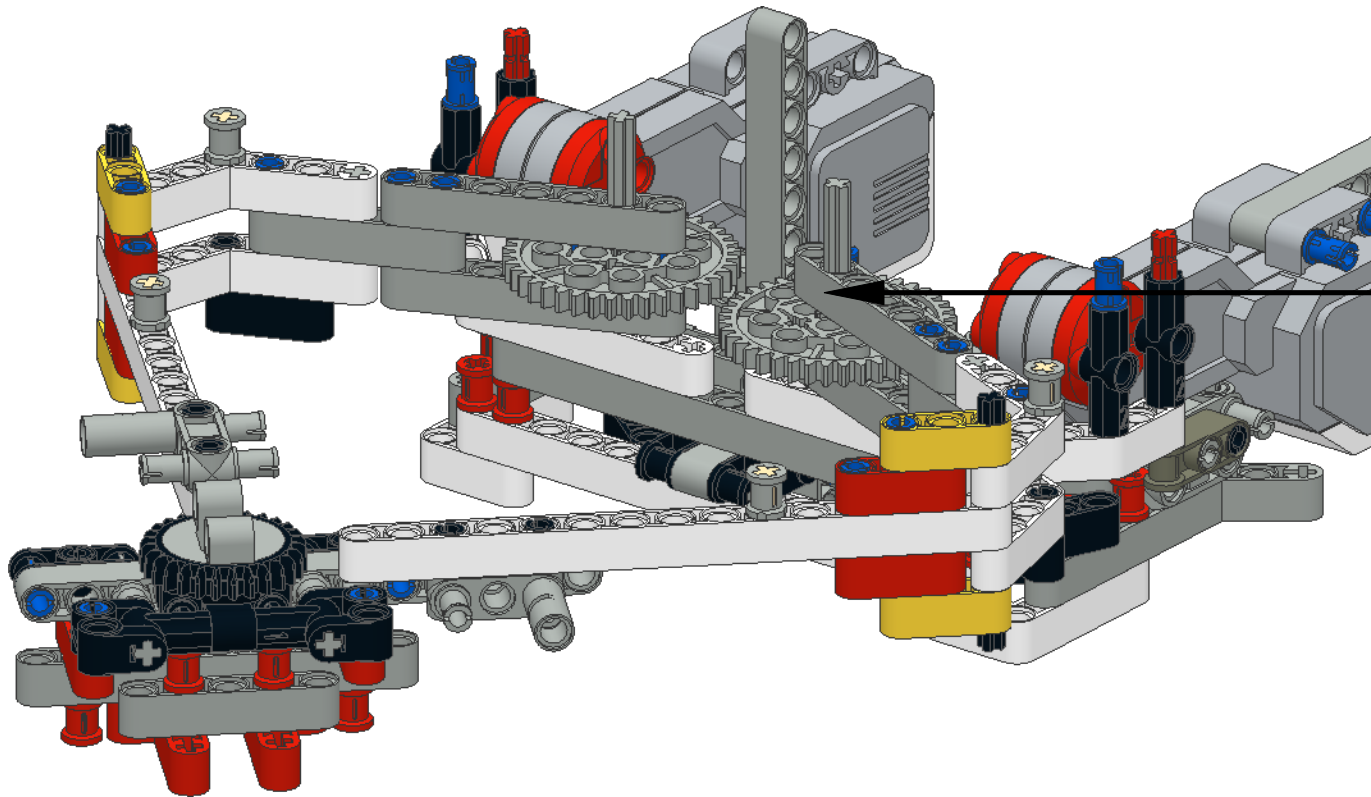


2

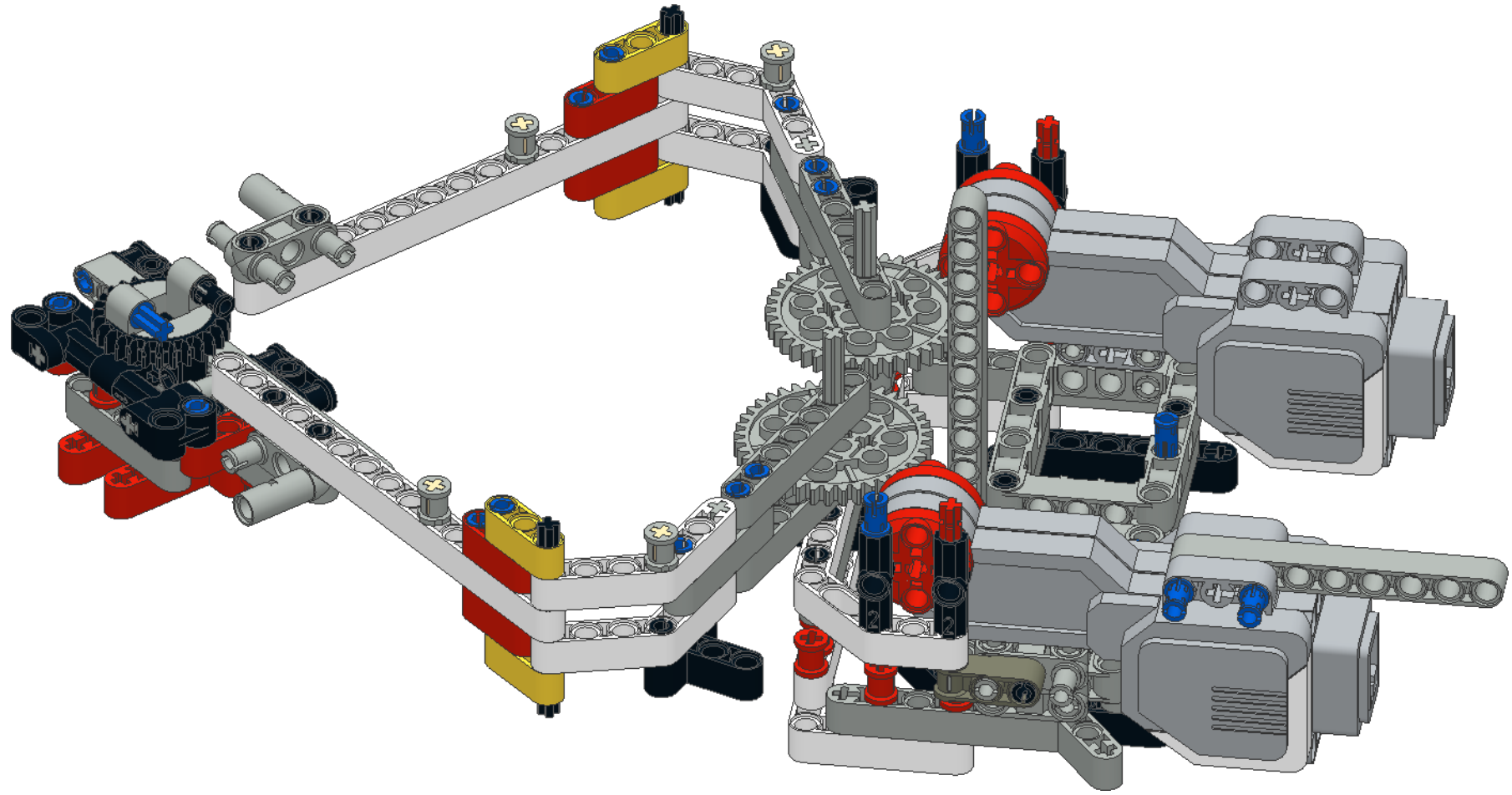
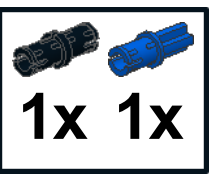


3

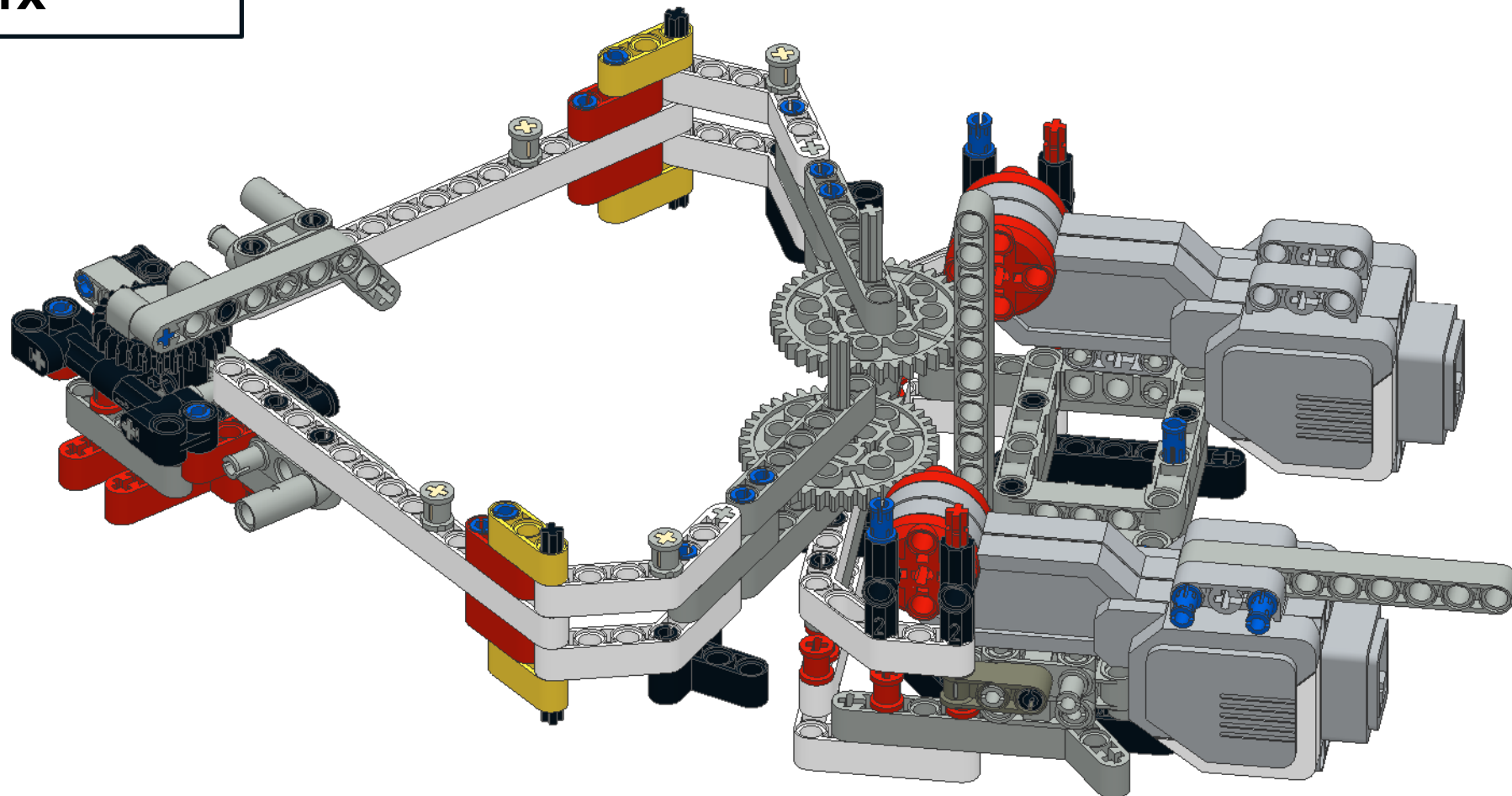
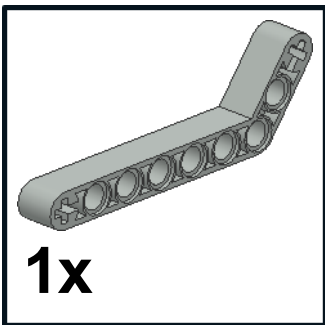




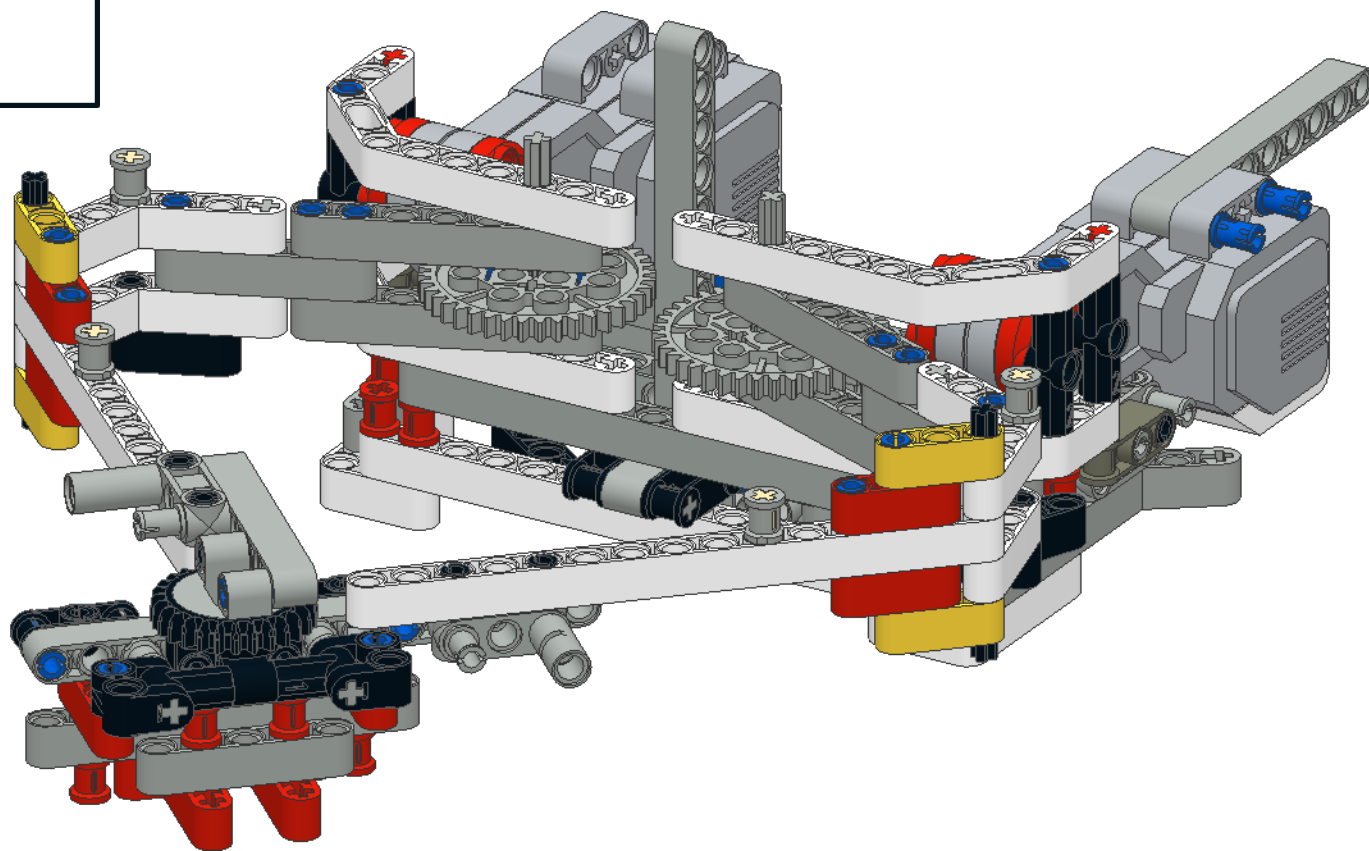
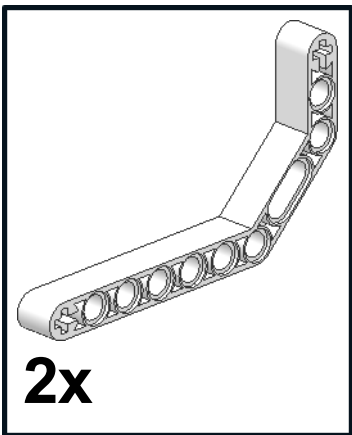
27



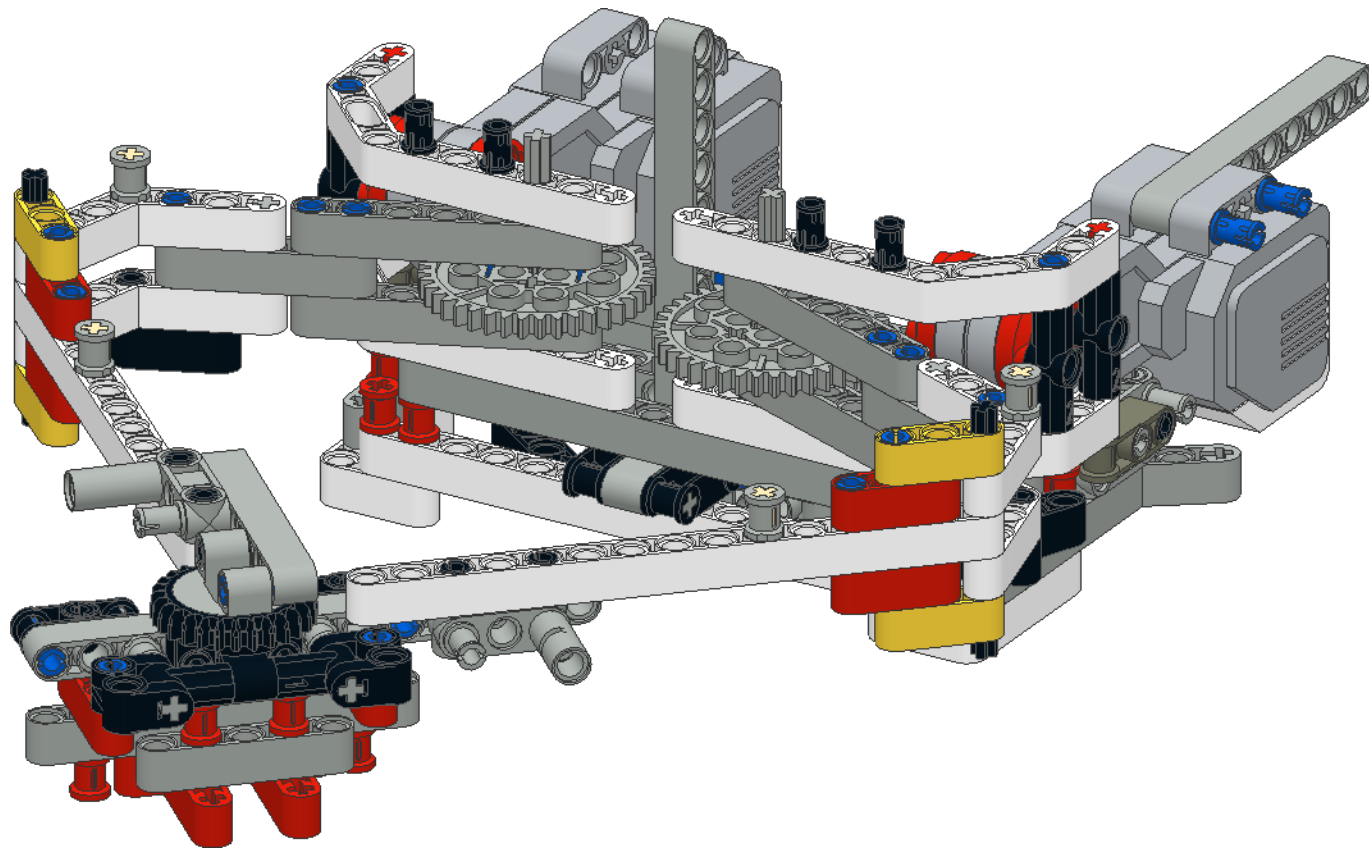
28



29

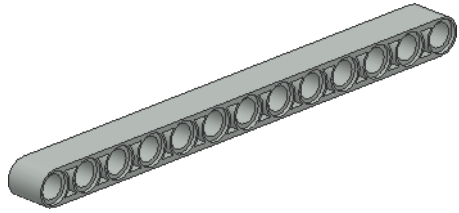


30

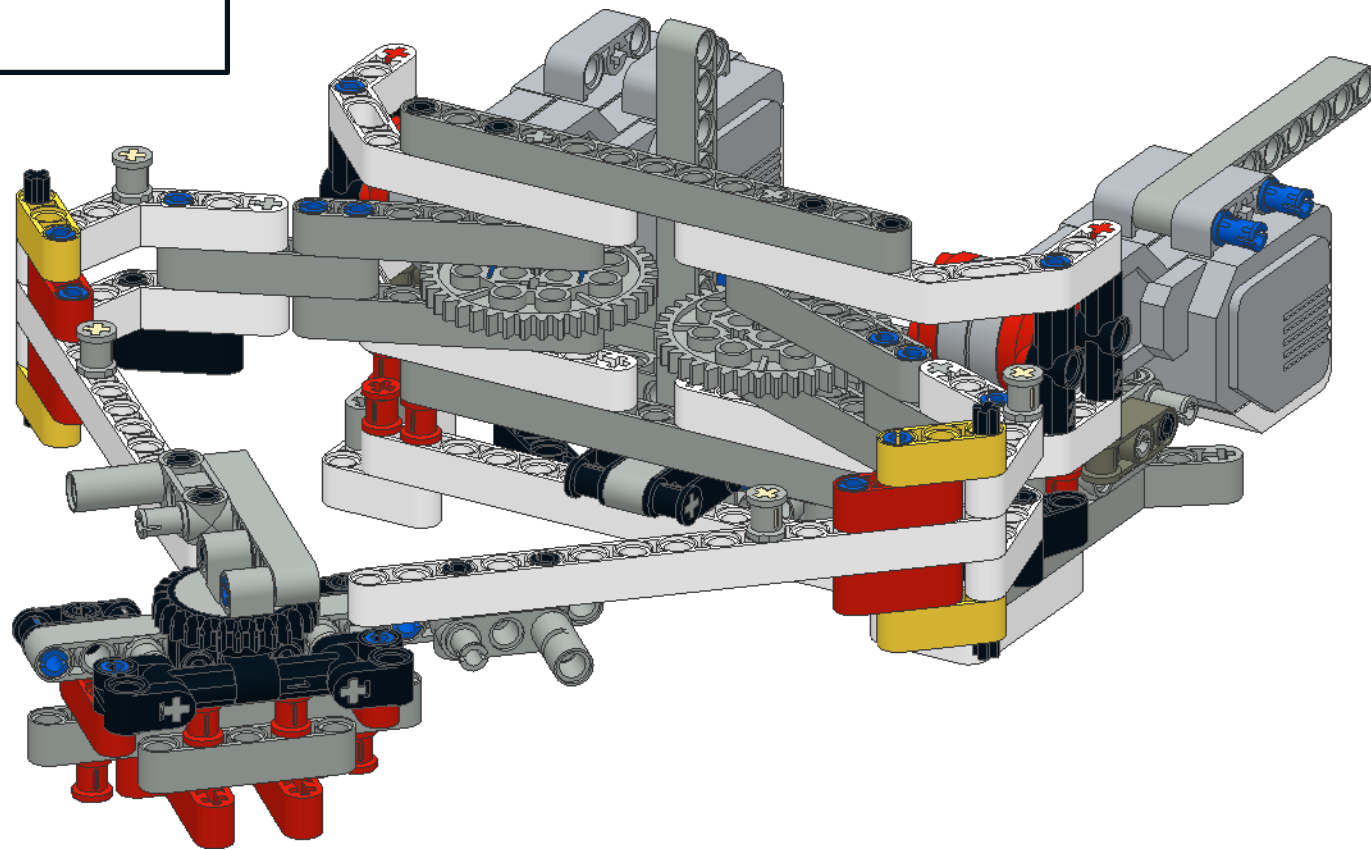


31

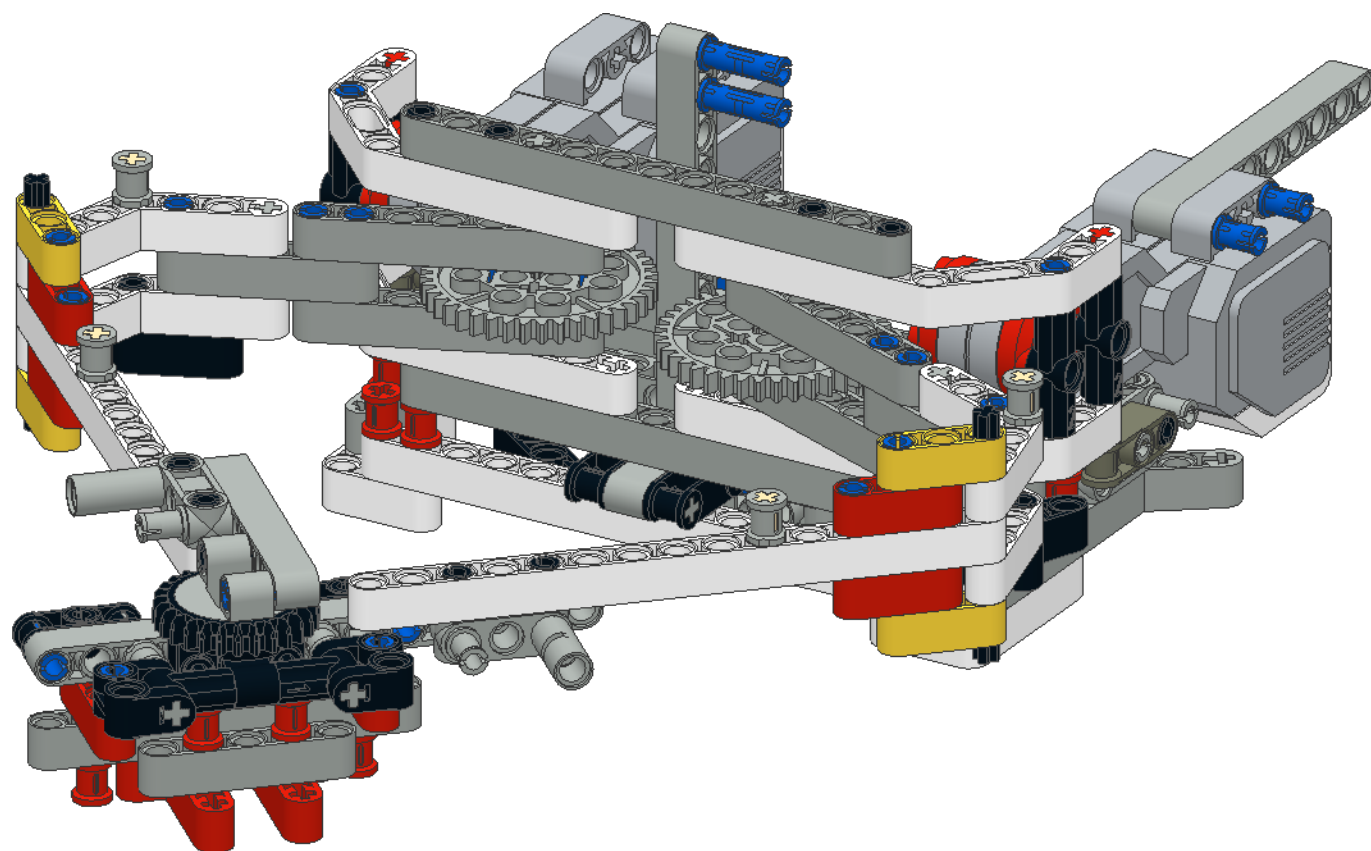
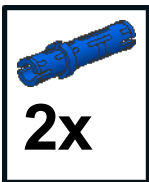
13



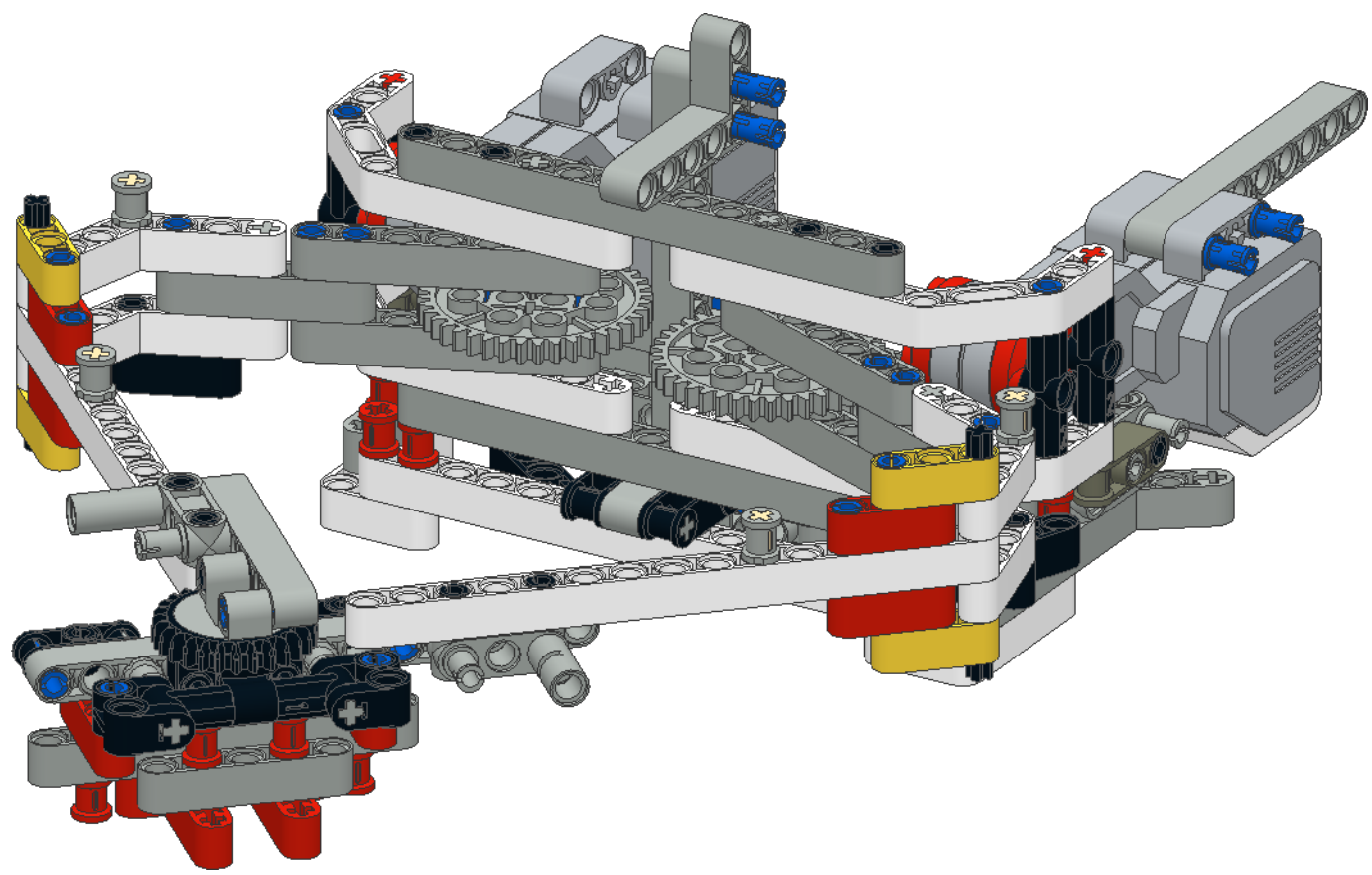
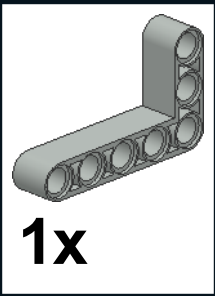
1x



32

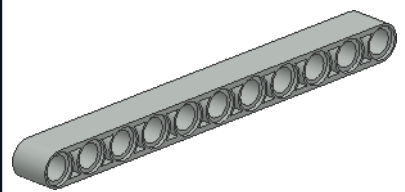


33

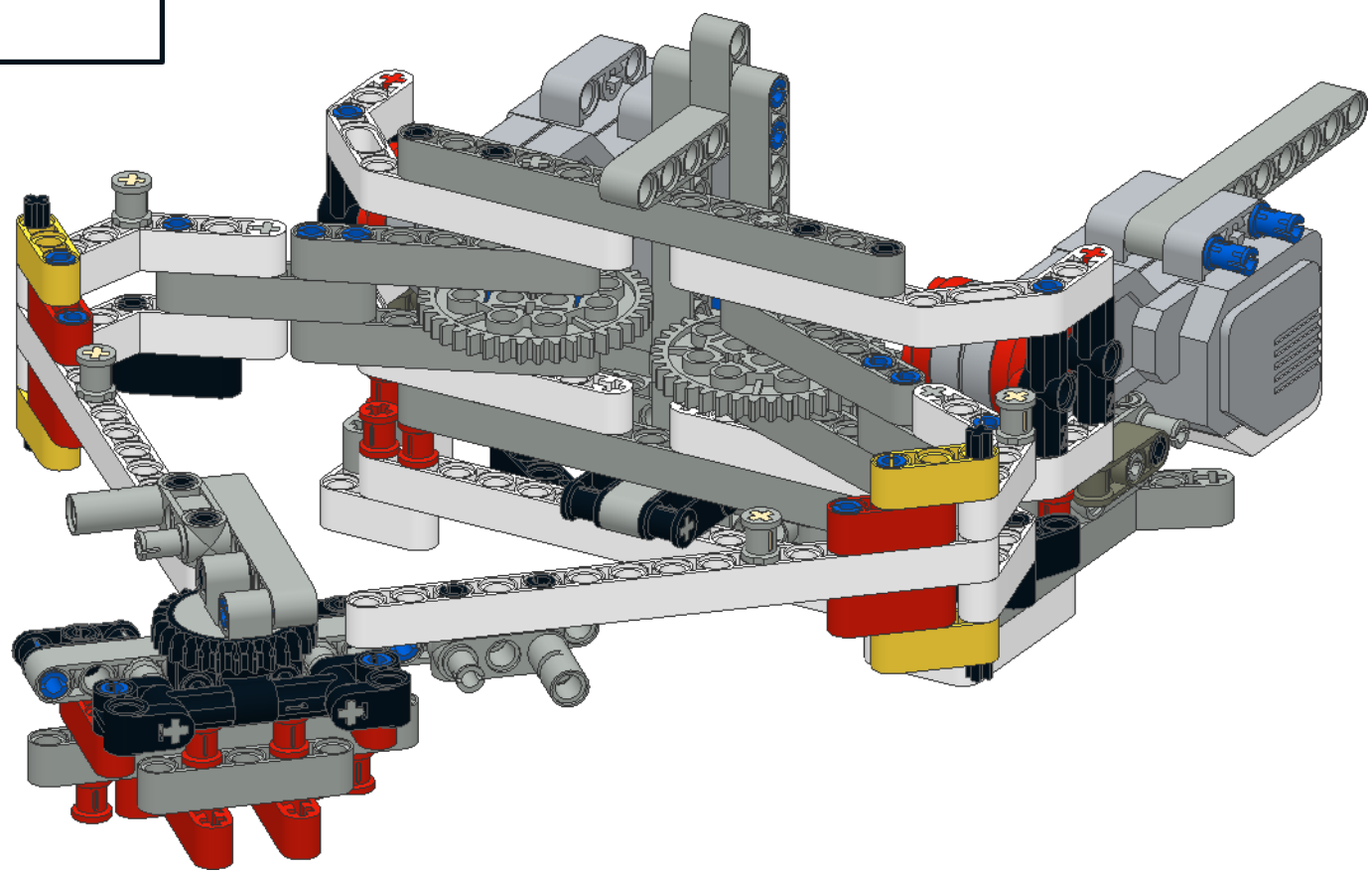


34


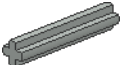
11

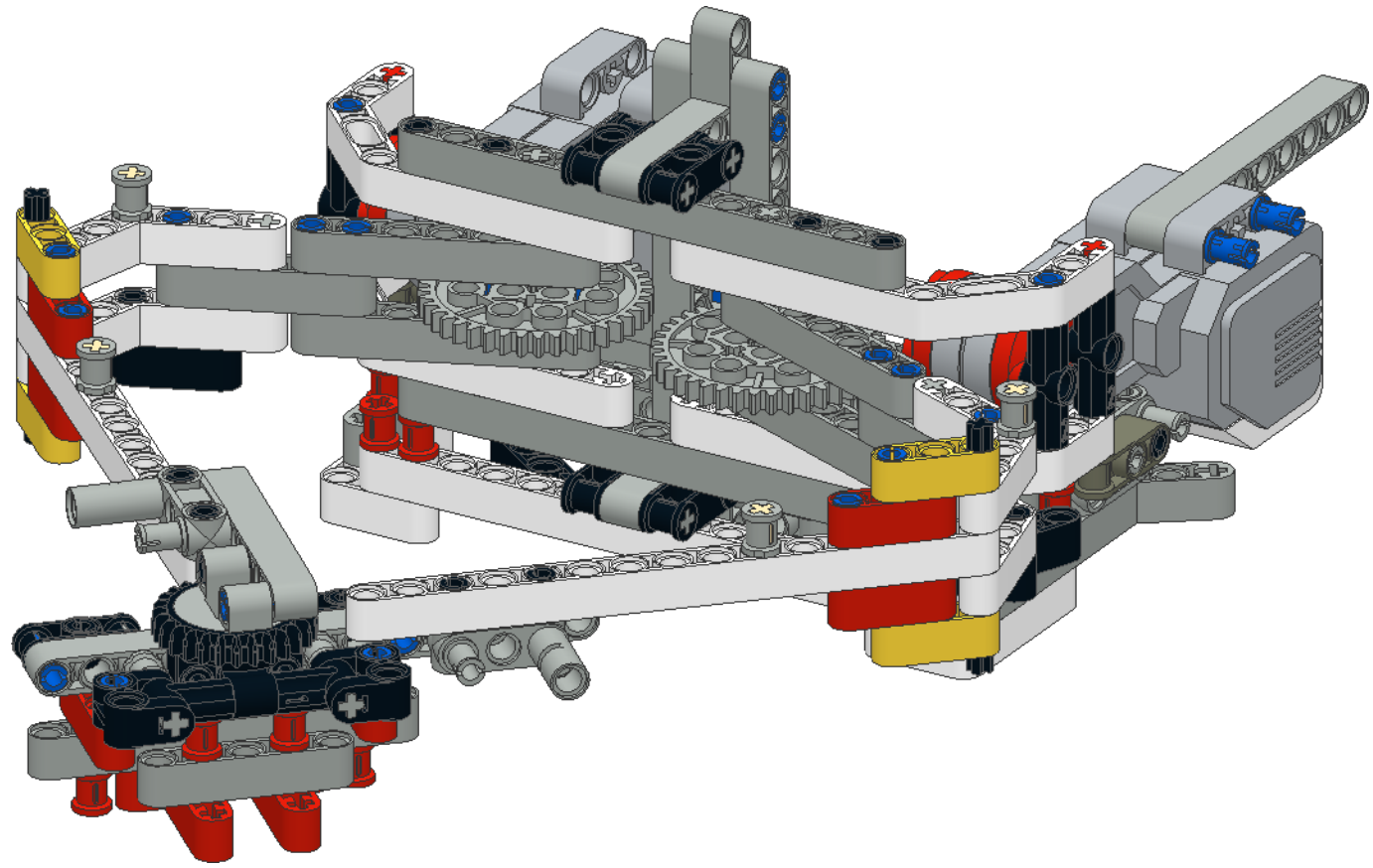


1x

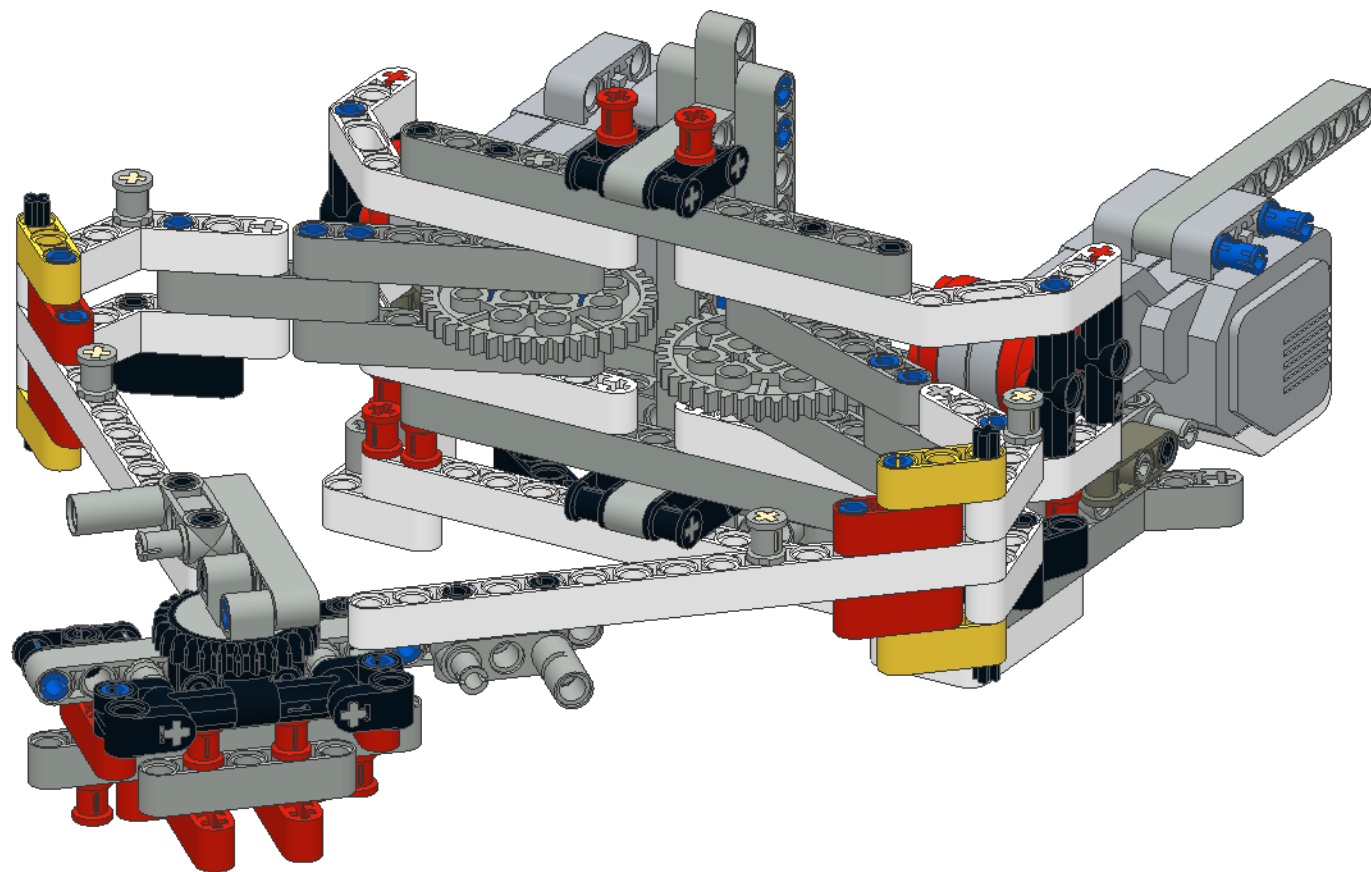
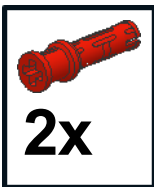


35

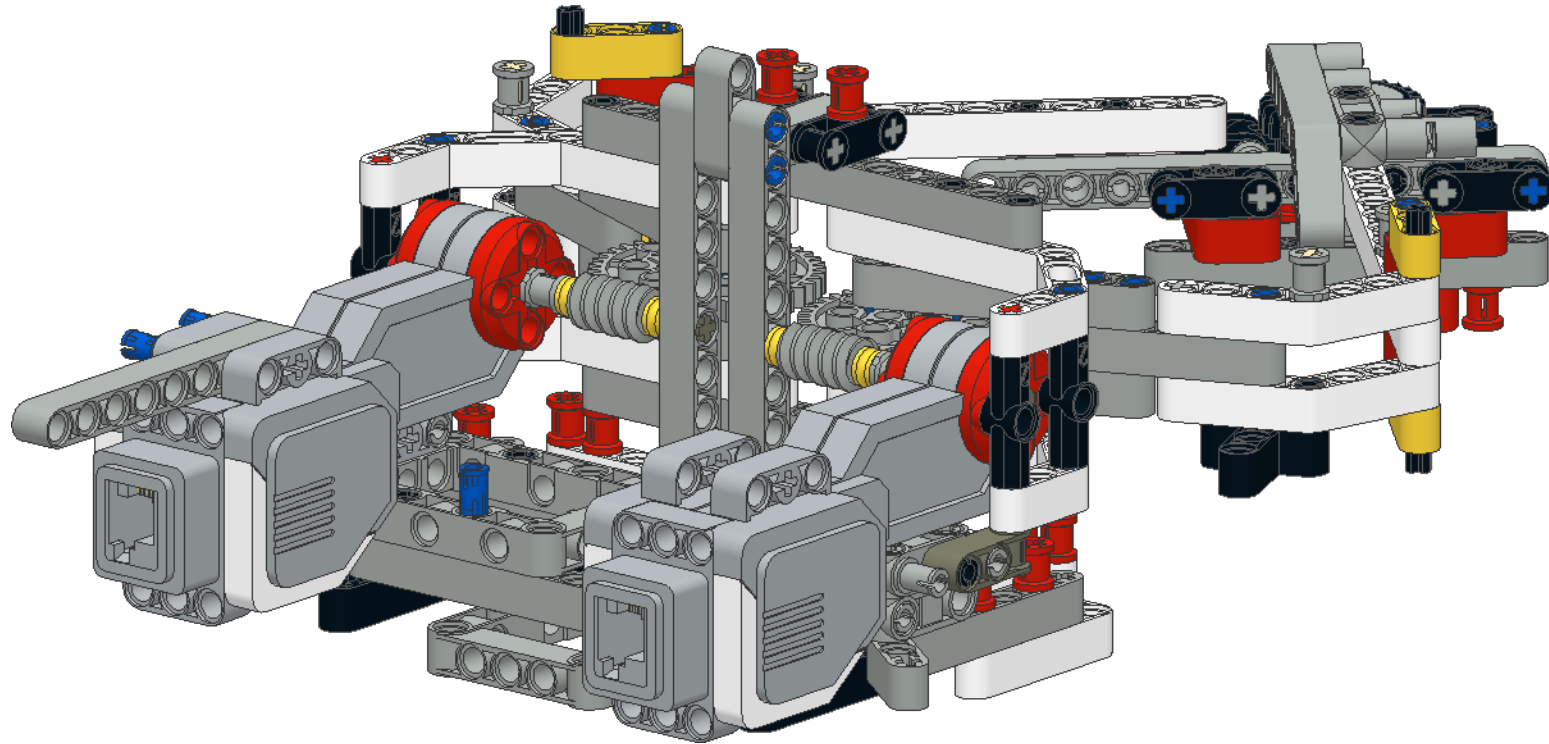
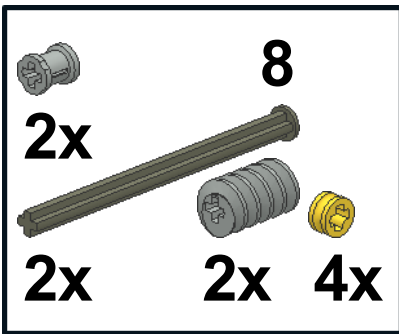
		3
2x	2x	



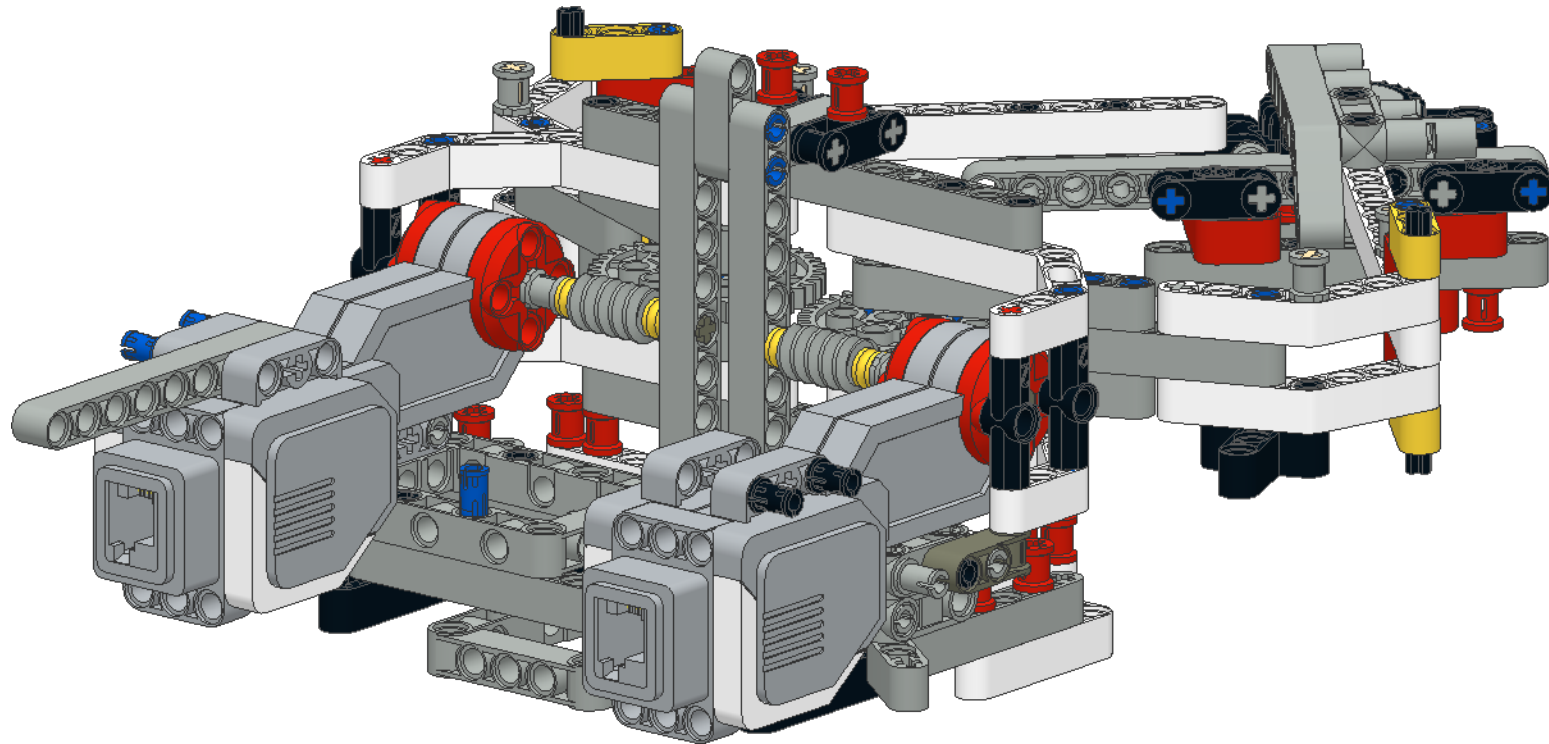
36



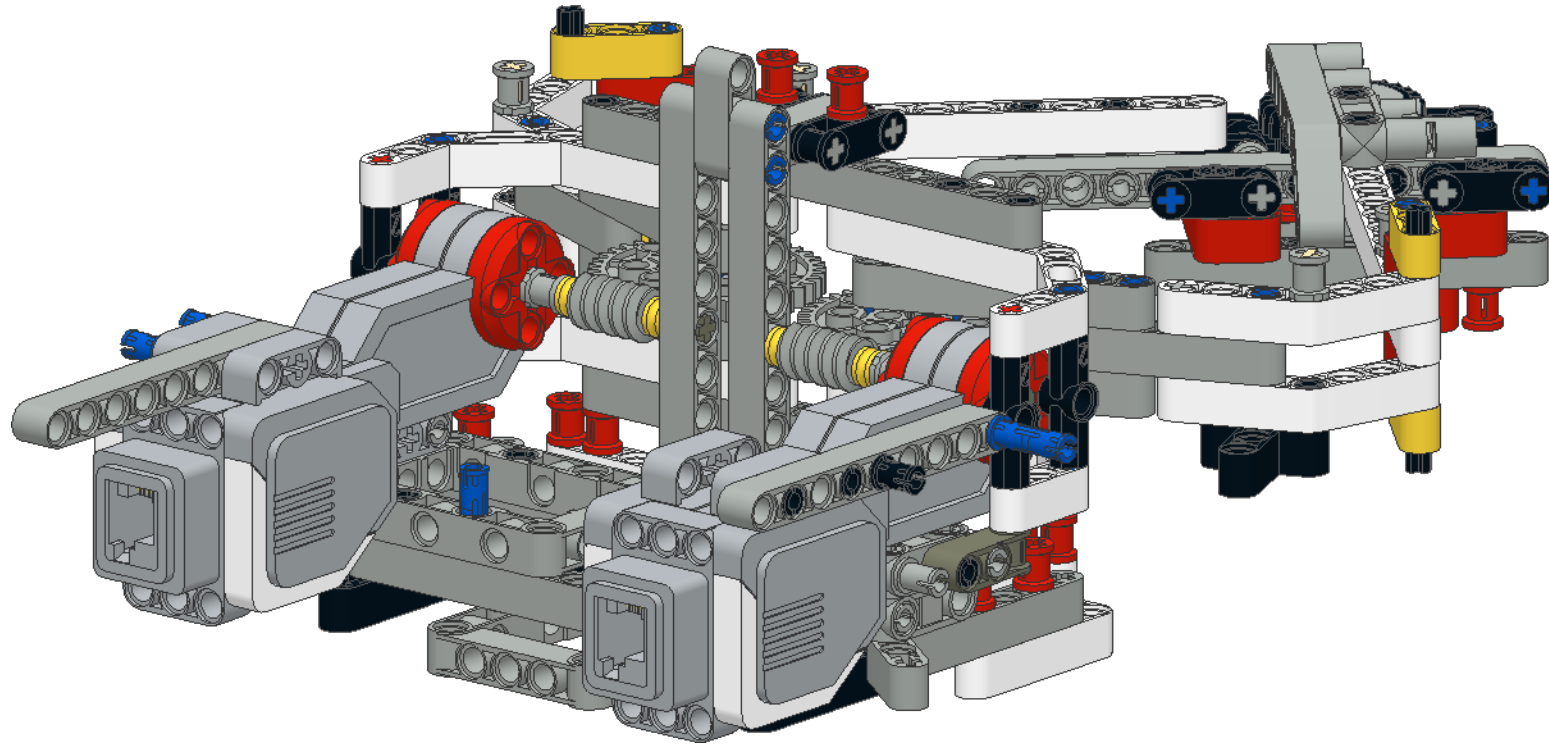
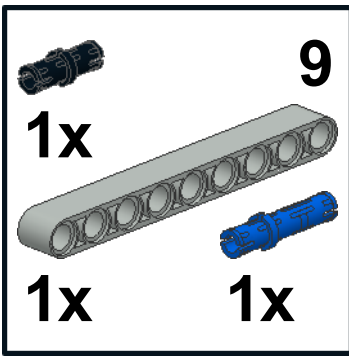
37




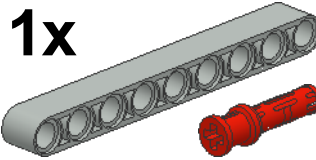

38

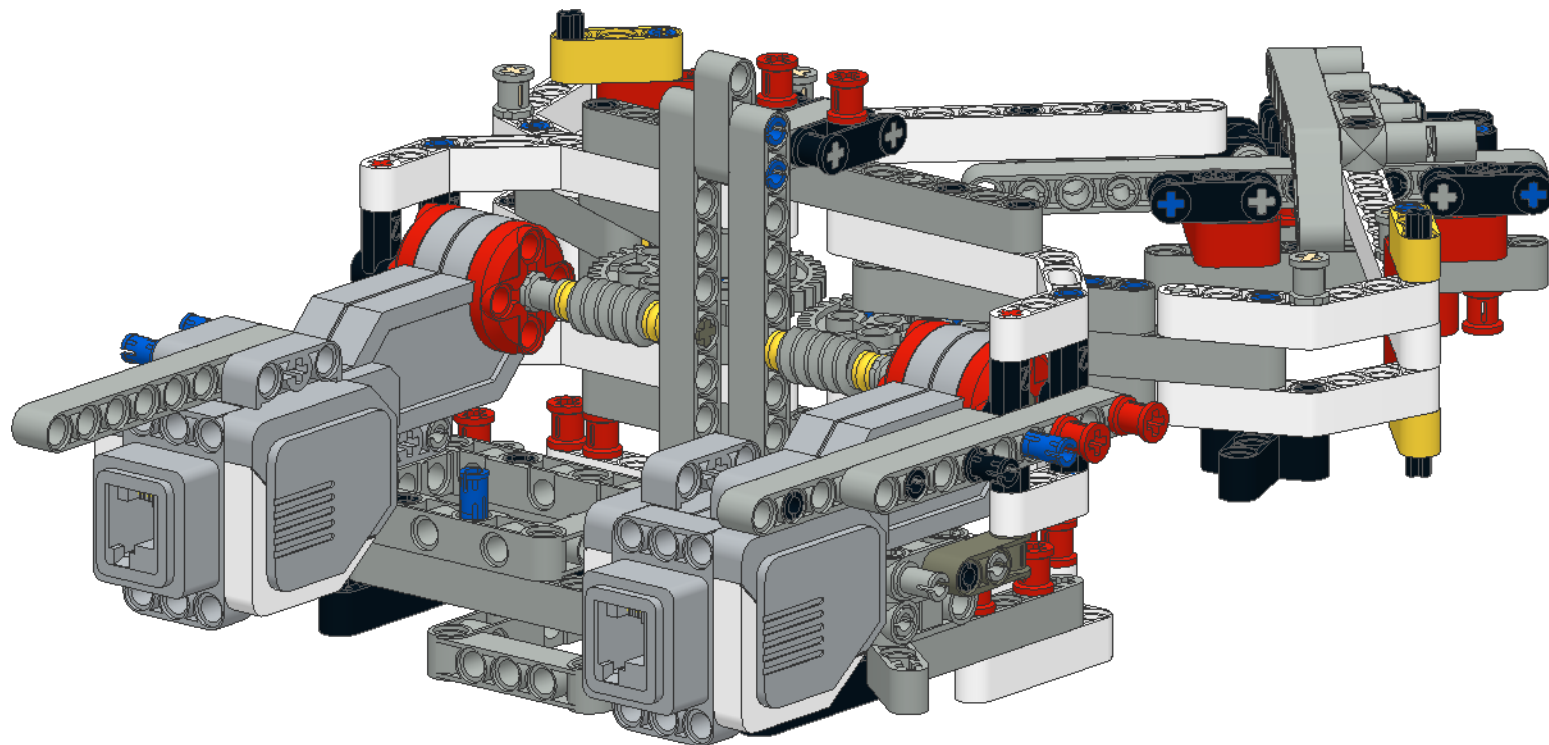


39

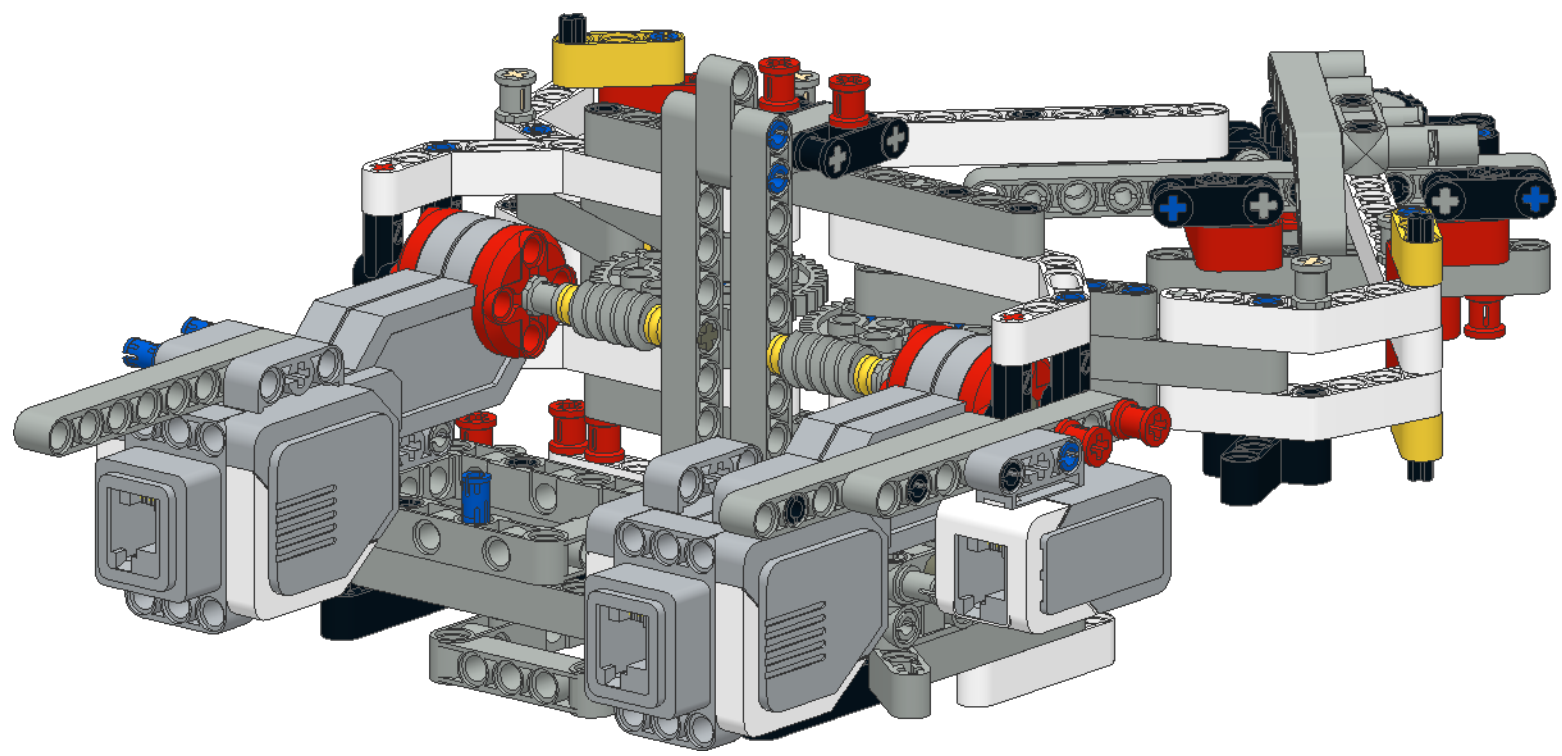
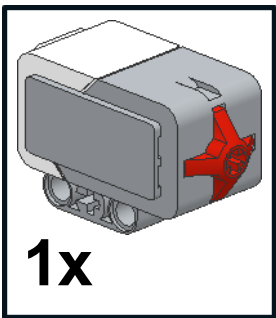


40


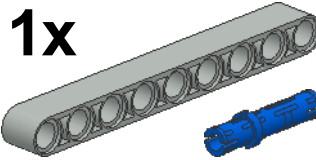

	9
1x	
1x	
	2x

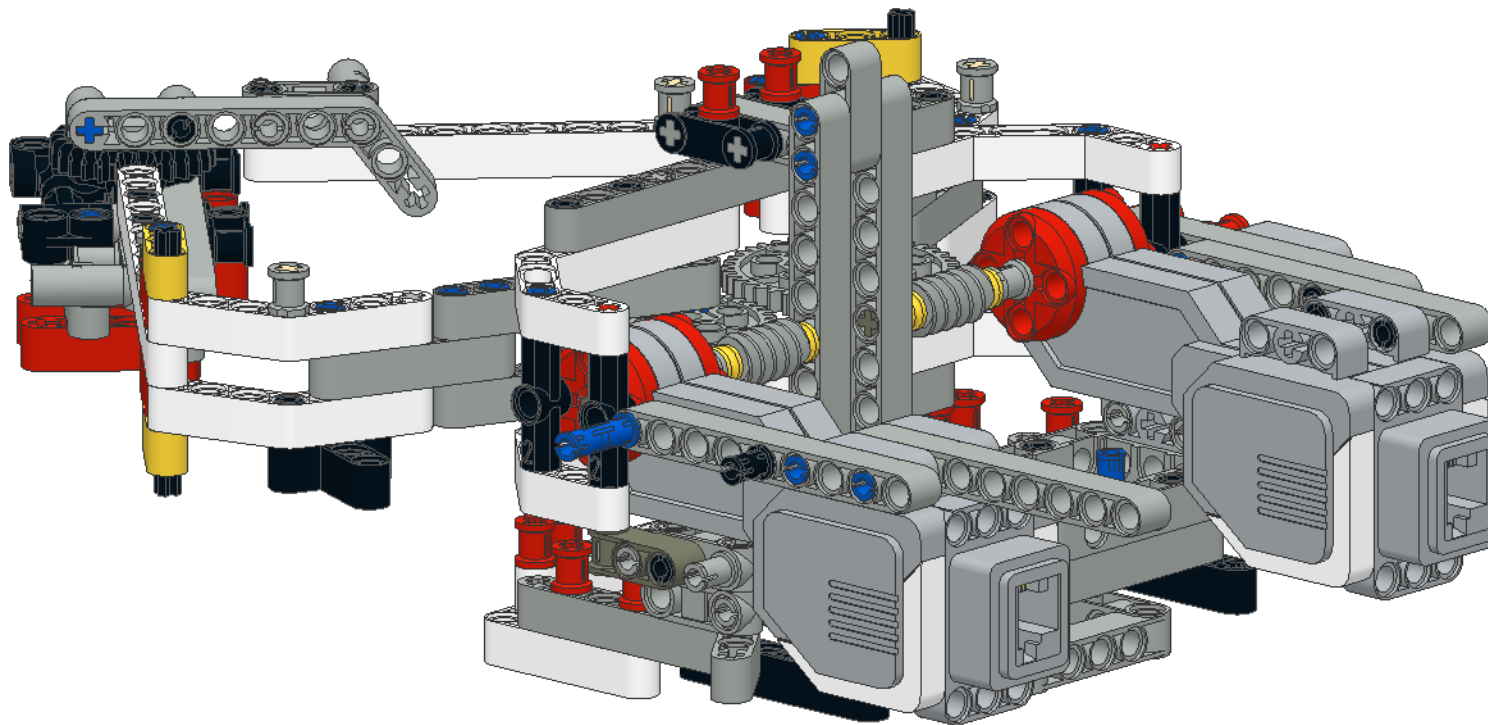


41


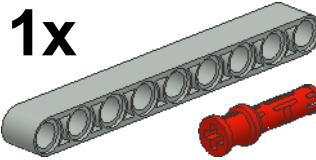



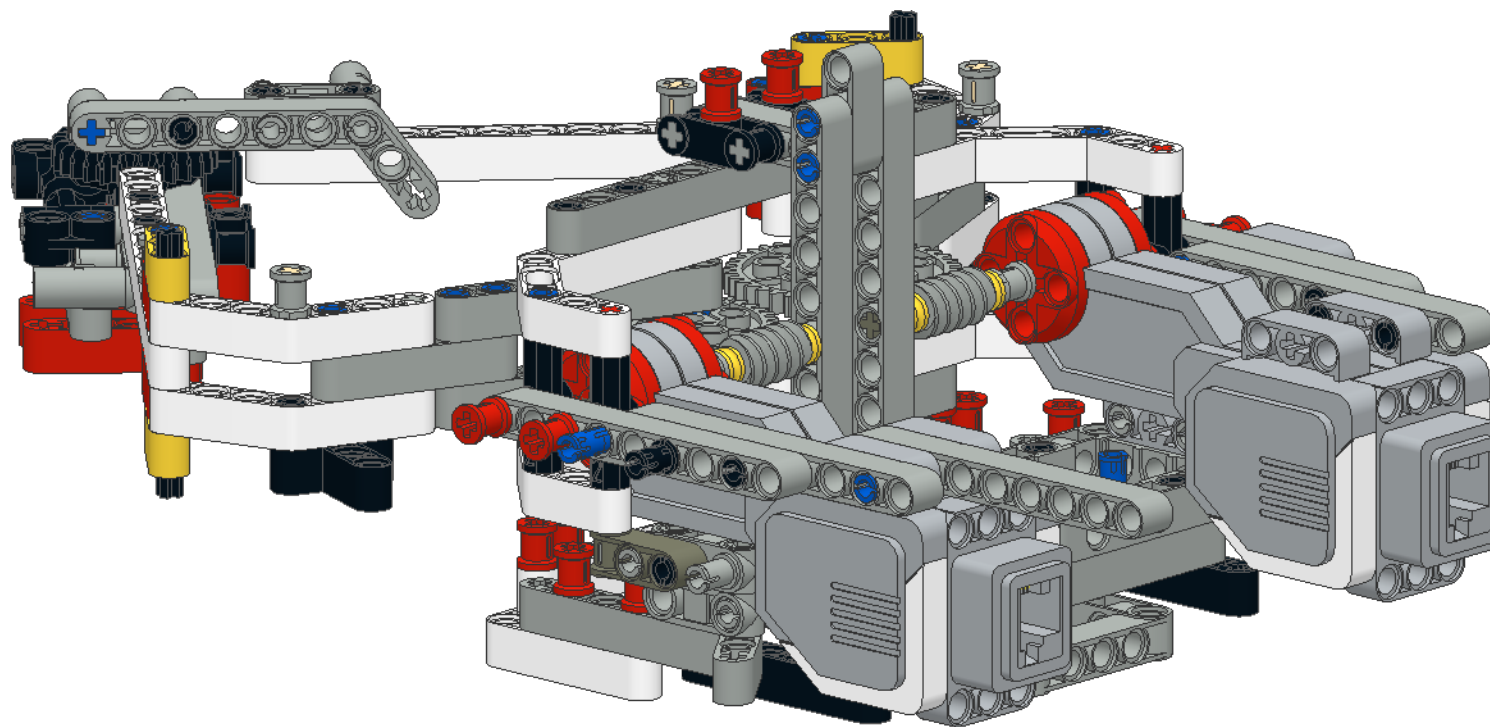
42

	9
1x	
	
1x	
	1x

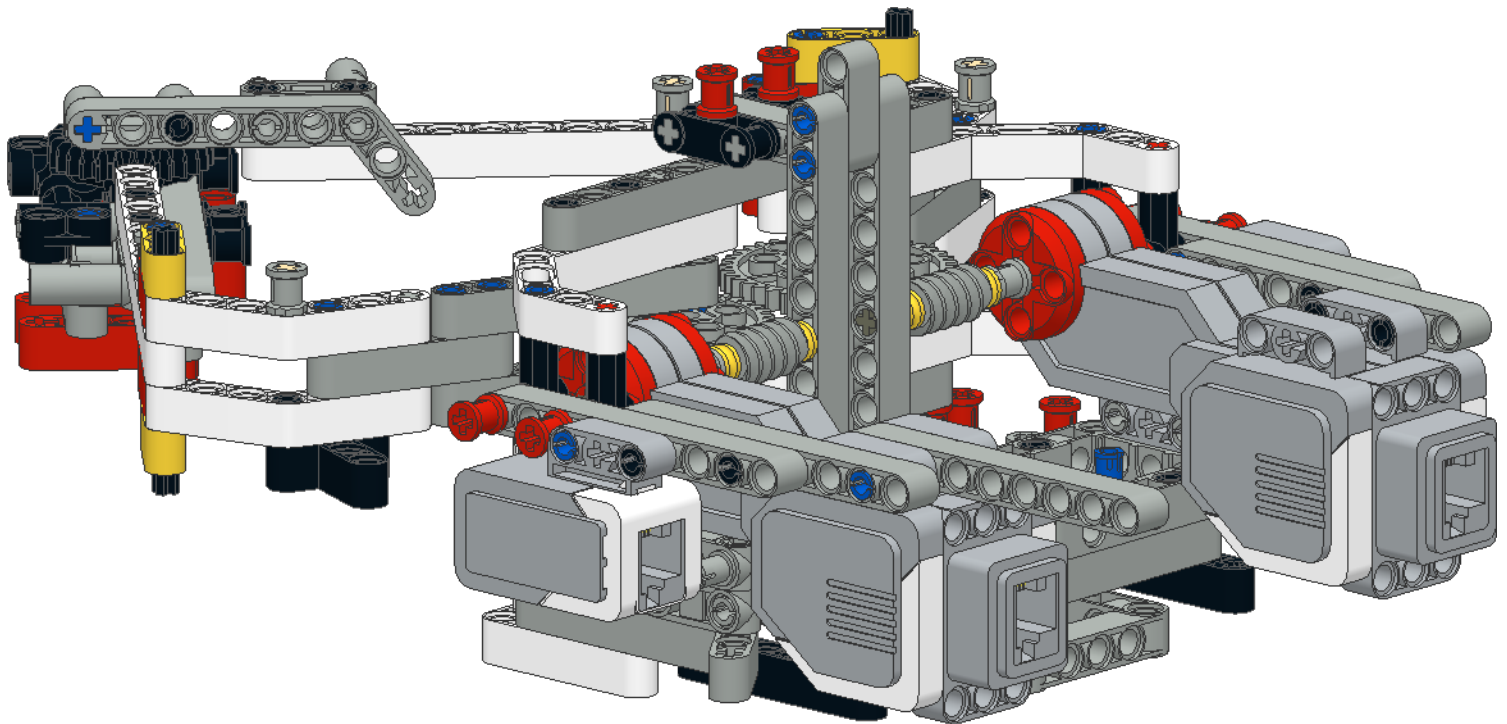
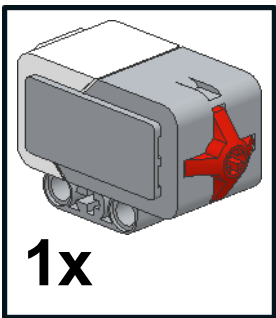


43

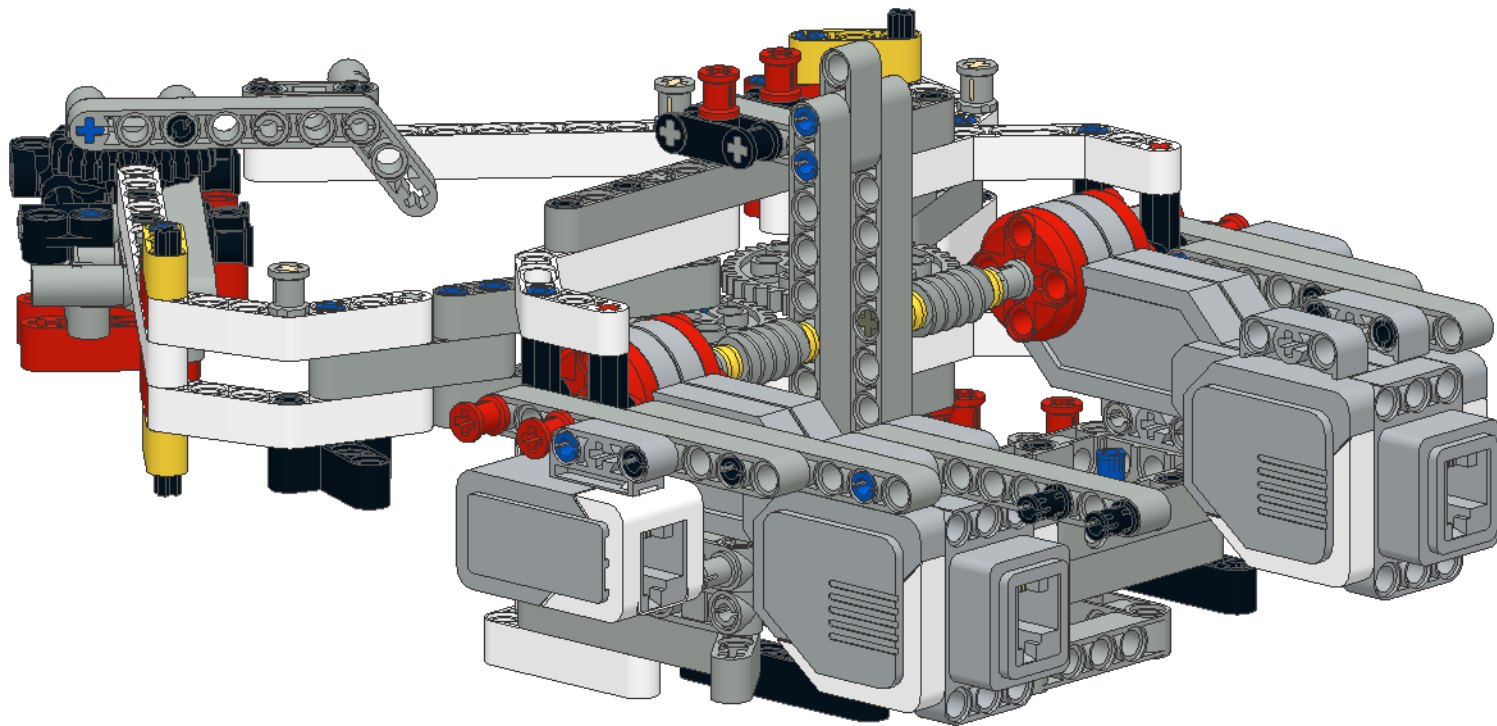
	9
1x	
1x	
	2x



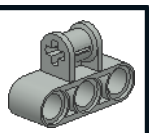
44



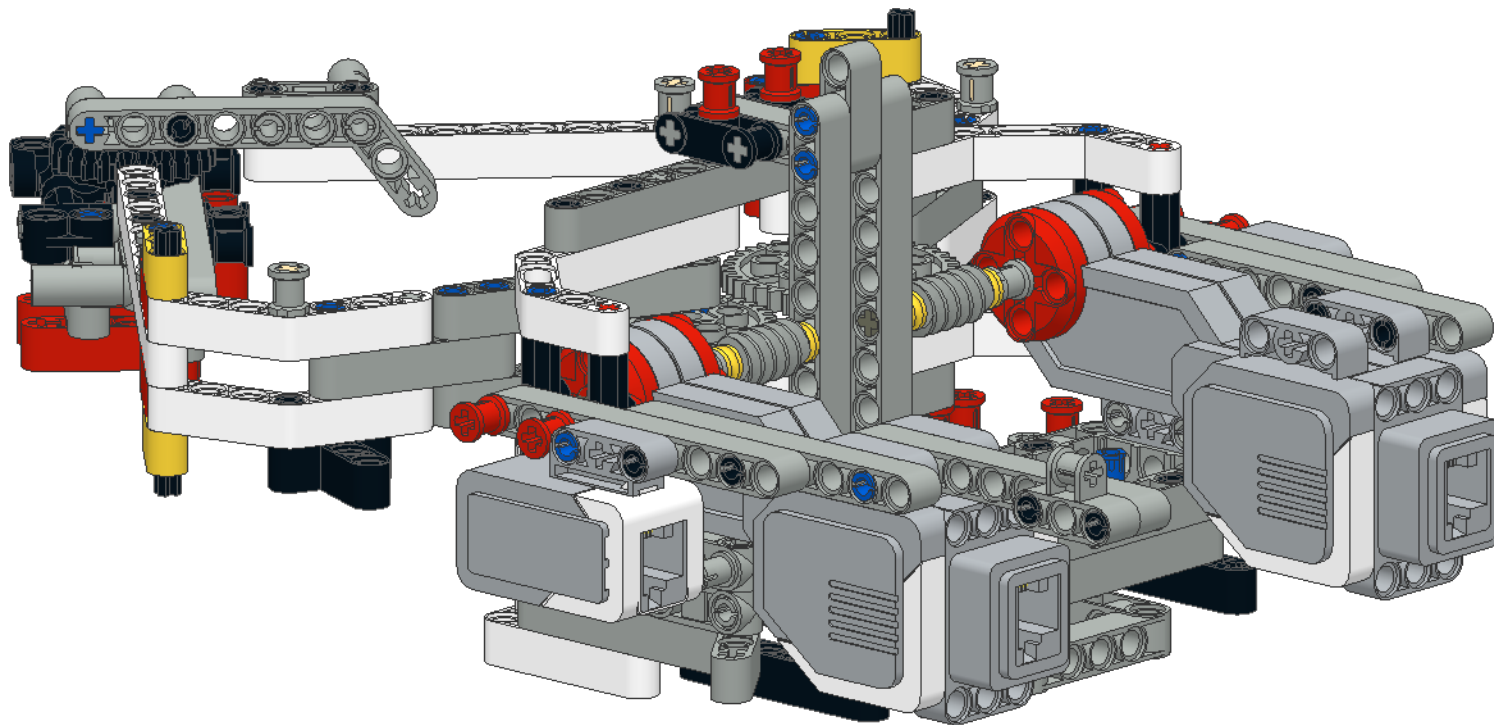
45



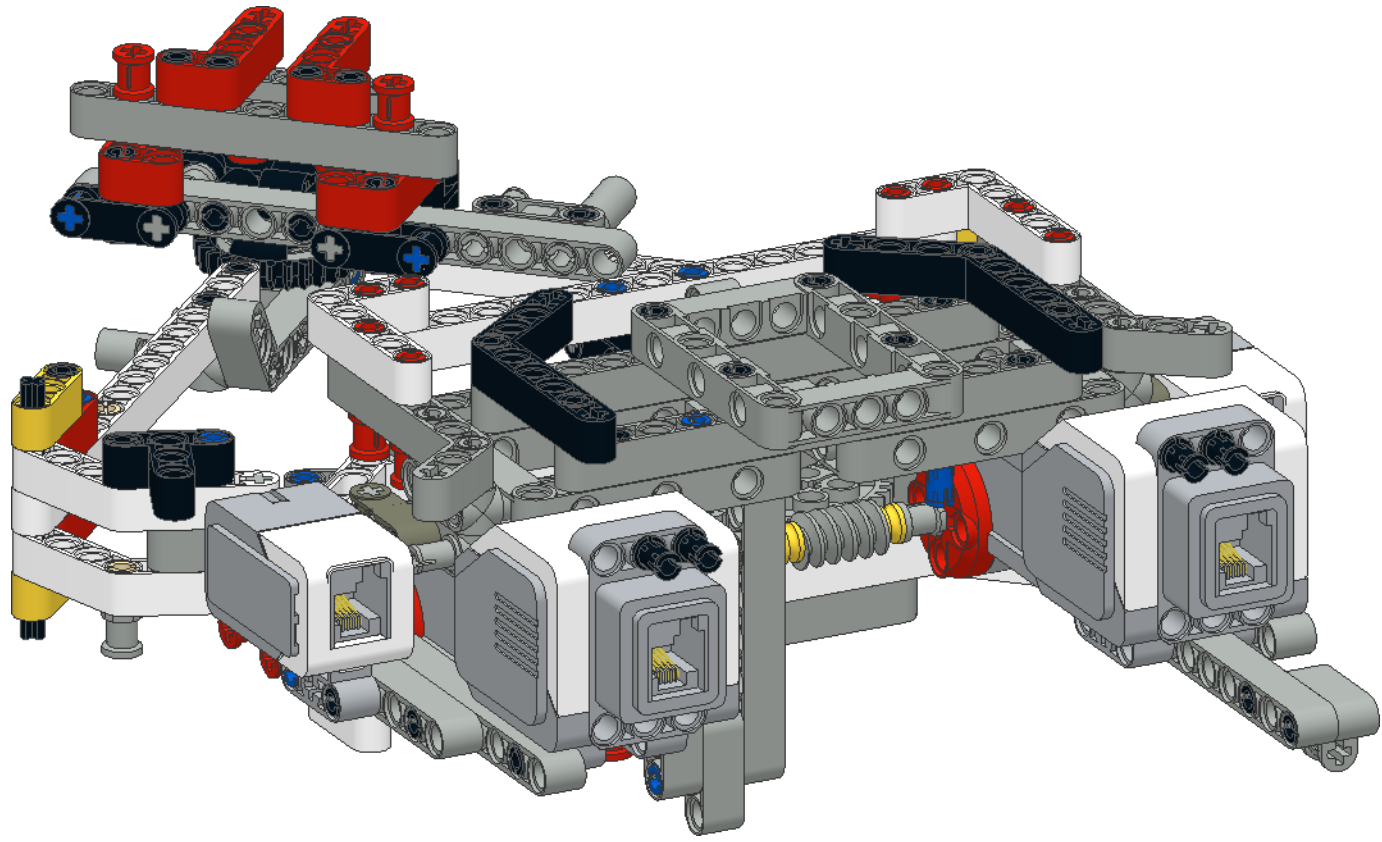
46



1x



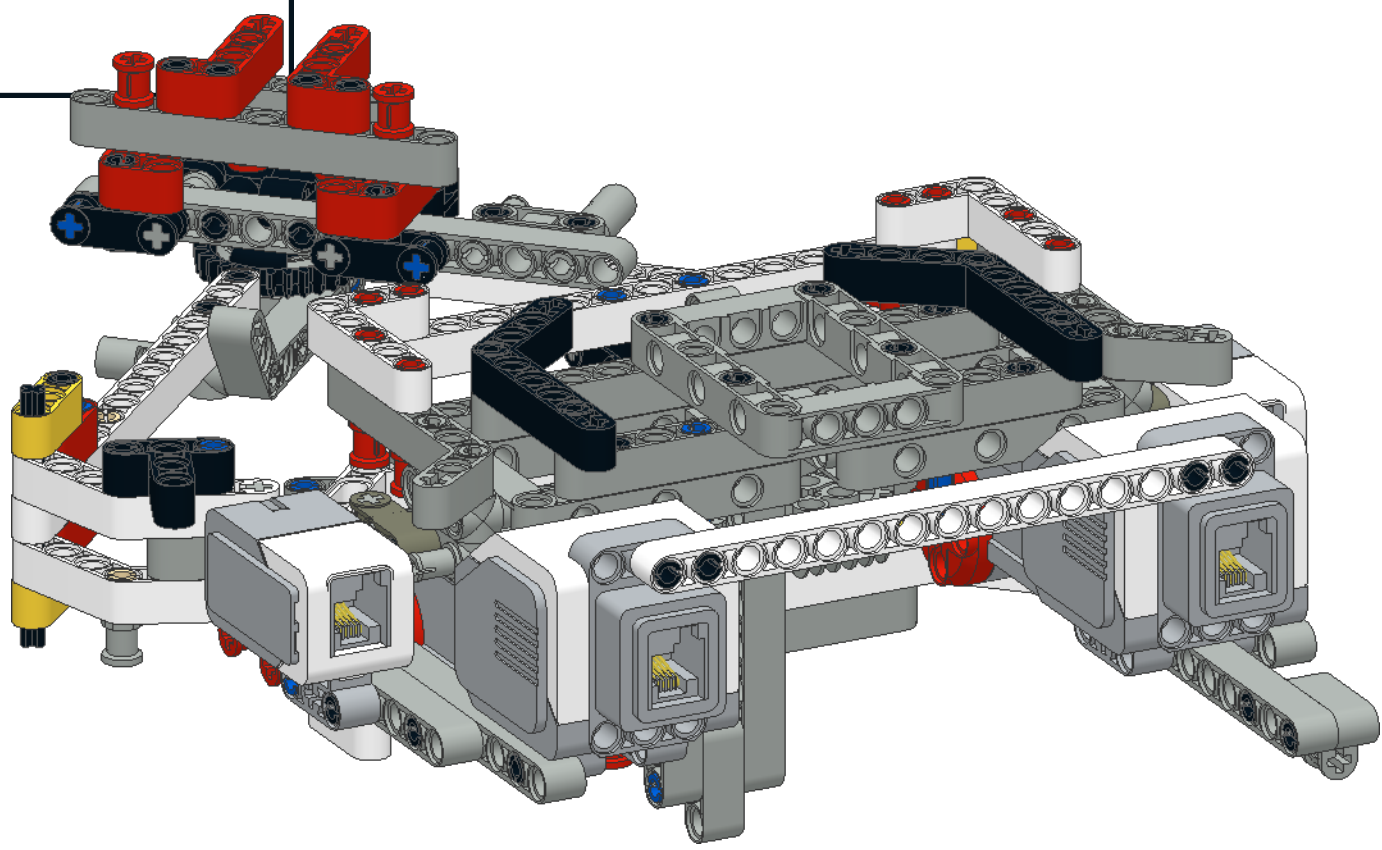
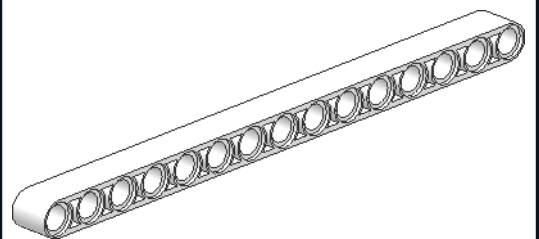
47



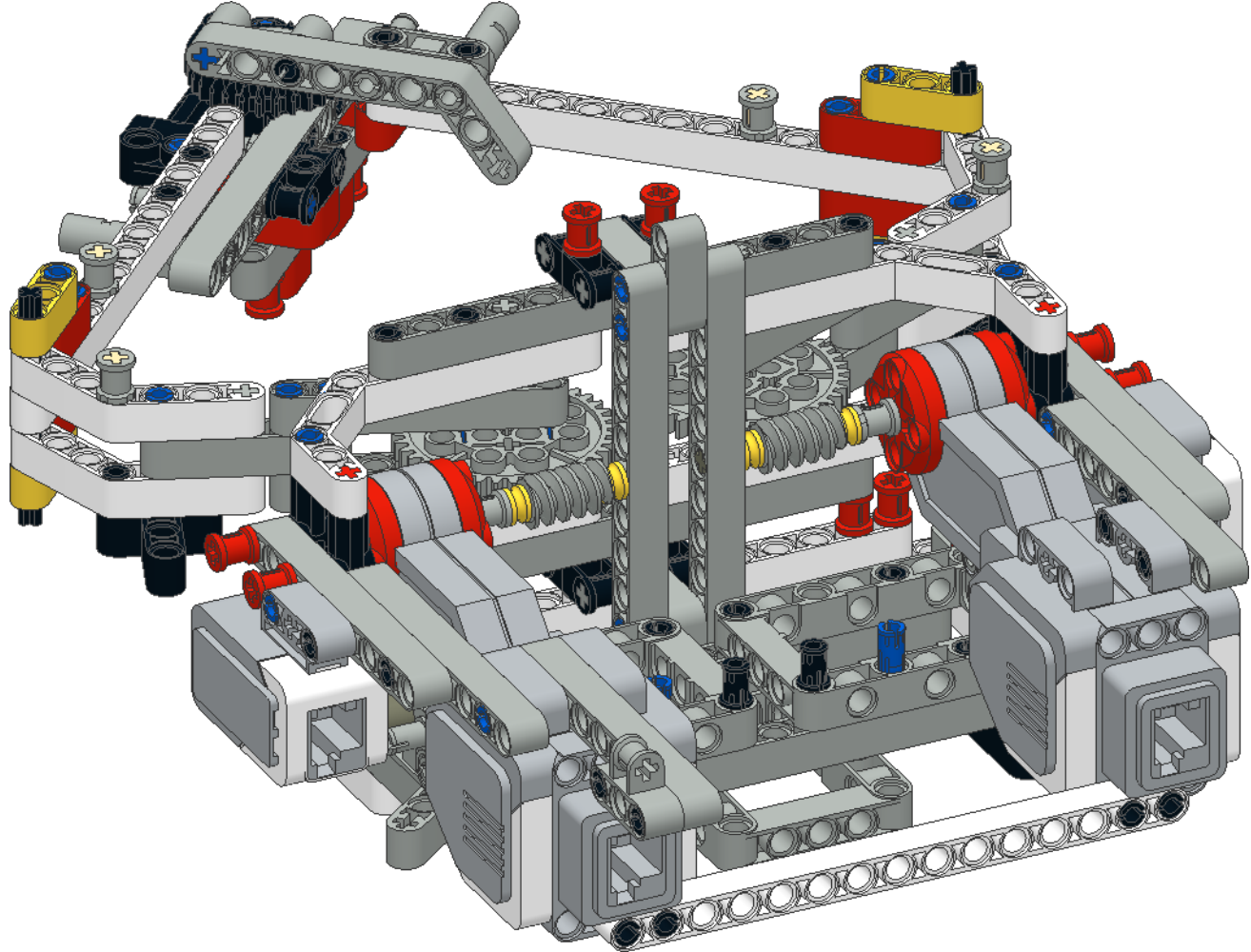
48

15

1x

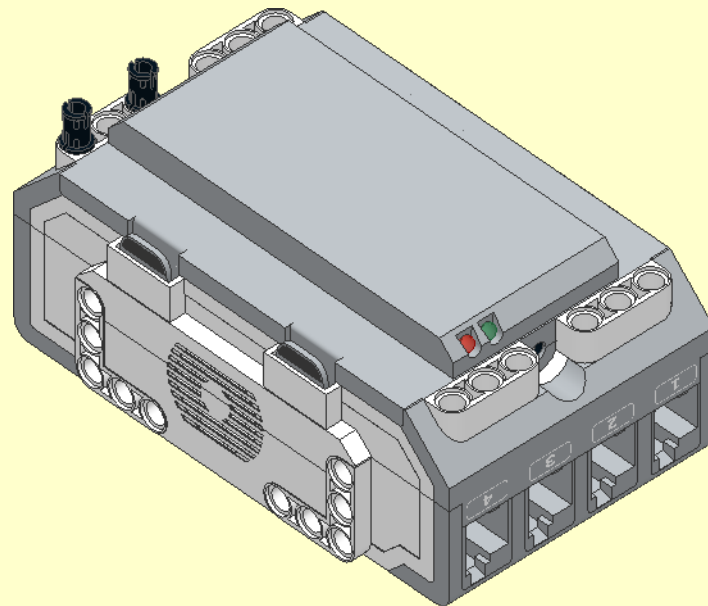
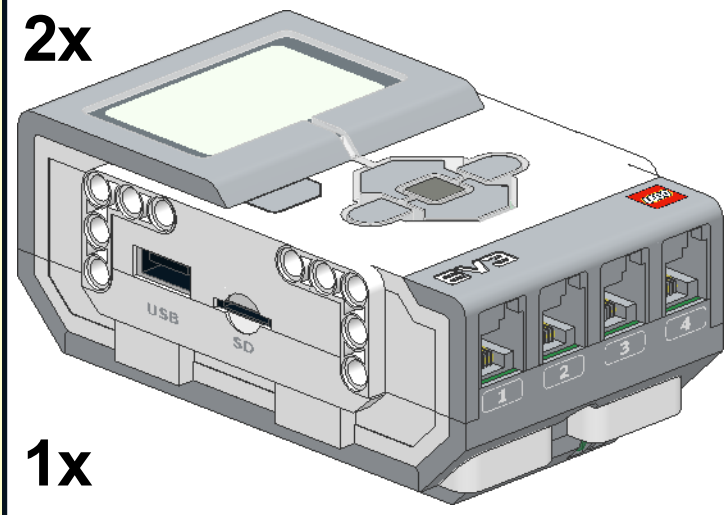


49



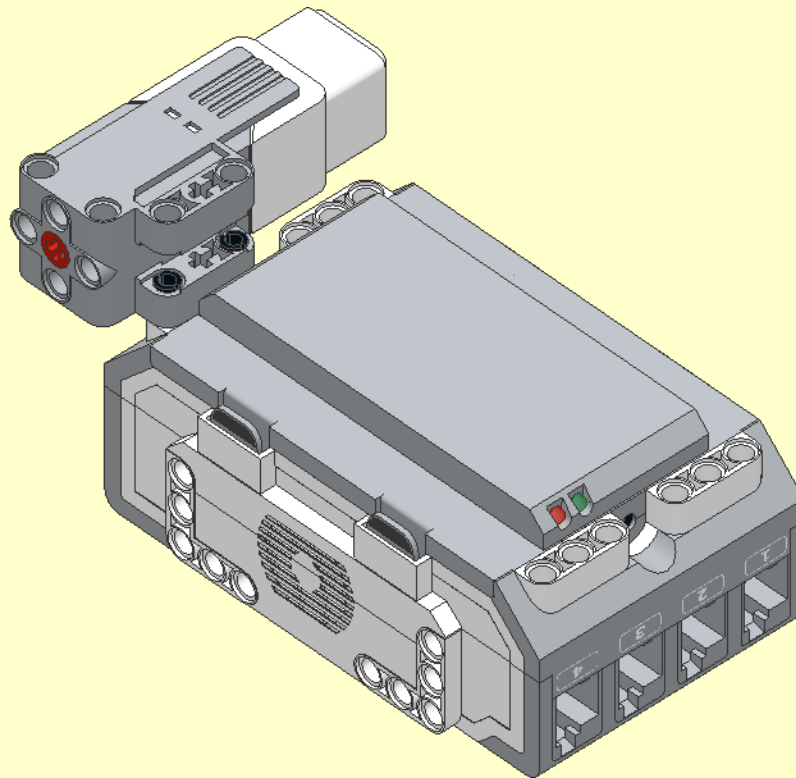
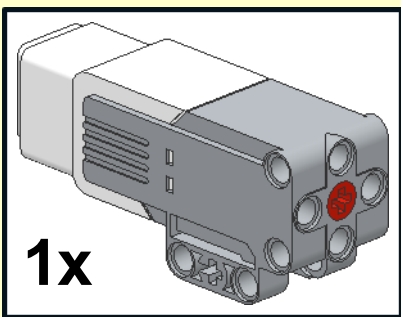
1

2x

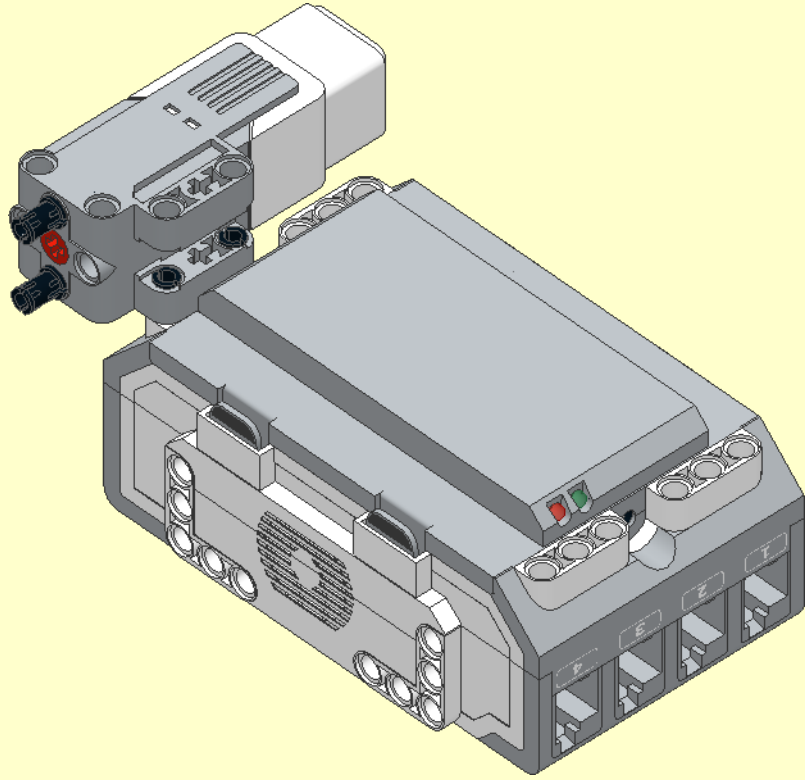


2

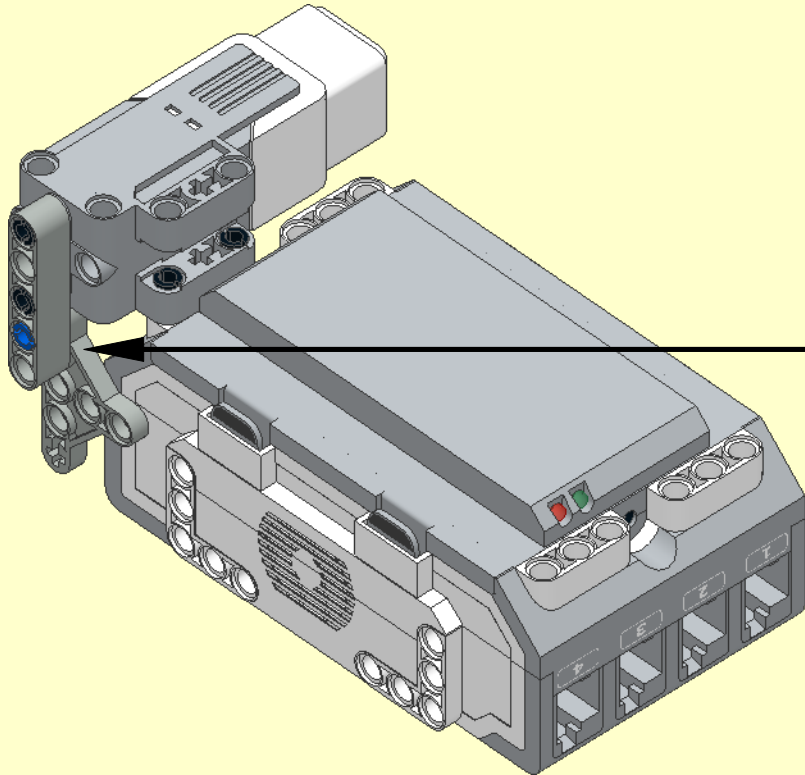
1x



3



4



1



1x

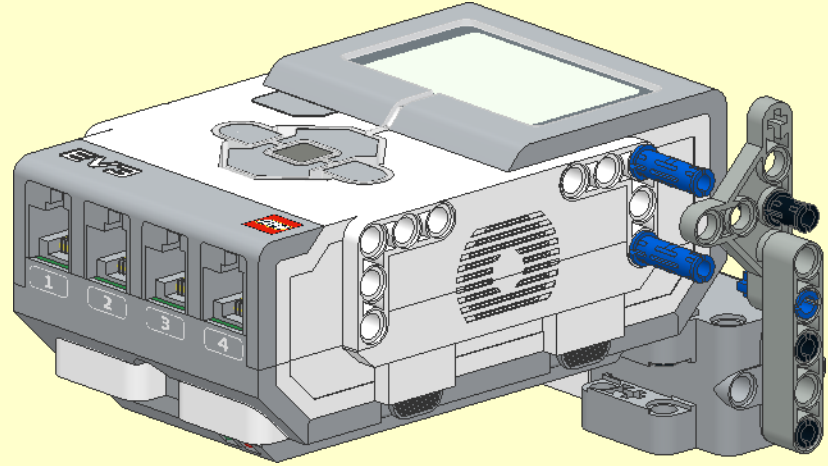
5

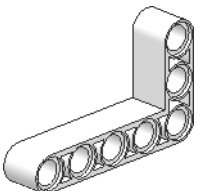
1x

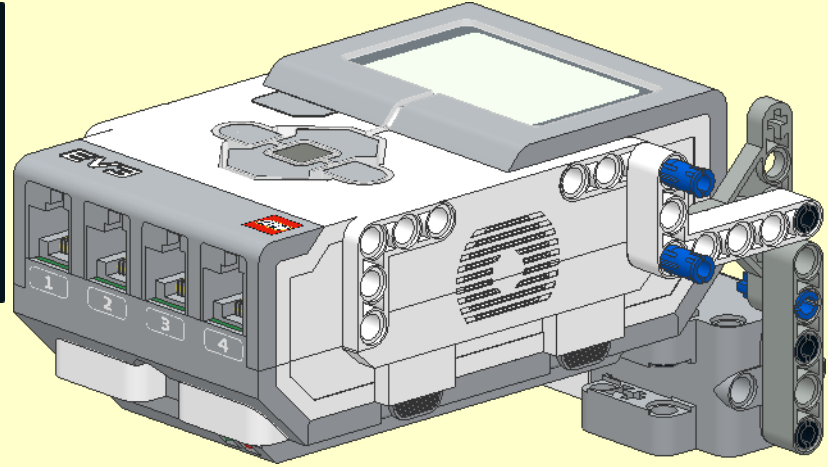
2


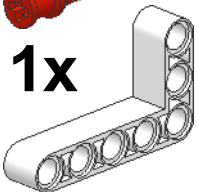
1x

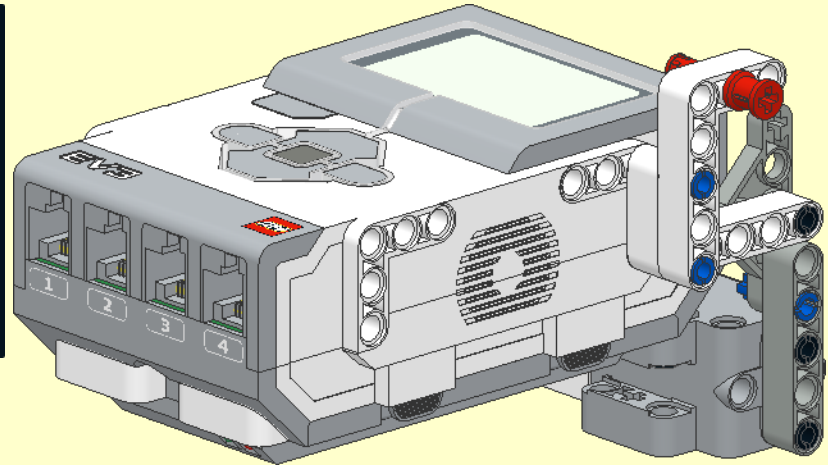
- 5**
- 1x 
 - 2x 



- 6**
- 1x 

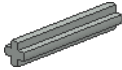


- 7**
- 1x 
 - 1x 

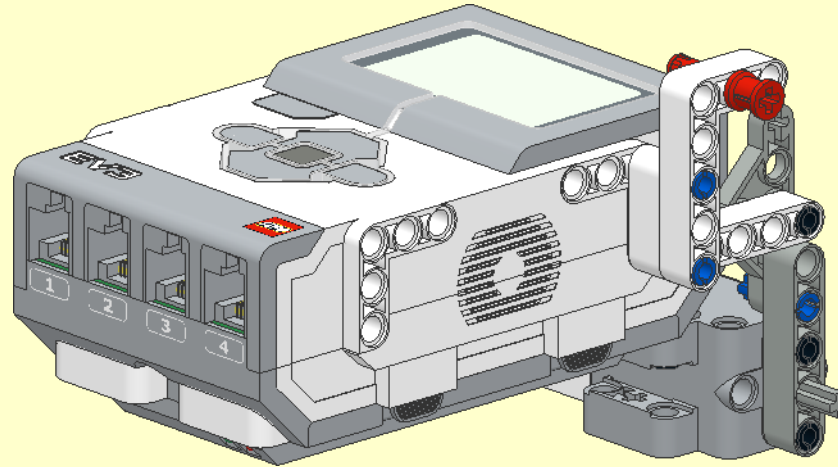


8


3



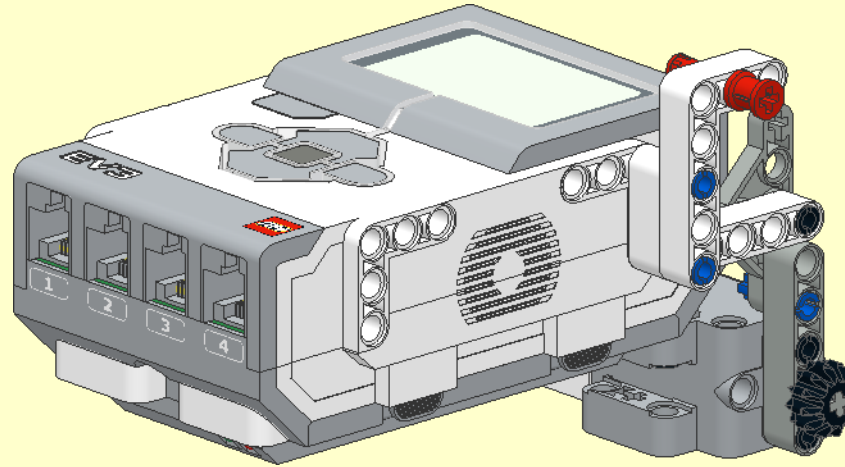
1x



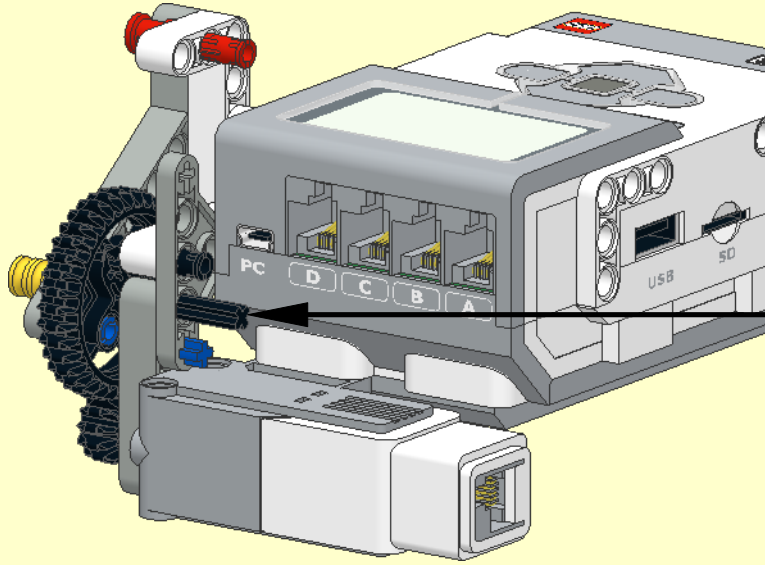
9





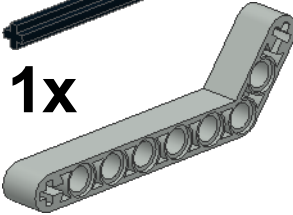
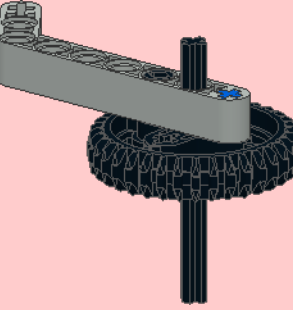

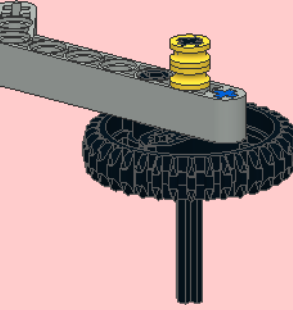


1x



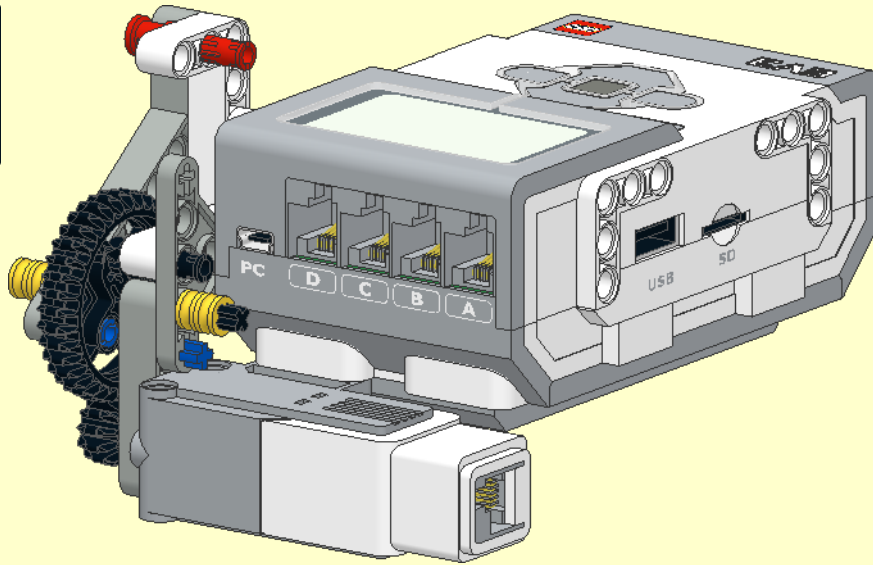
10

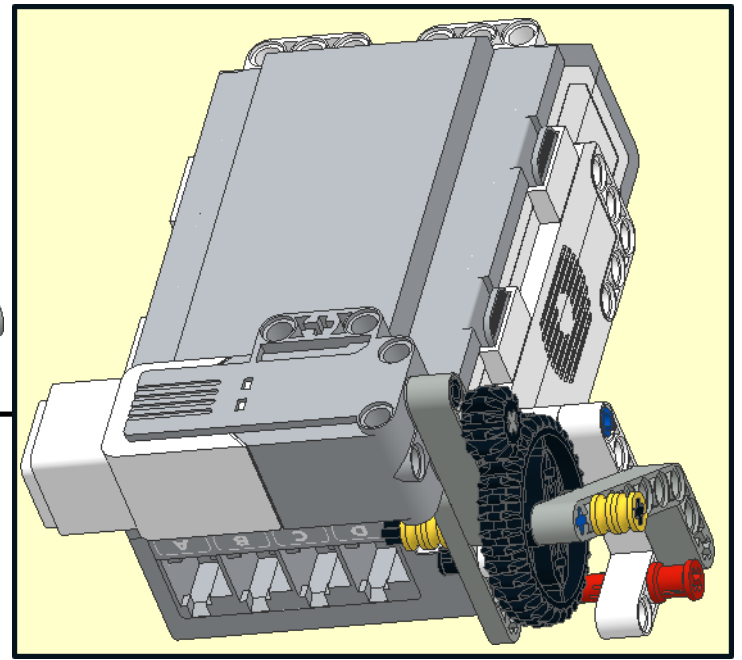
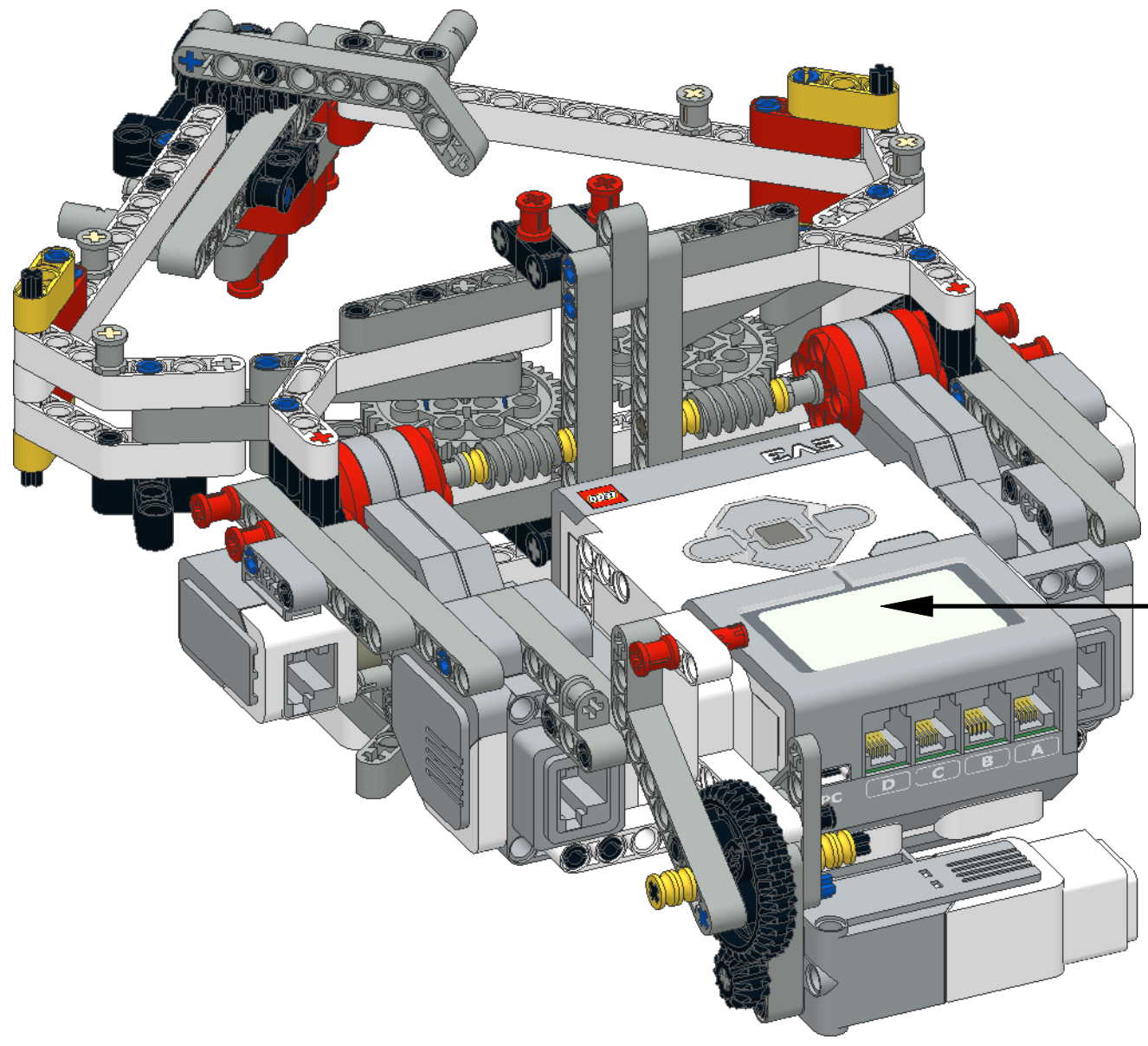


1 1x  1x  1x 	2 6  1x  1x 	3  2x 
---	--	---

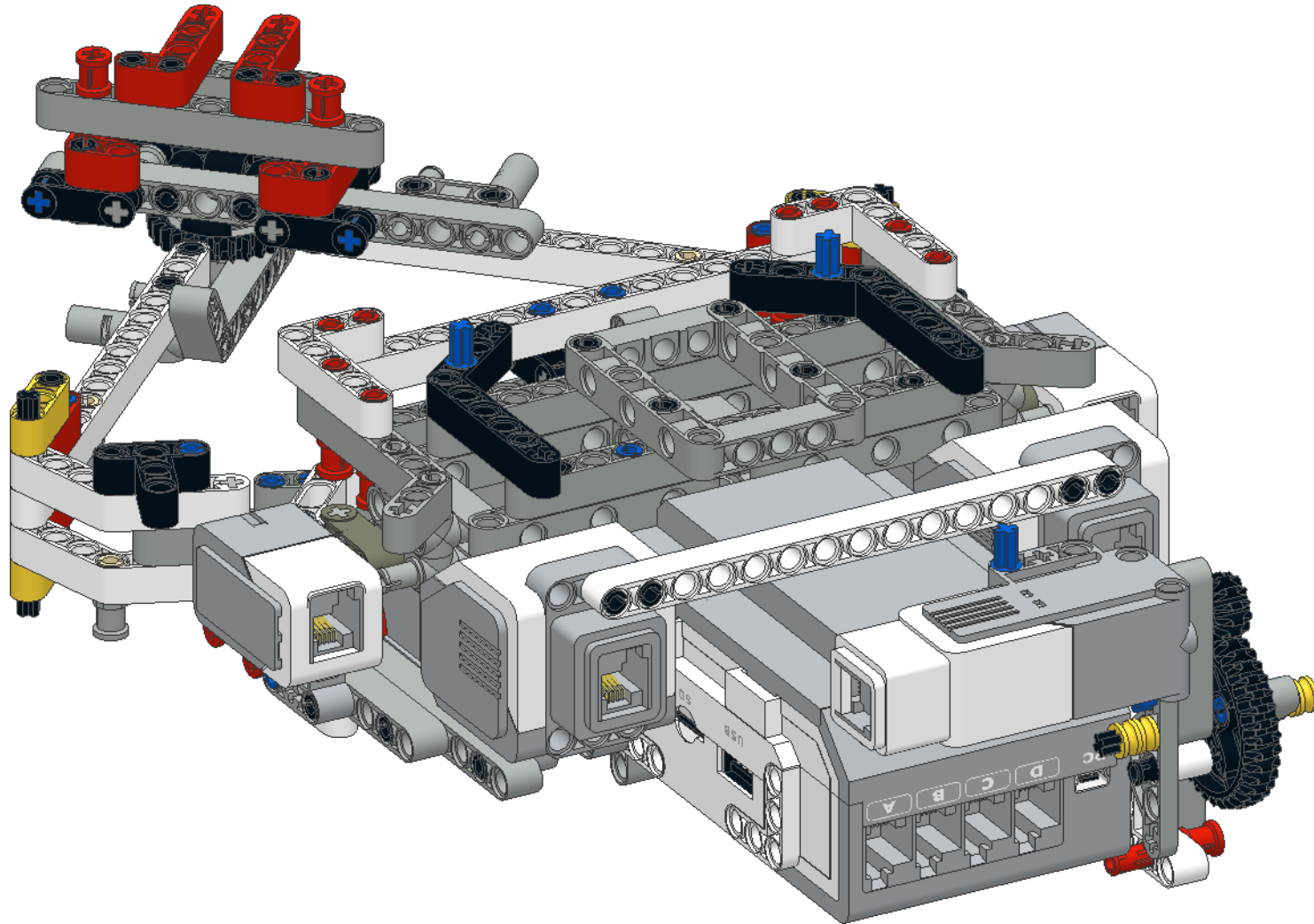
11


2x

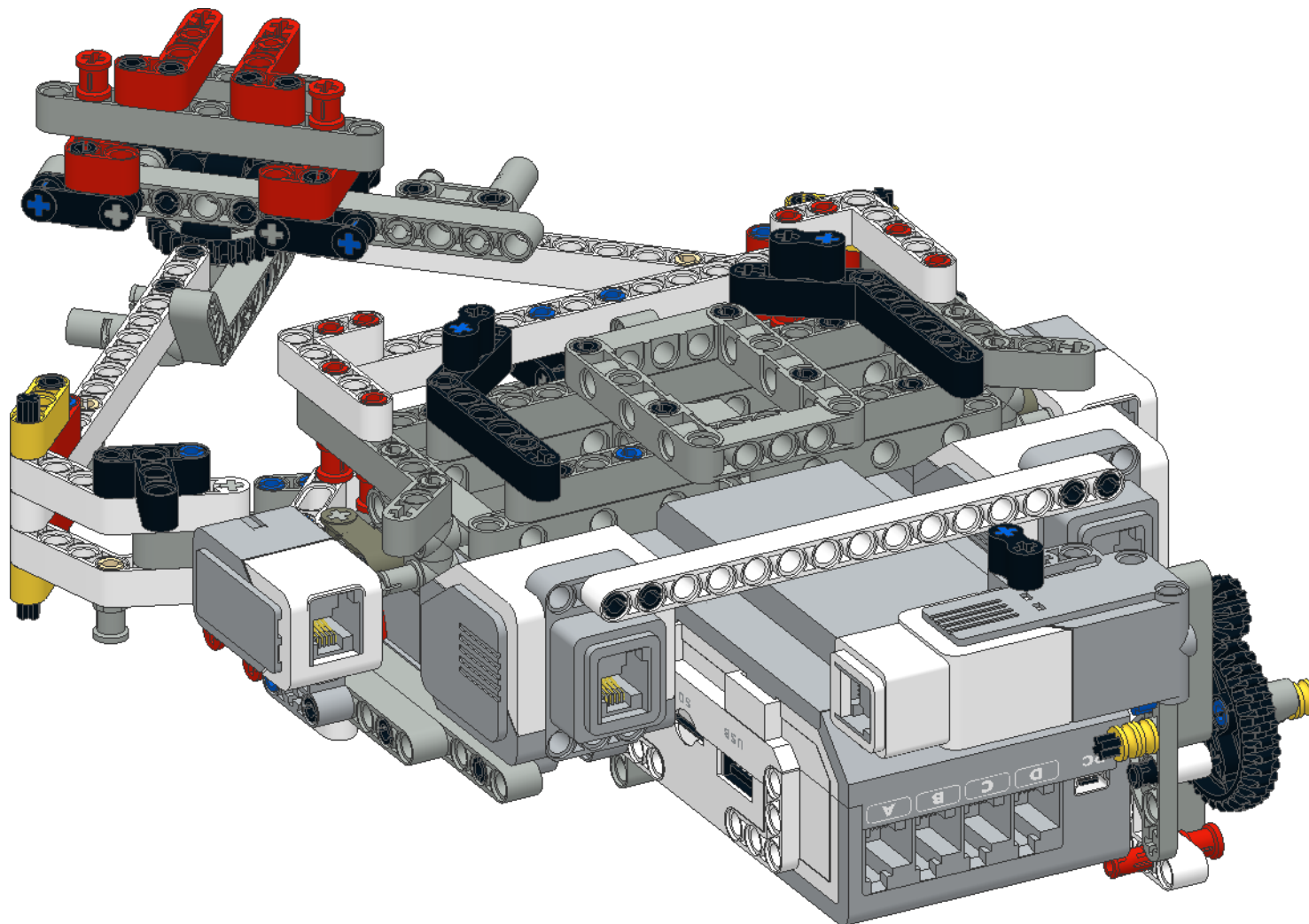




51

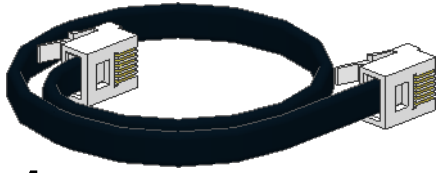


52

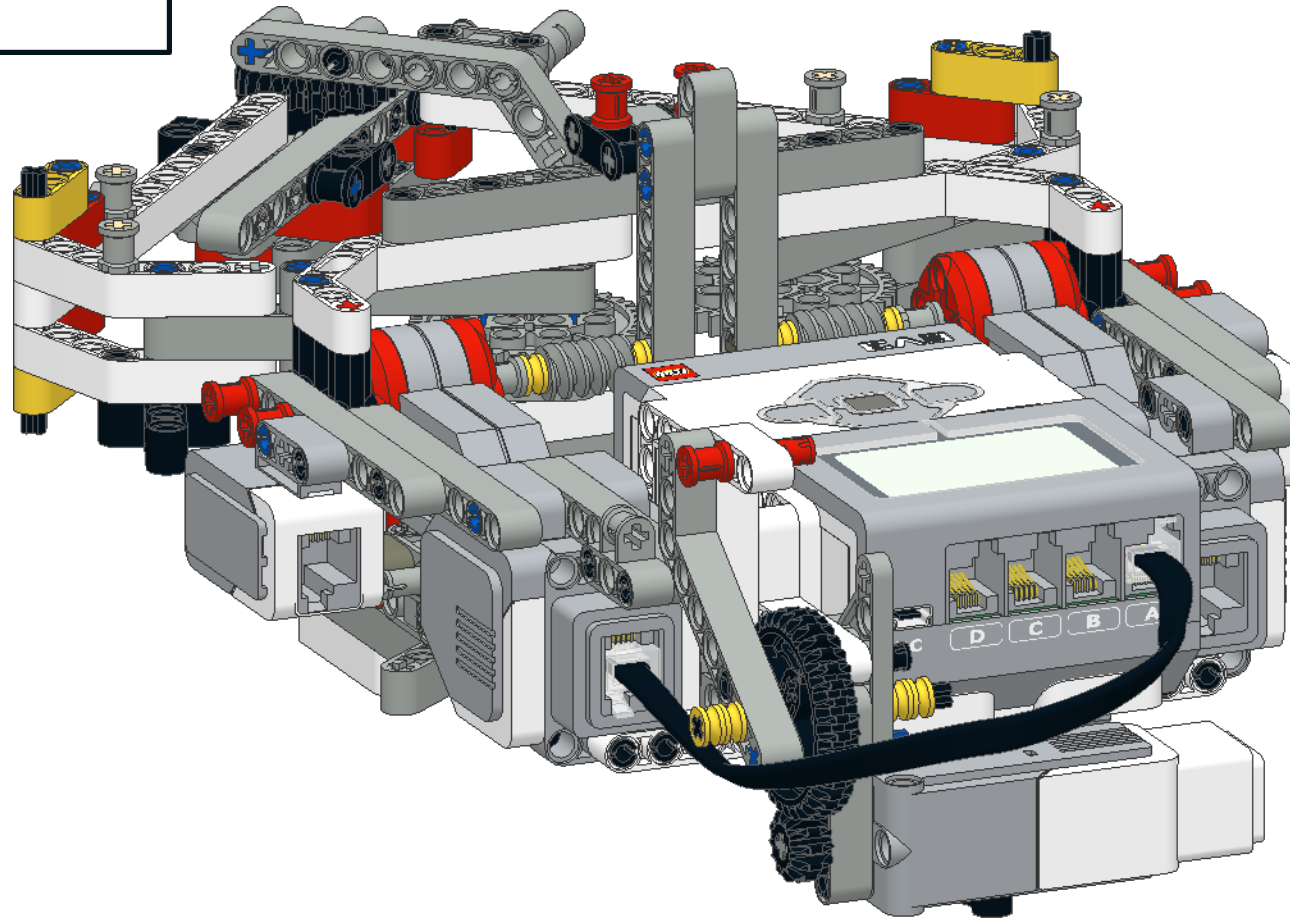


53

25 cm



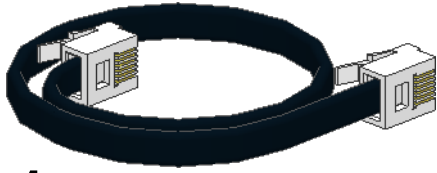
1x



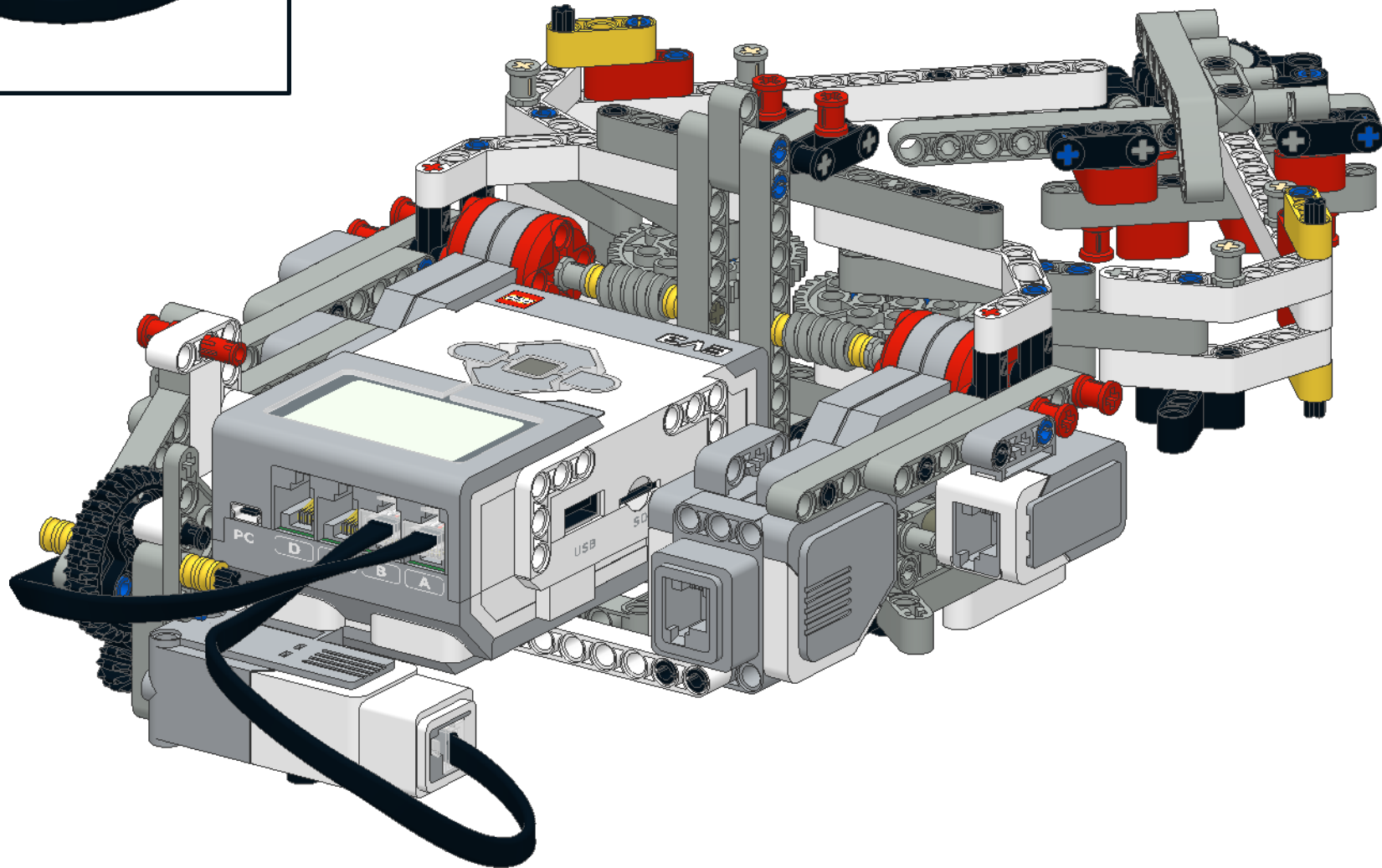
A

54

25 cm



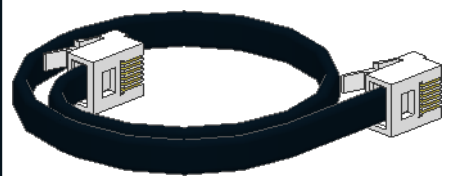
1x



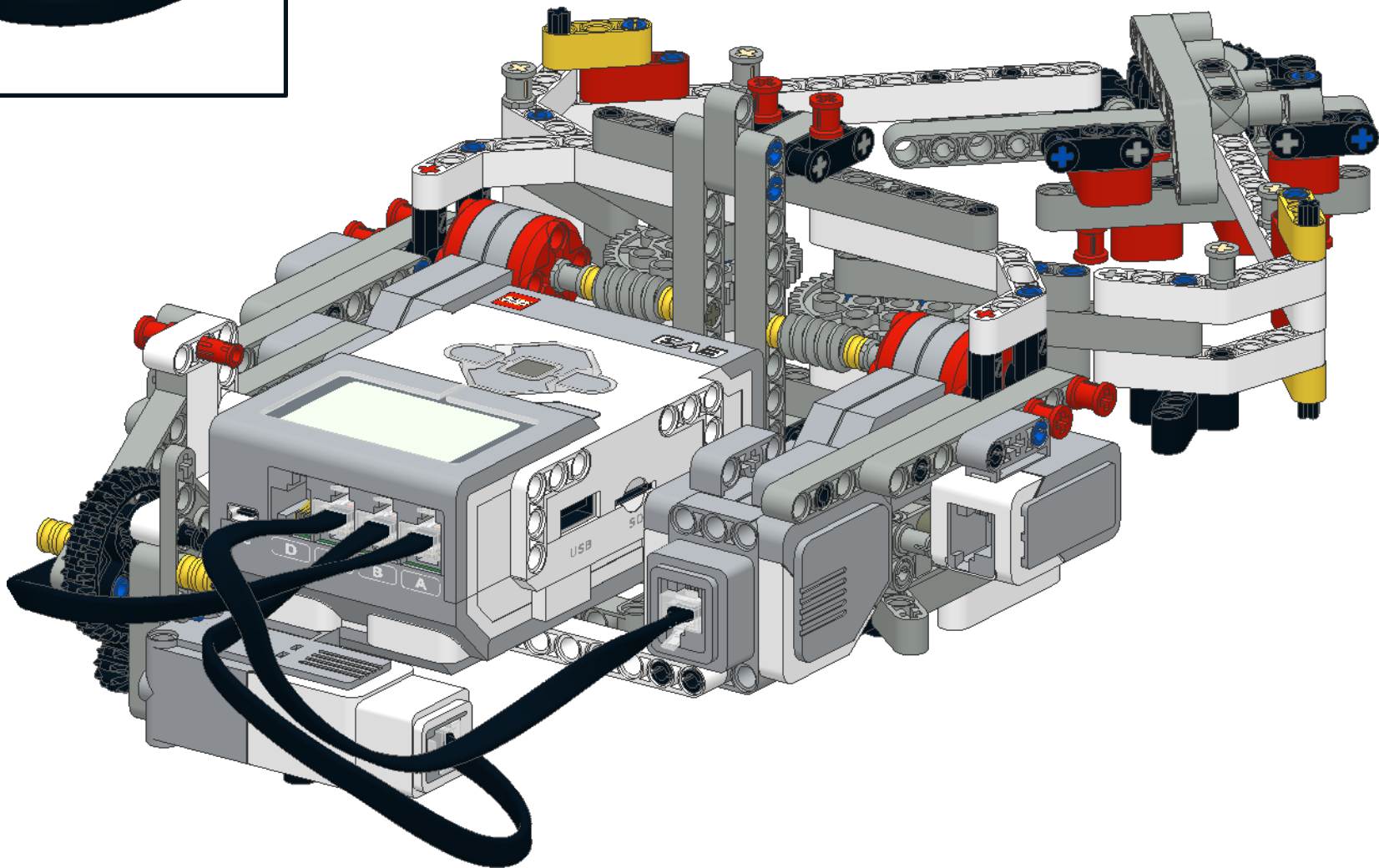
B

55

25 cm



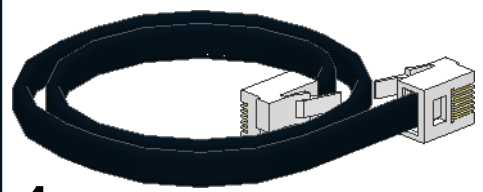
1x



C

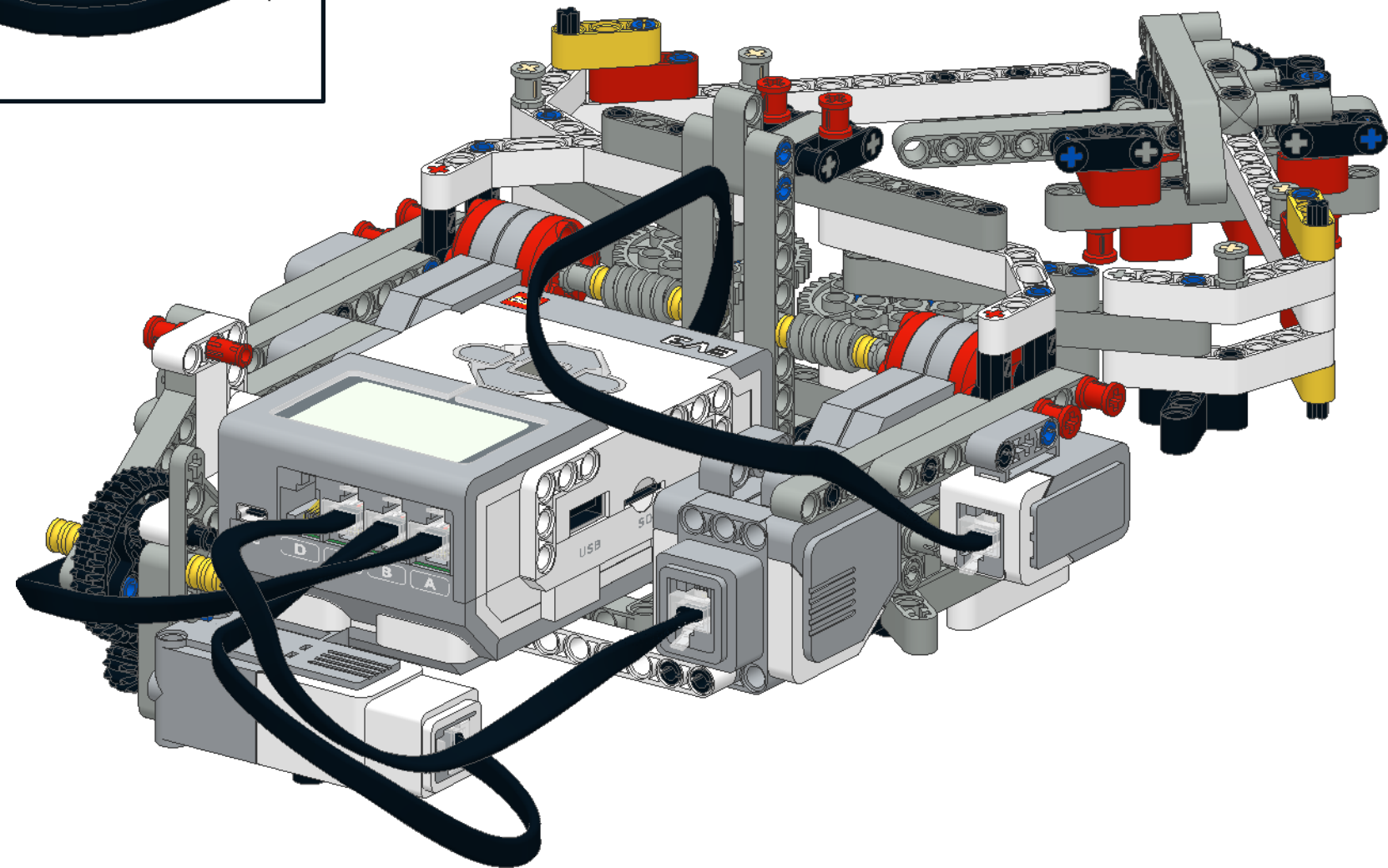
56

35 cm



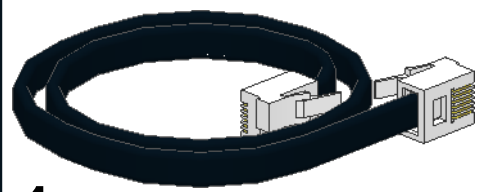
1x

3



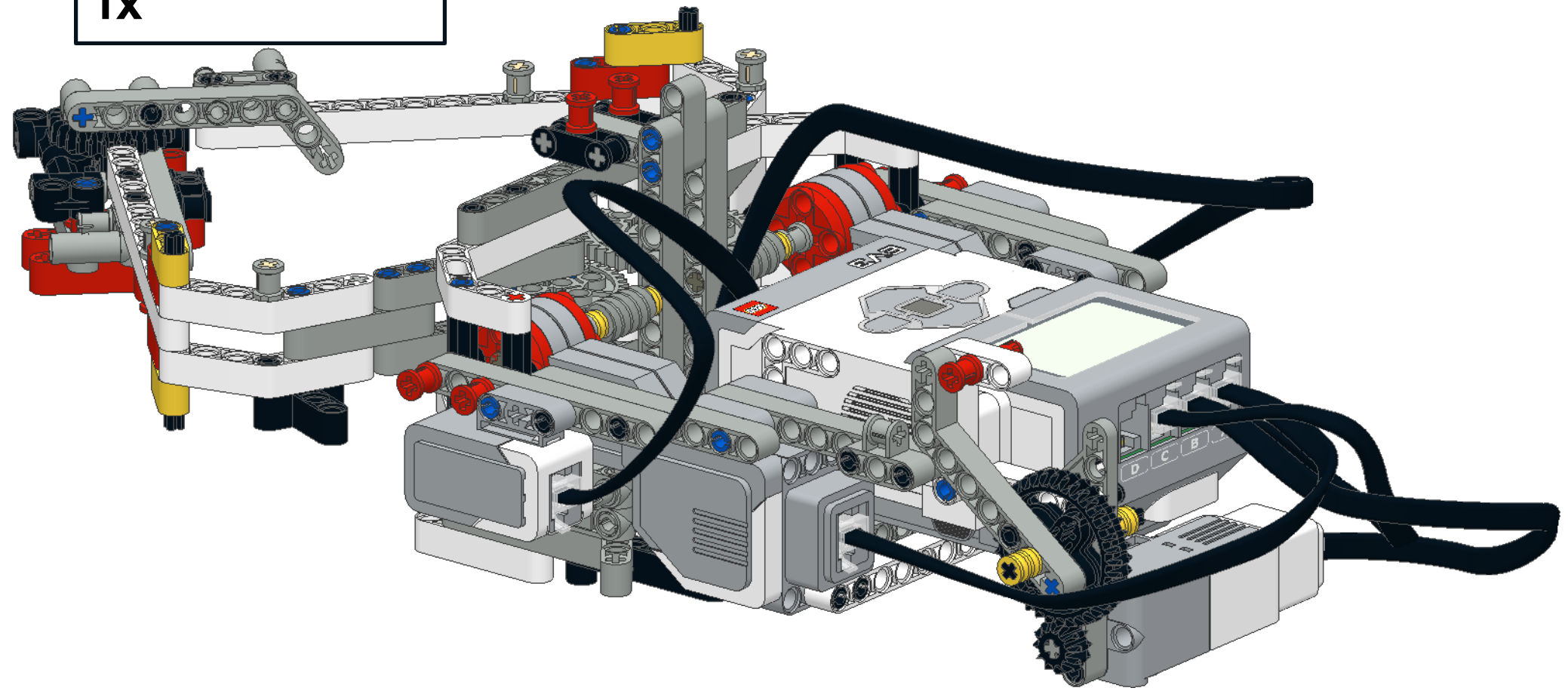
57

35 cm

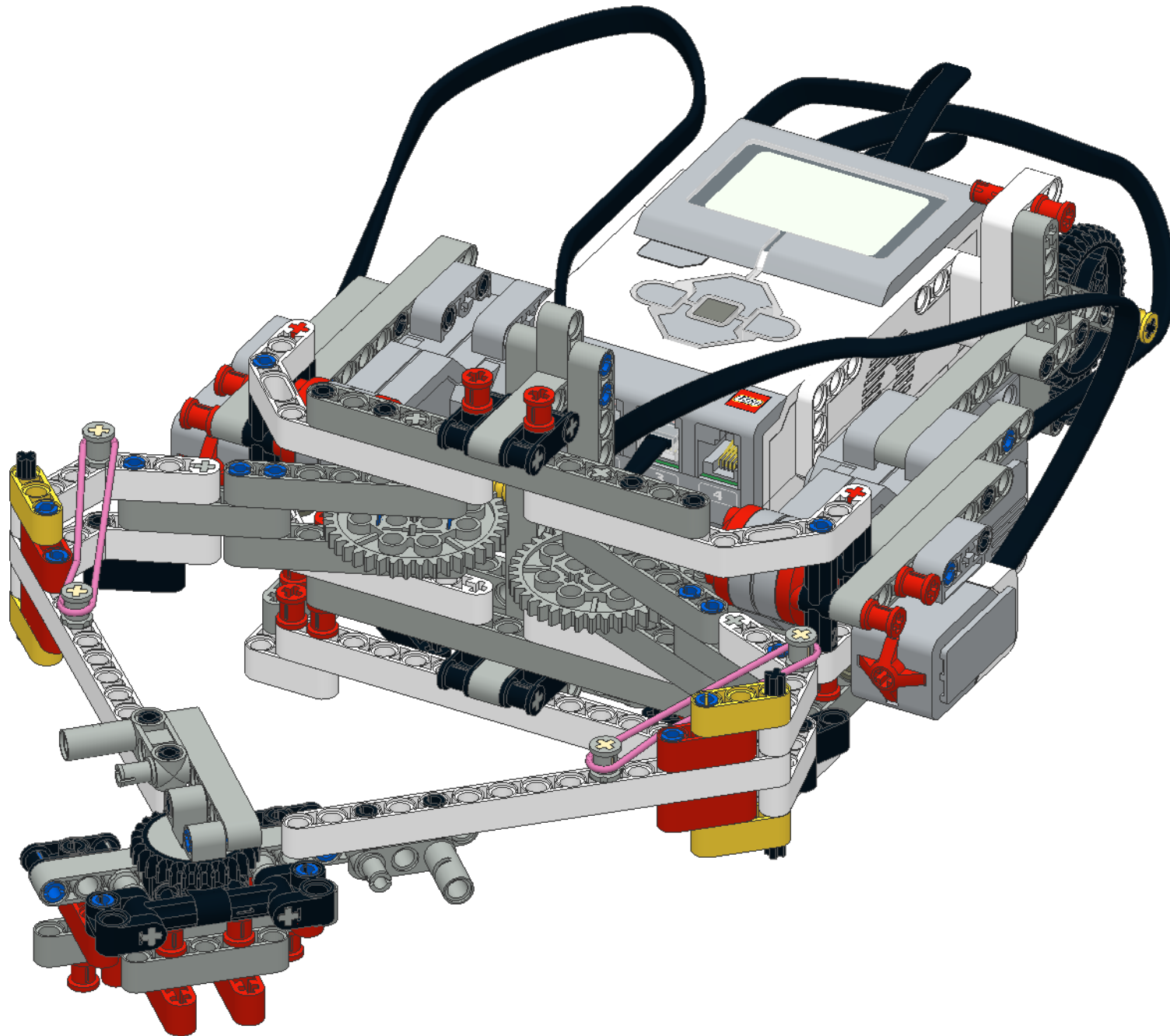
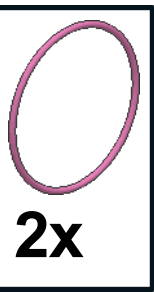


1x

2



58



59

